



SPEED
CHAMPIONS

76911





Get excited about our new packaging!

We're switching from plastic to paper-based packaging. That's why you might find a mix of paper and plastic in our boxes!

Nos nouveaux emballages vous emballeront !

Nous passons des emballages en plastique aux emballages à base de papier. C'est pourquoi vous pourriez trouver un mélange de papier et de plastique dans nos boîtes !

¡Te presentamos nuestros nuevos empaques!

Estamos sustituyendo las bolsas de plástico por bolsas con base de papel. ¡Por eso, puedes encontrar una mezcla de papel y de plástico en nuestras cajas!

[LEGO.com/sustainable-packaging](https://www.lego.com/sustainable-packaging)



Check for compatibility
Kompatibilität prüfen
Vérifier la compatibilité
Controlla la compatibilità
Comprueba tu compatibilidad
Verificar a compatibilidade
Ellenőrizd a kompatibilitást
Pārbaudīt saderību
Verificarea compatibilității
检查兼容性

LEGO.com/devicecheck

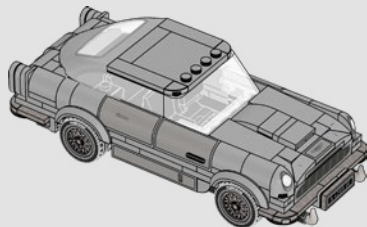
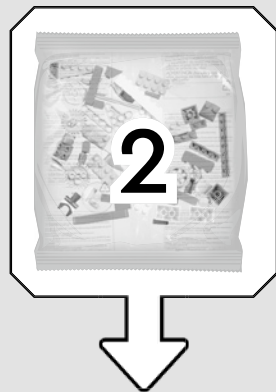
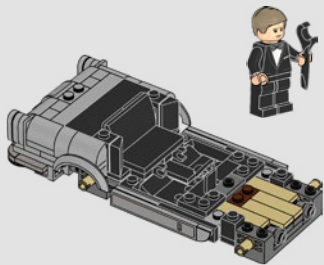
乐高®拼搭指引



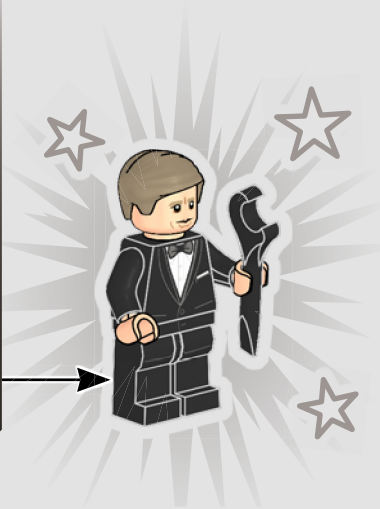
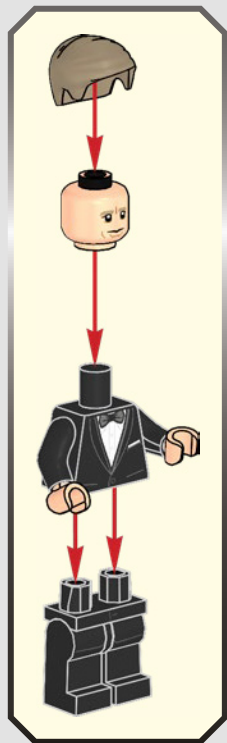
LEGO® Building Instructions

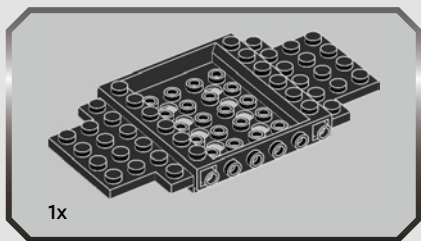
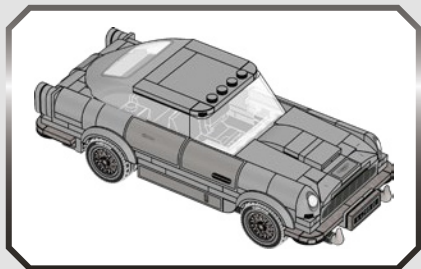


Apple and the Apple logo are trademarks of Apple Inc.
Google Play and the Google Play logo are trademarks of Google LLC.
Tencent and the Tencent logo are trademarks of Tencent Inc.

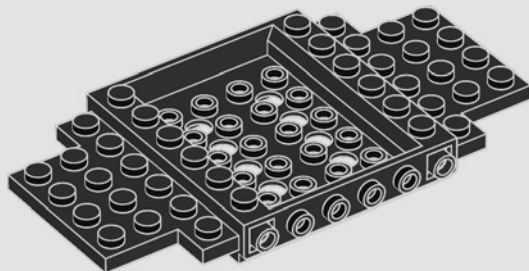


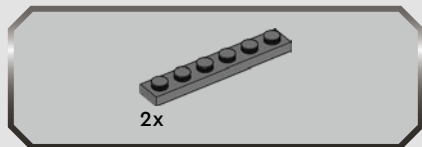




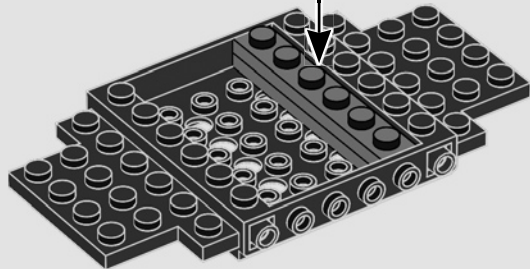
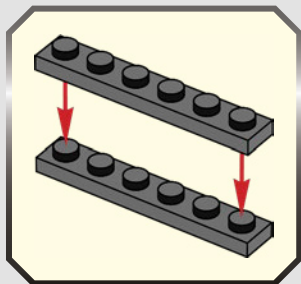


1

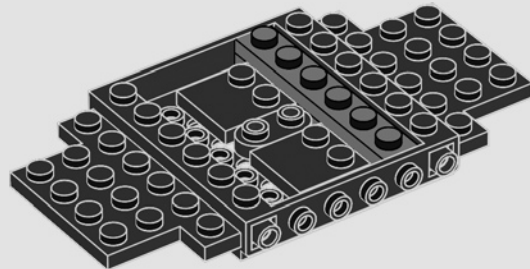


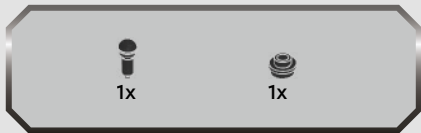


2

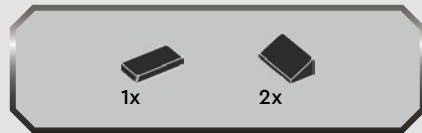
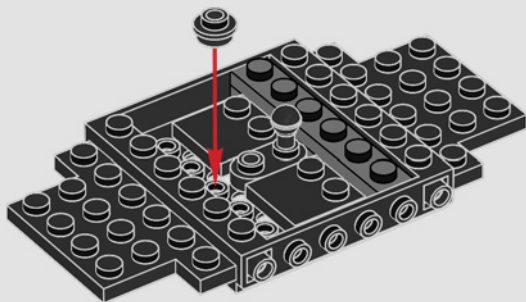


3

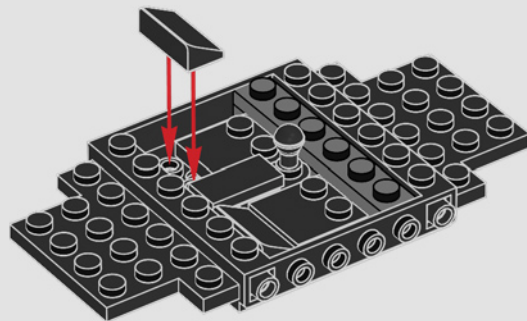


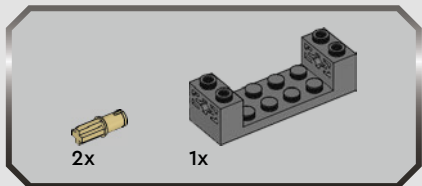


4

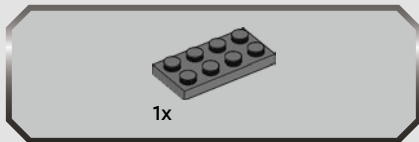
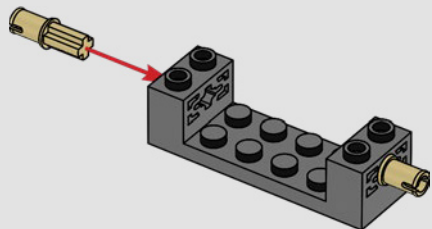


5

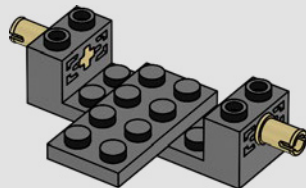




6

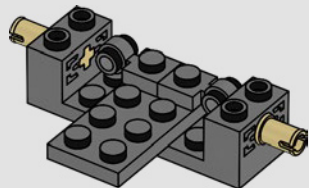


7

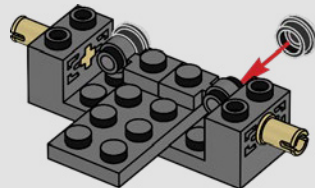




8

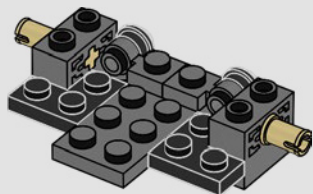


9

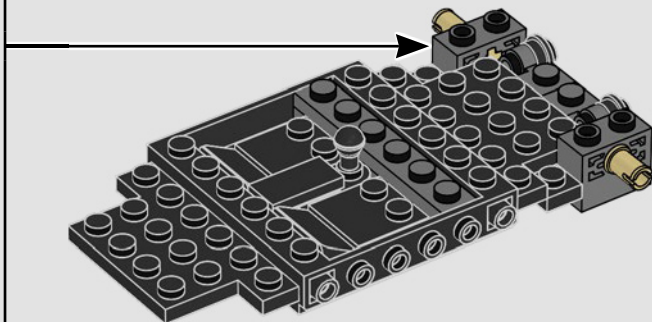




10

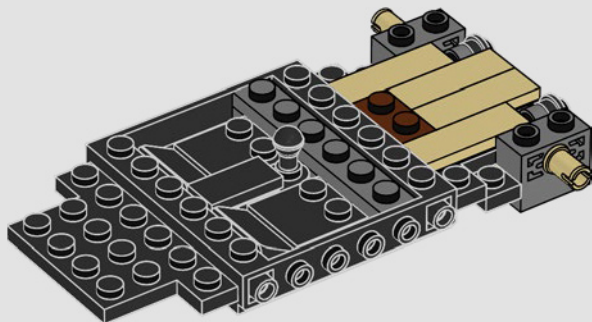


11

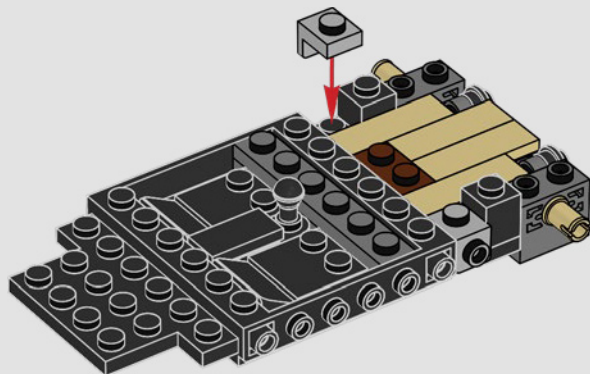


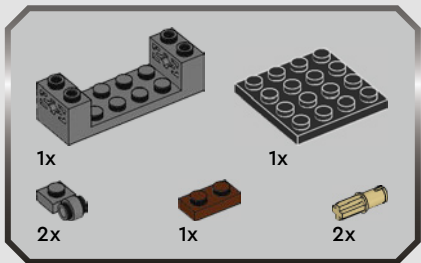


12



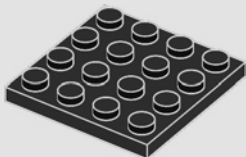
13



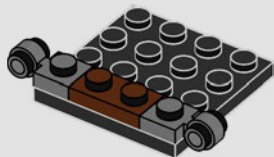


14

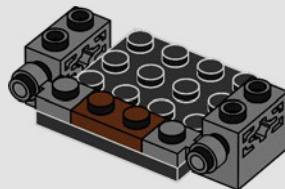
1



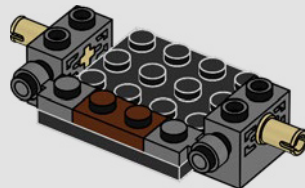
2

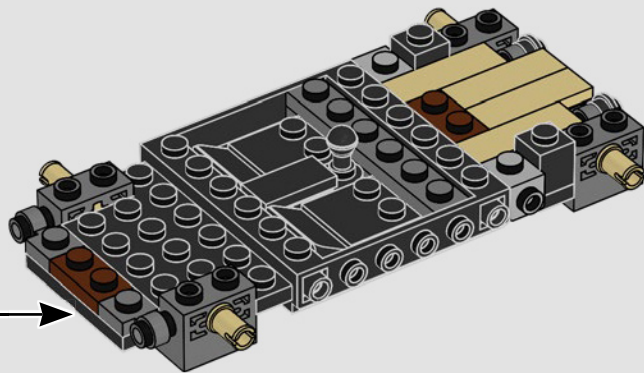


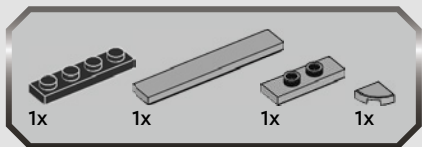
3



4

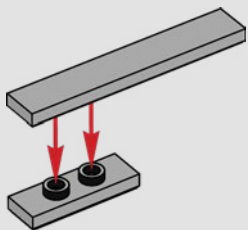




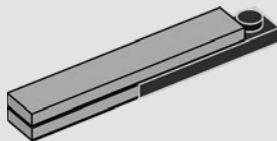


15

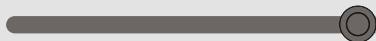
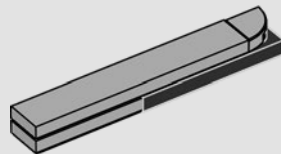
1



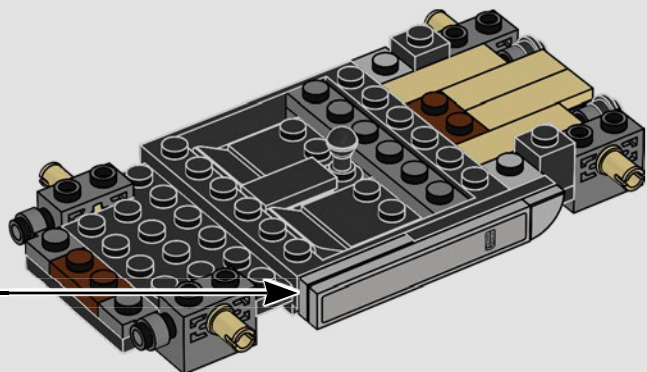
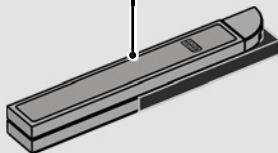
2

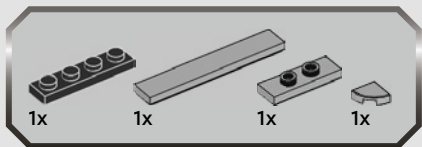


3



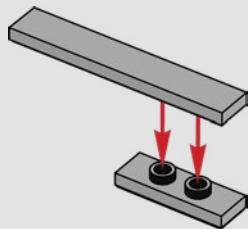
4



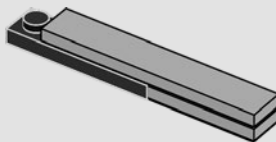


16

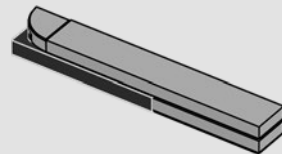
1



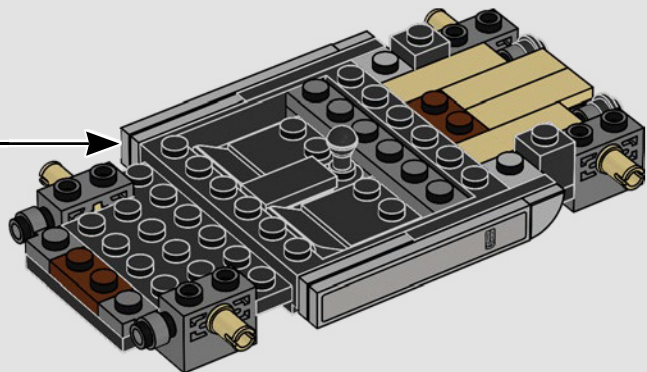
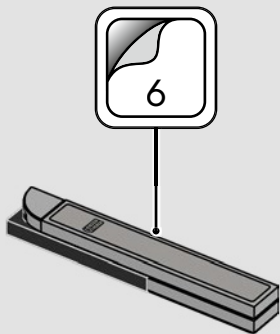
2

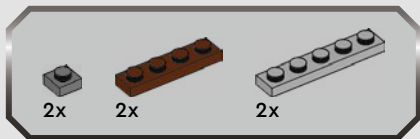


3

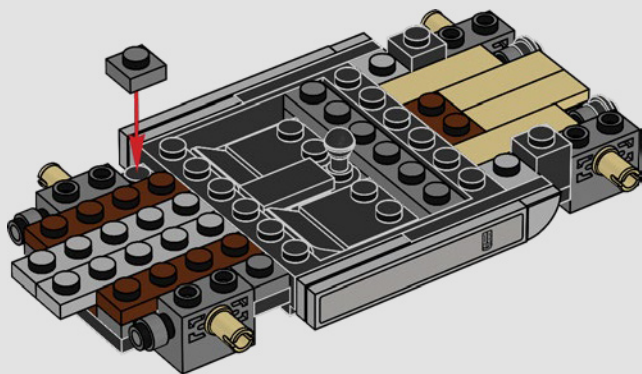


4

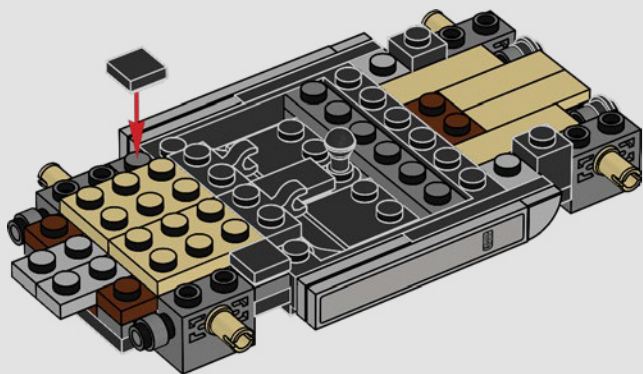


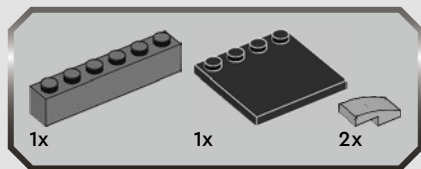


17

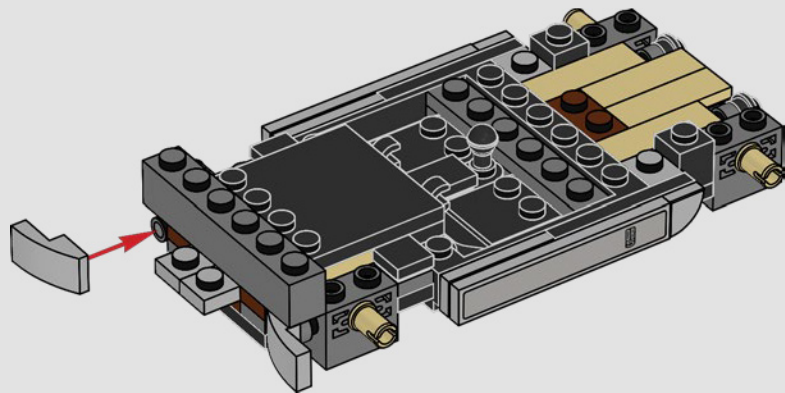


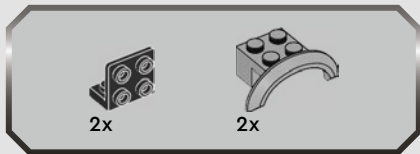
18



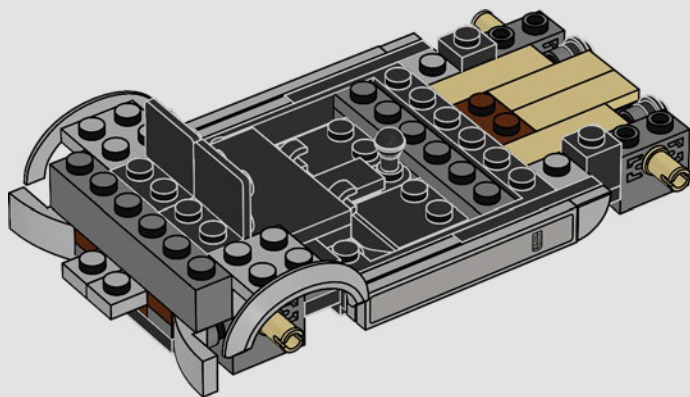


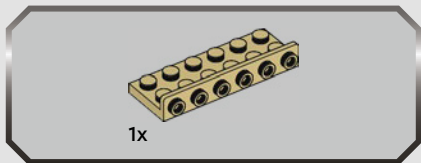
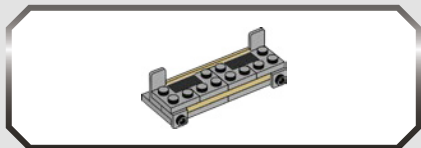
19



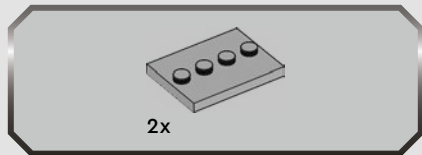
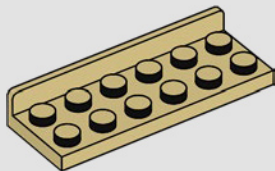


20

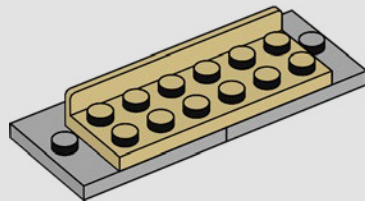


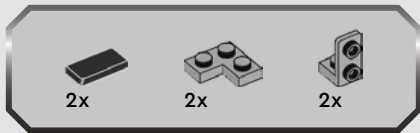


21

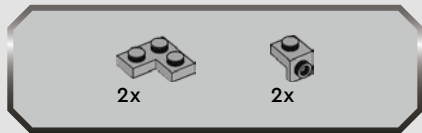
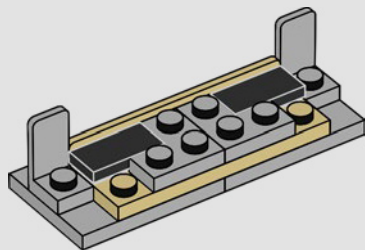


22

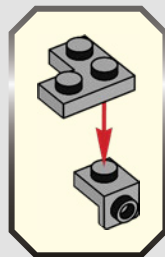
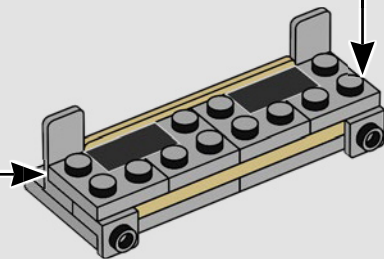
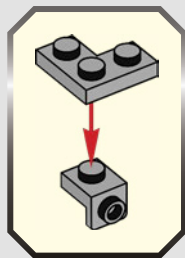




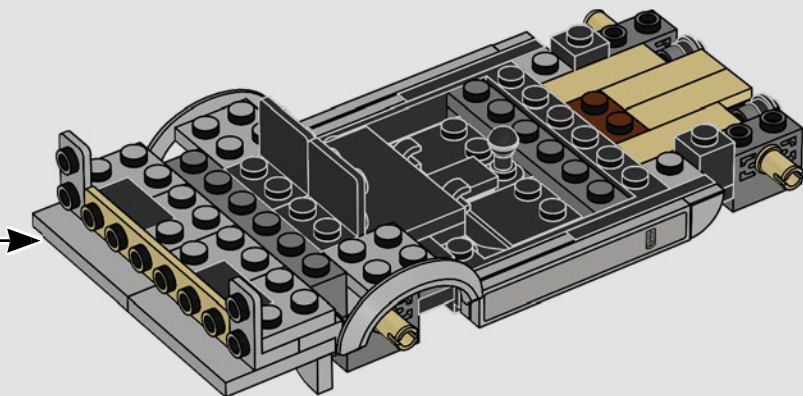
23



24

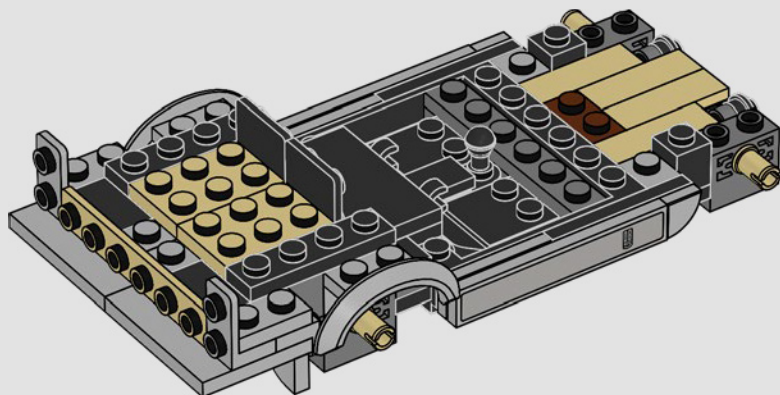


25



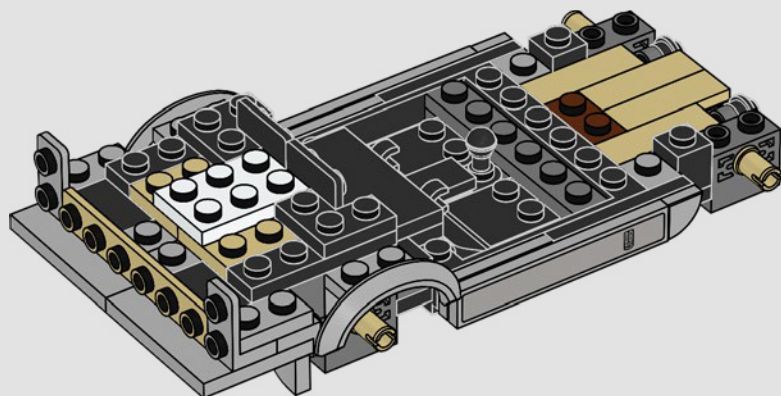


26





27



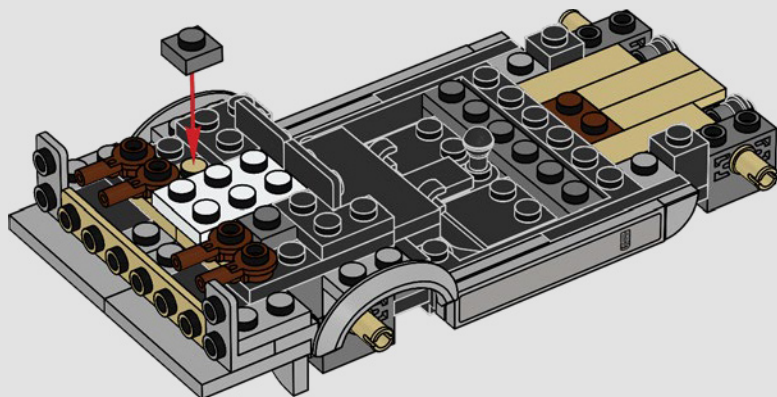


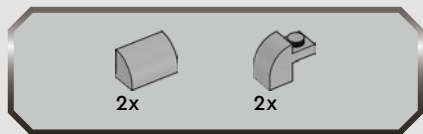
2x



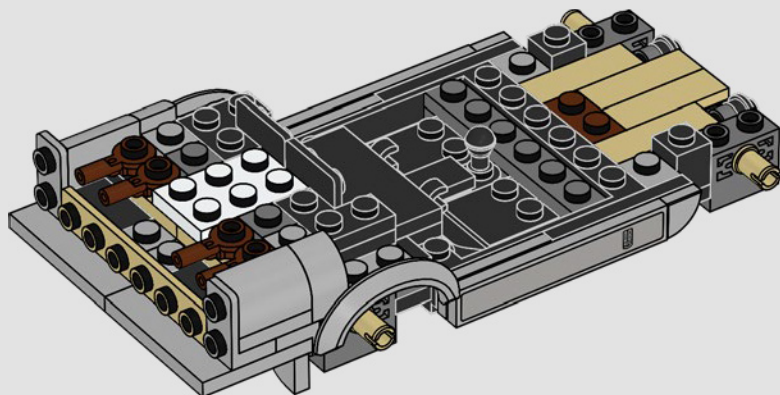
4x

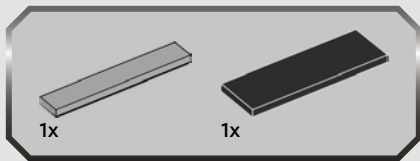
28



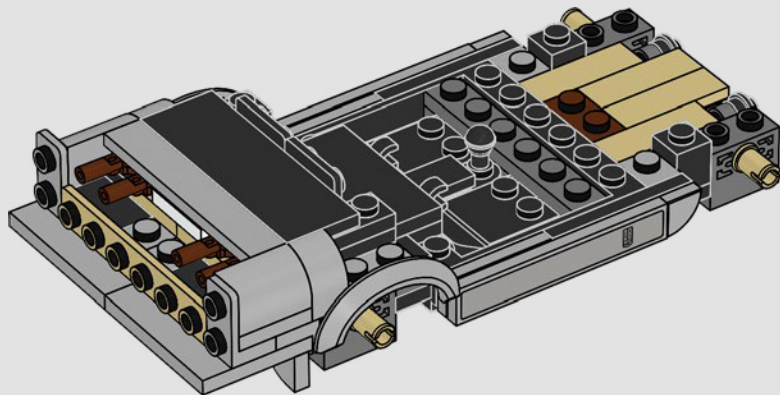


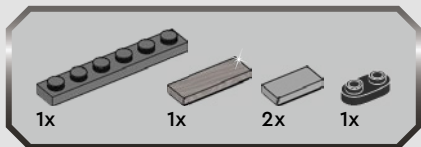
29



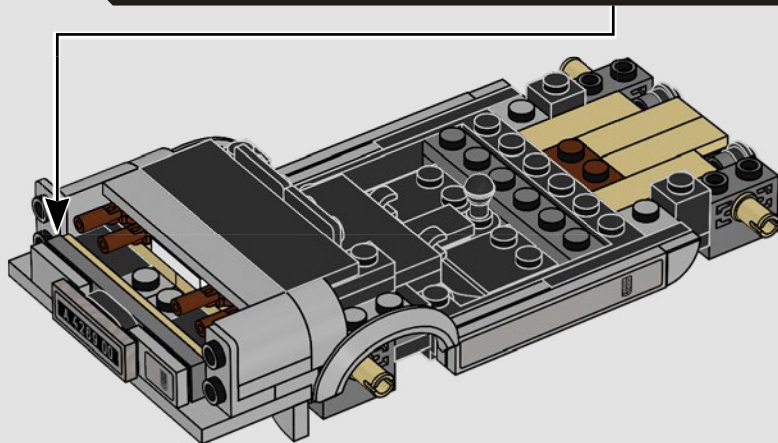
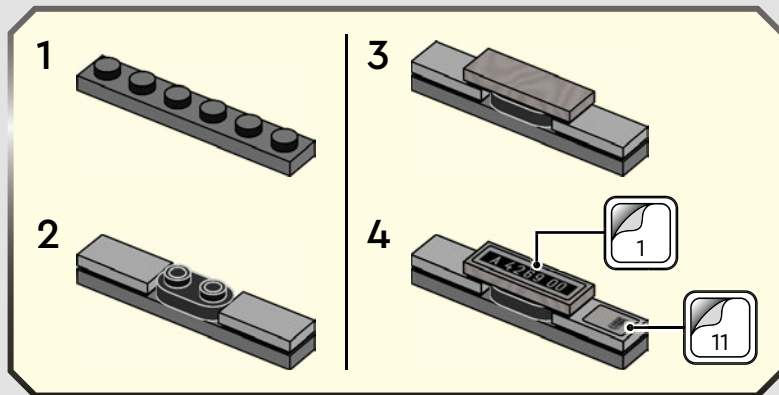


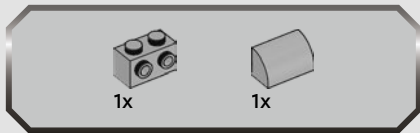
30



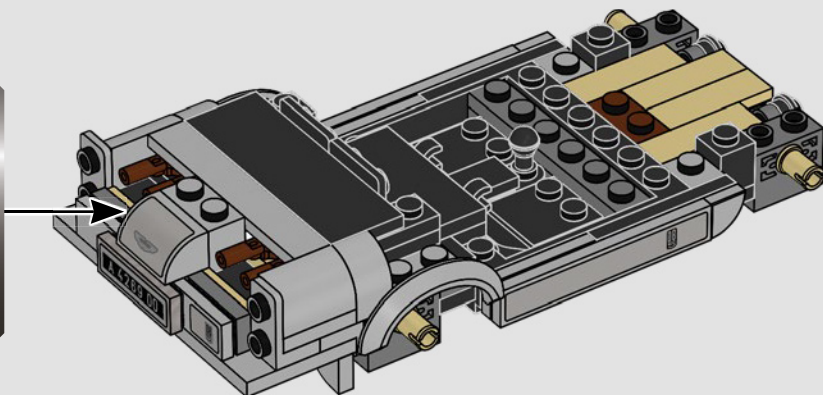
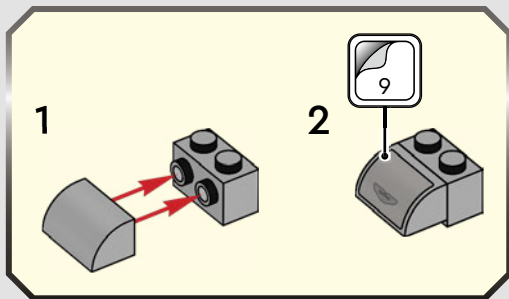


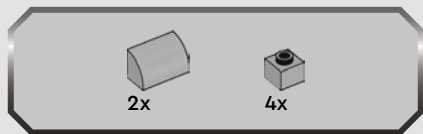
31



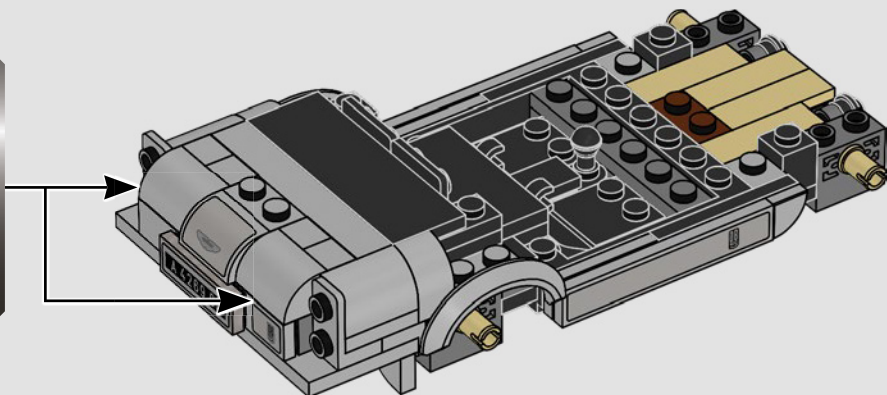
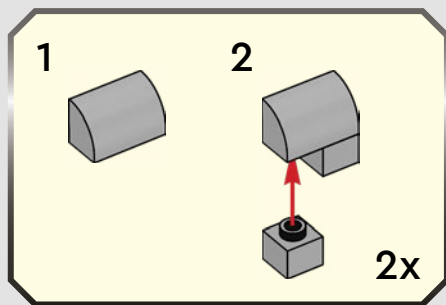


32



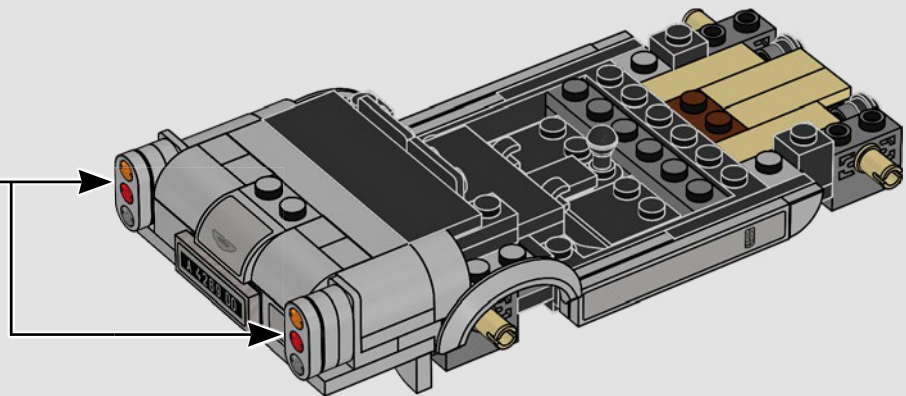
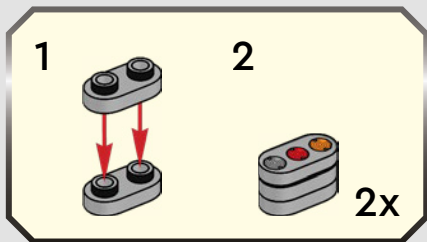


33



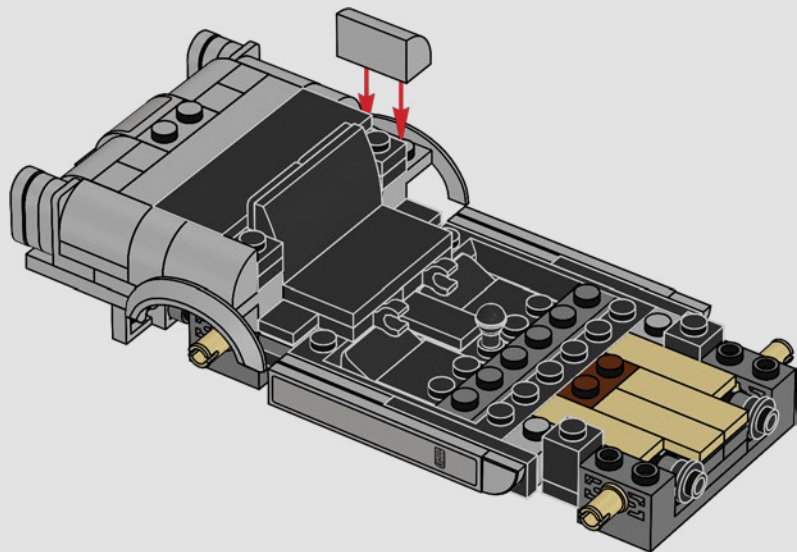


34



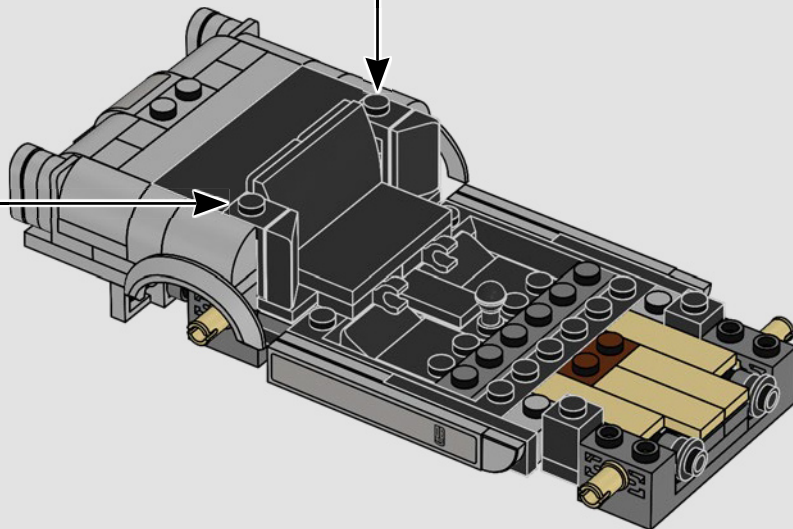
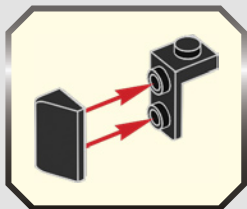
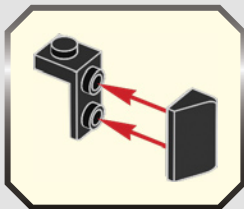


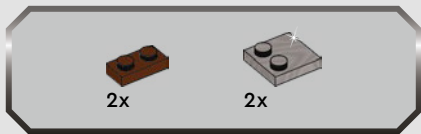
35



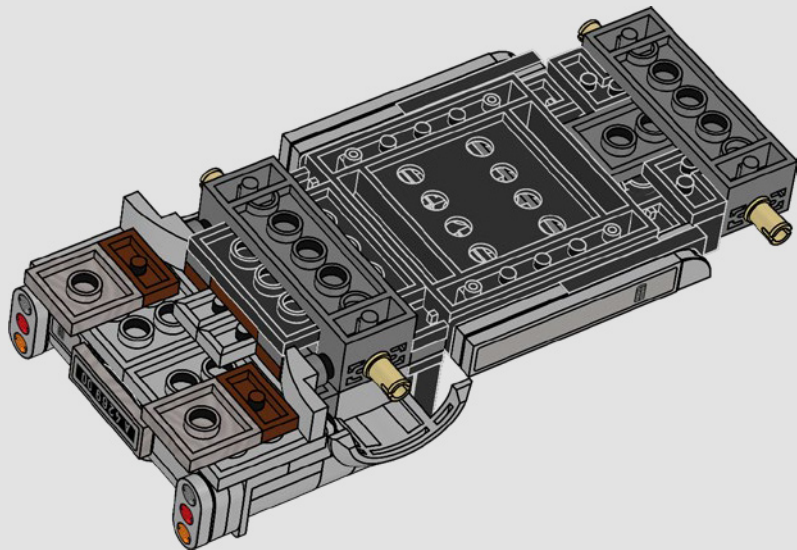


36



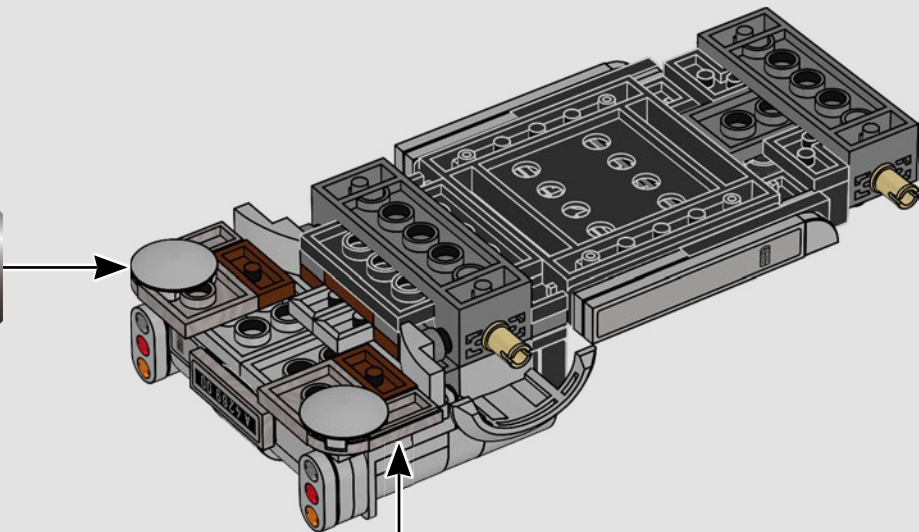


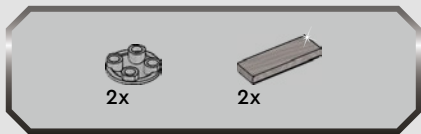
37



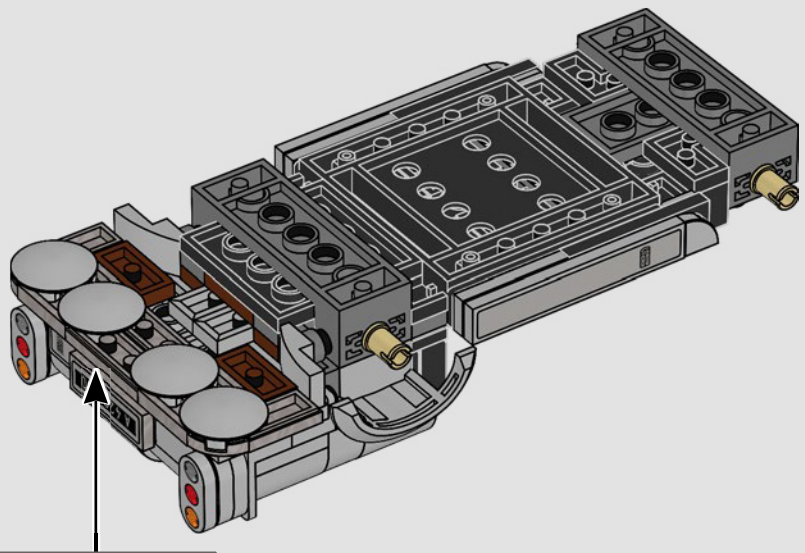


38





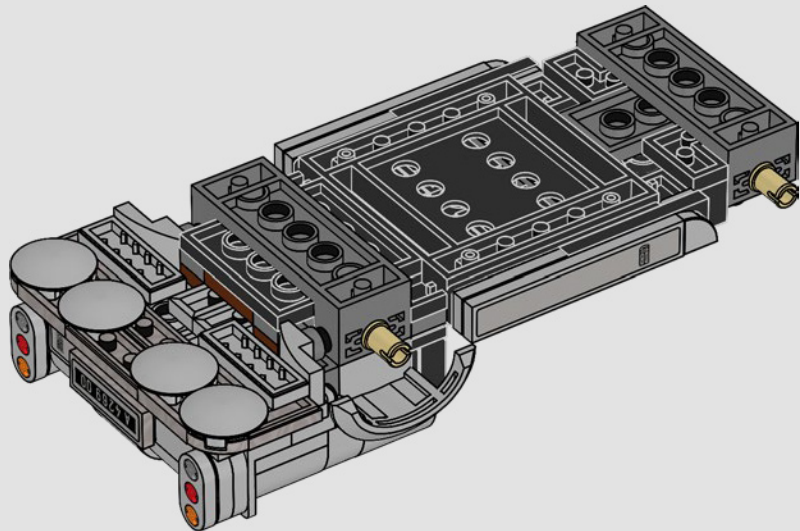
39





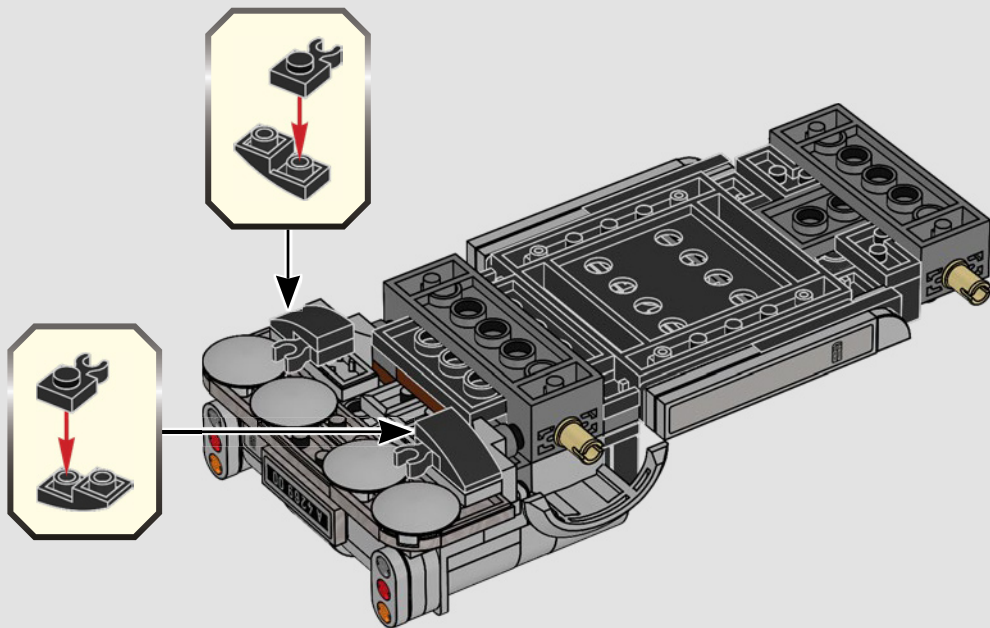
2x

40





41



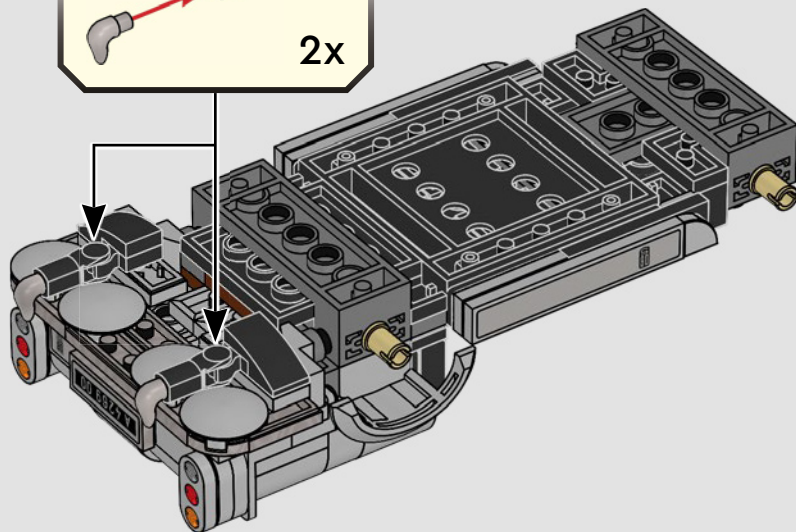
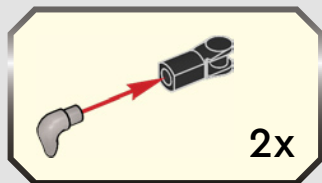


2x



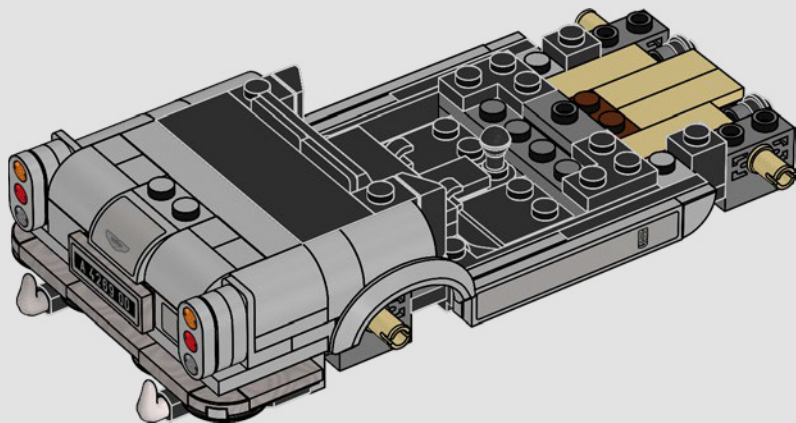
2x

42



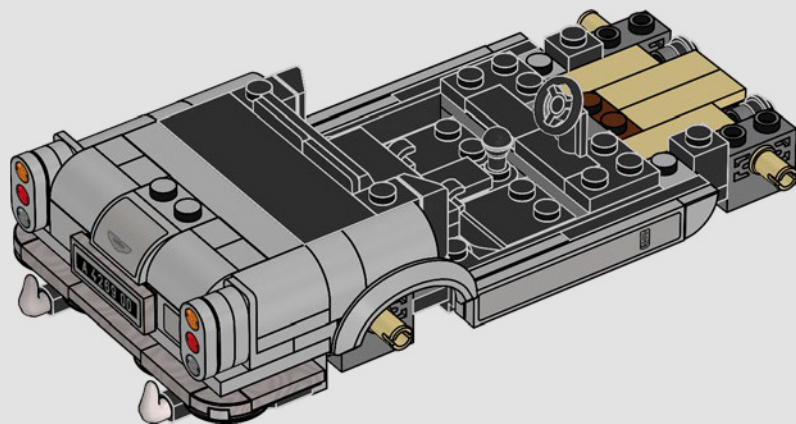


43

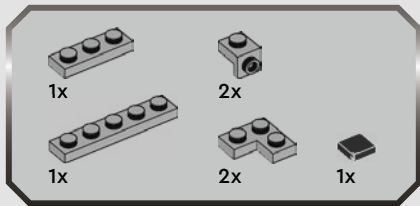




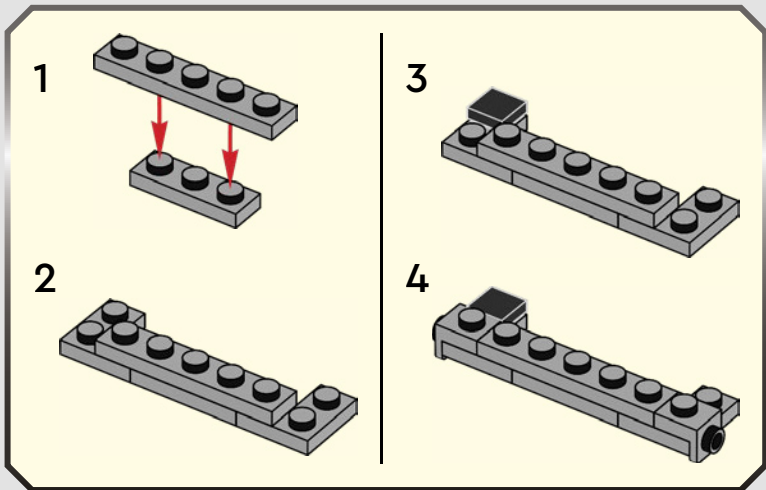
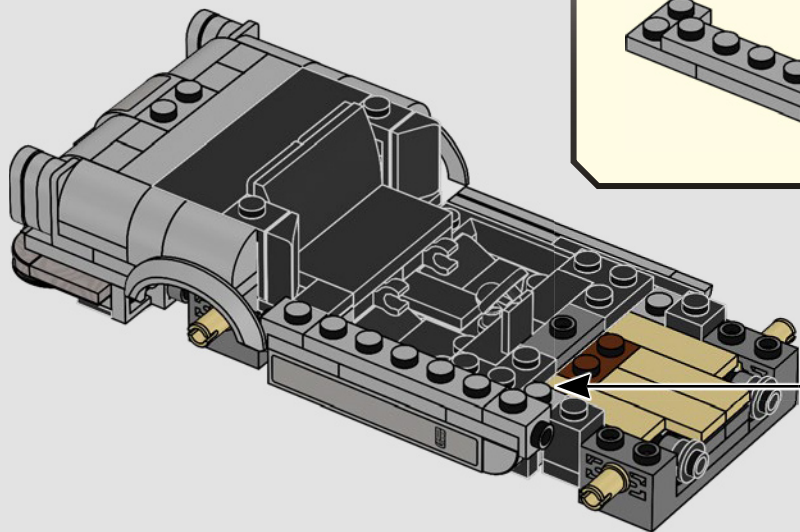
44

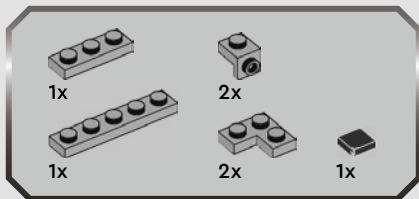




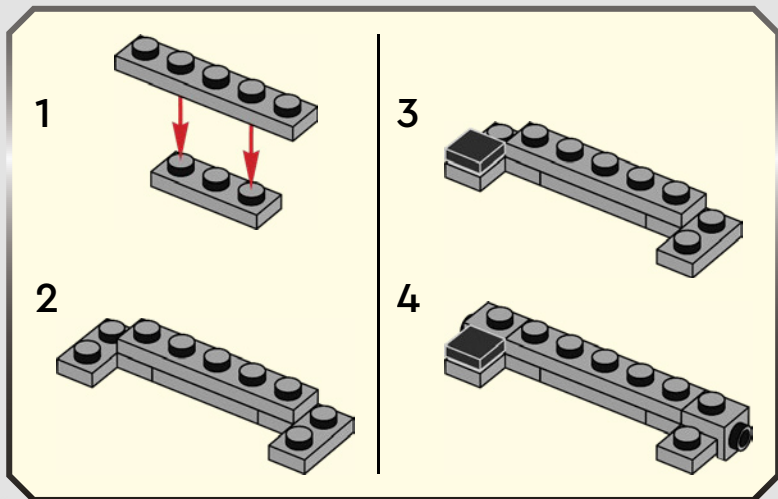
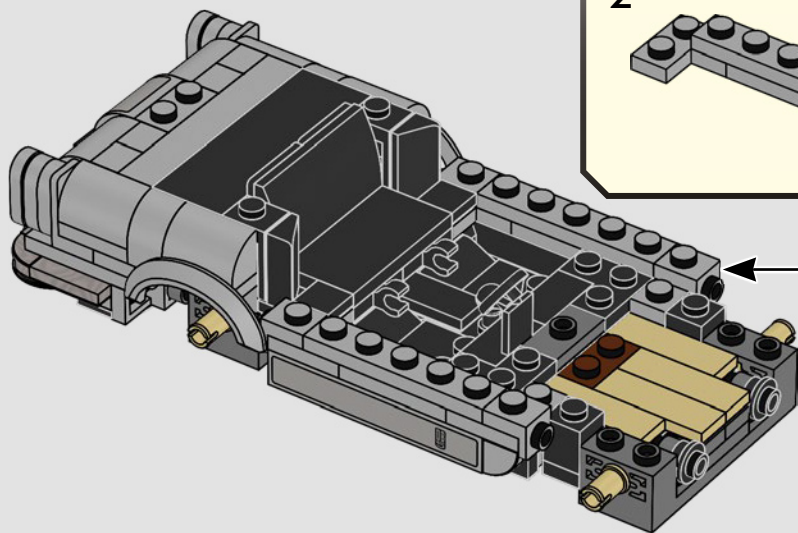


45



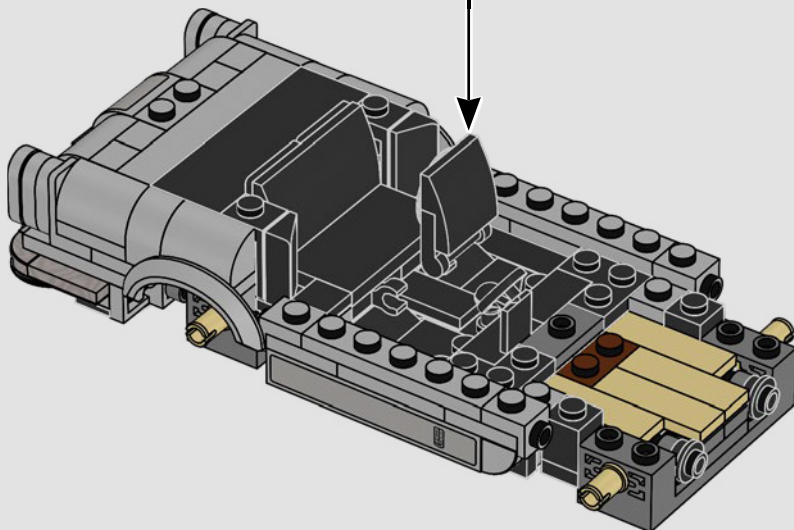
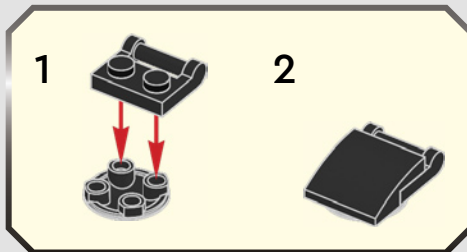


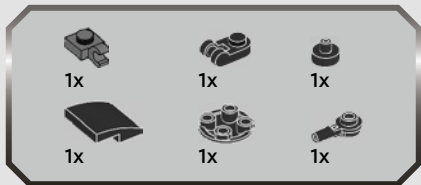
46



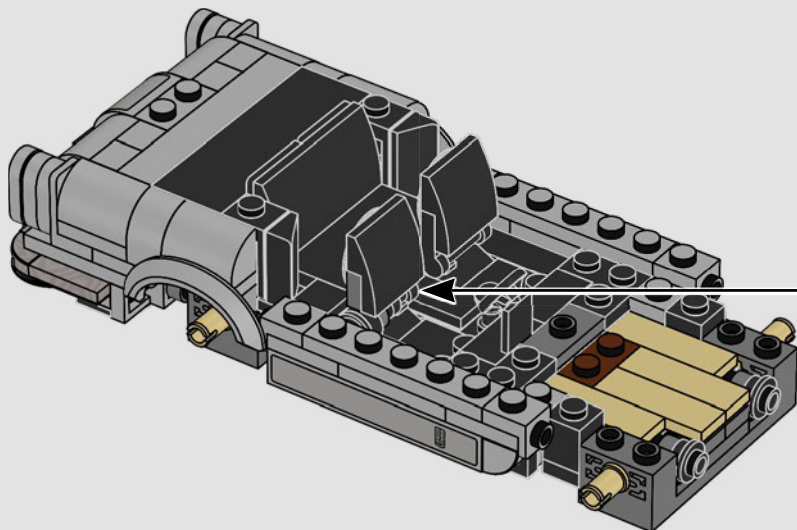
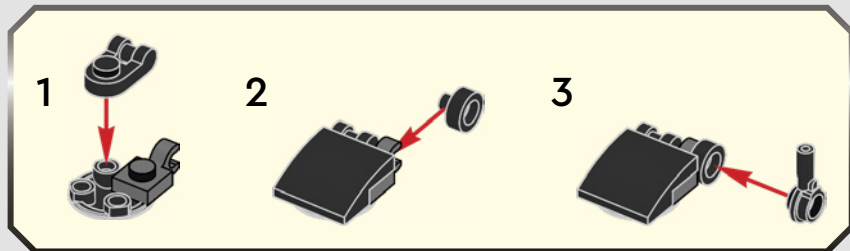


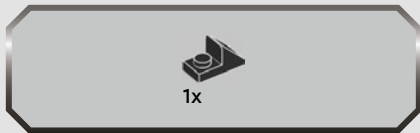
47



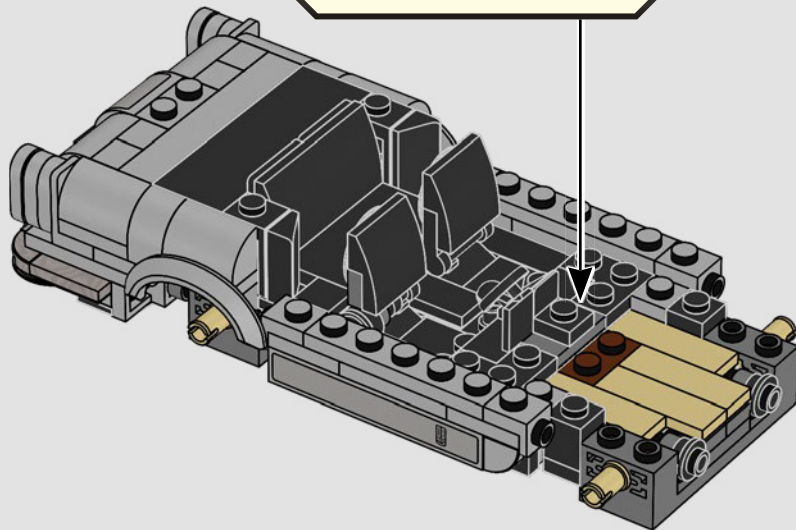
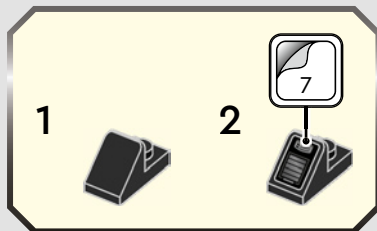


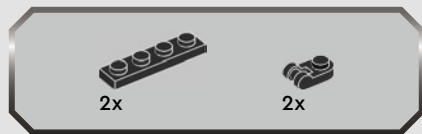
48



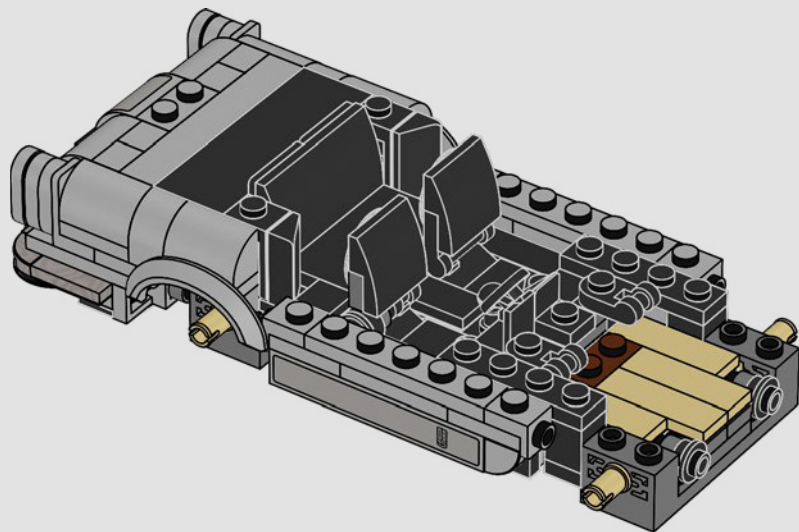


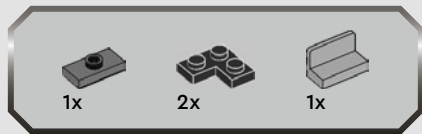
49



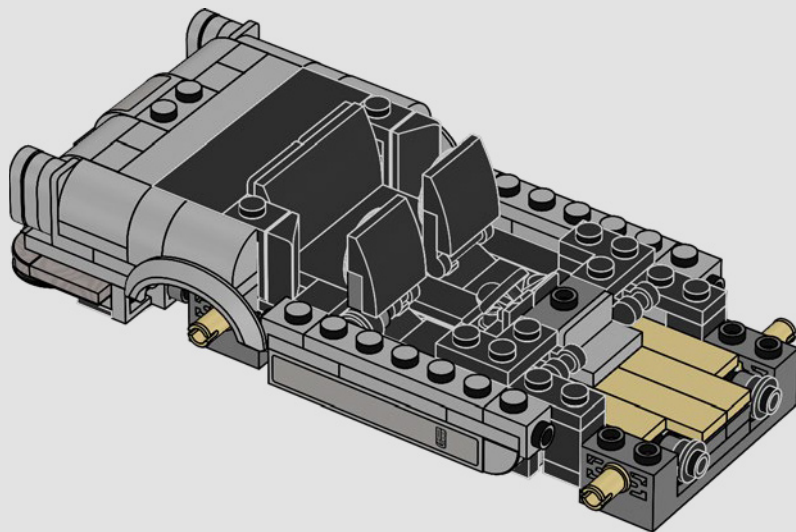


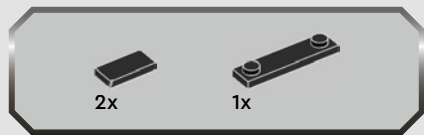
50



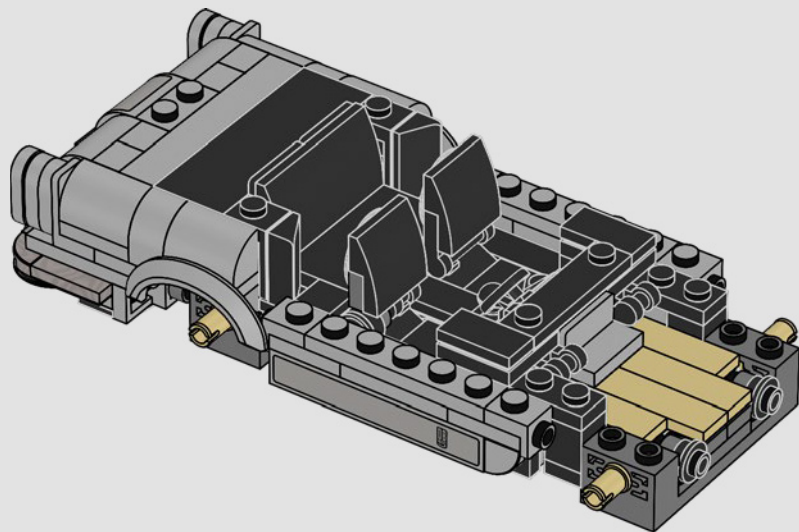


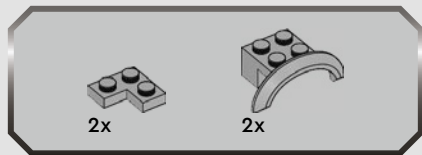
51



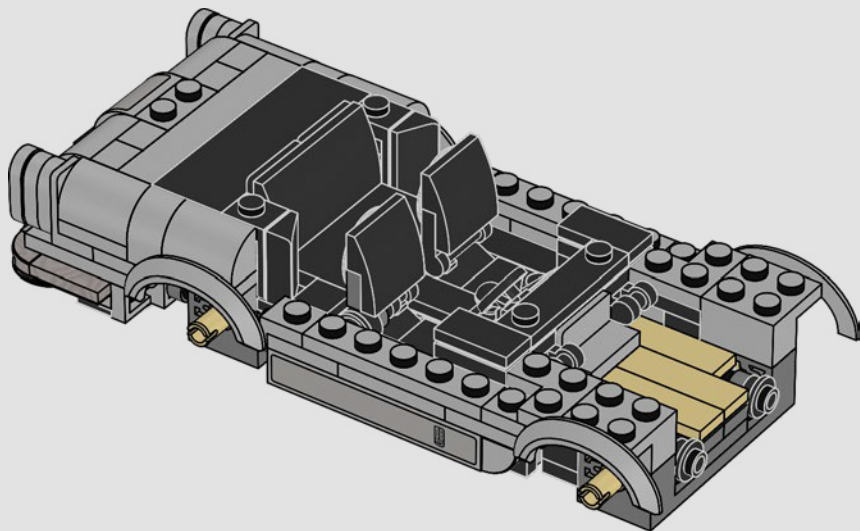


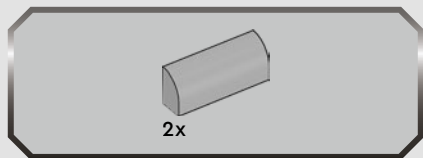
52



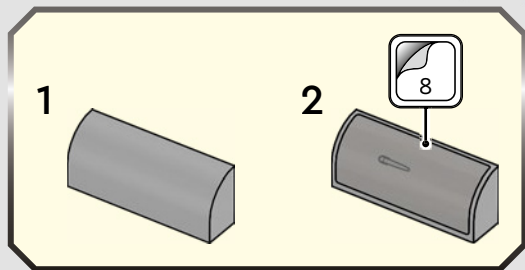
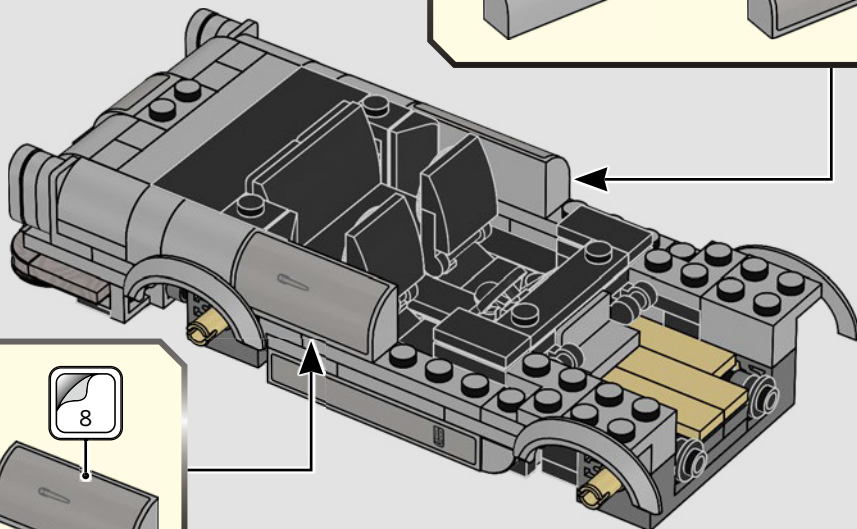
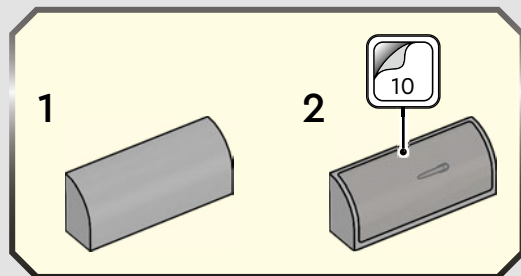


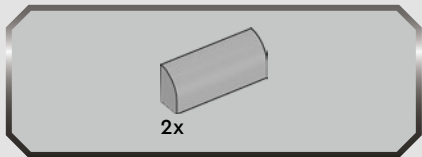
53



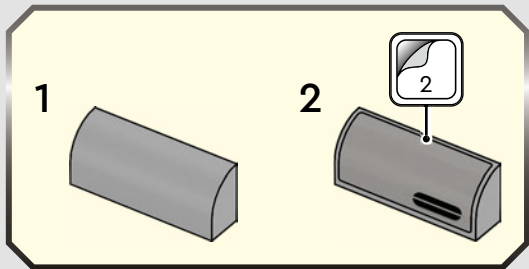
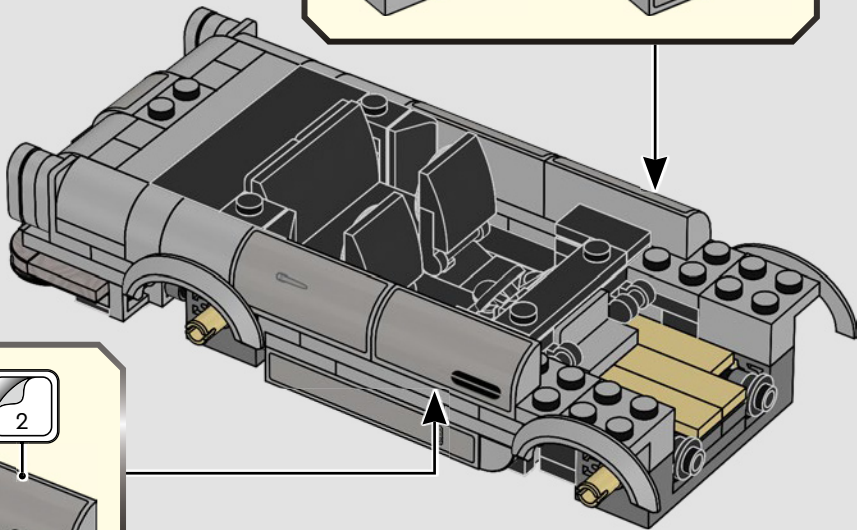
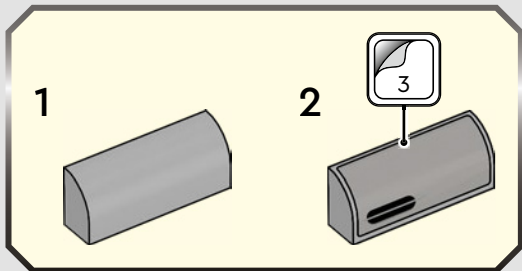


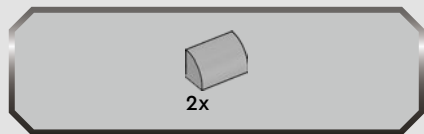
54



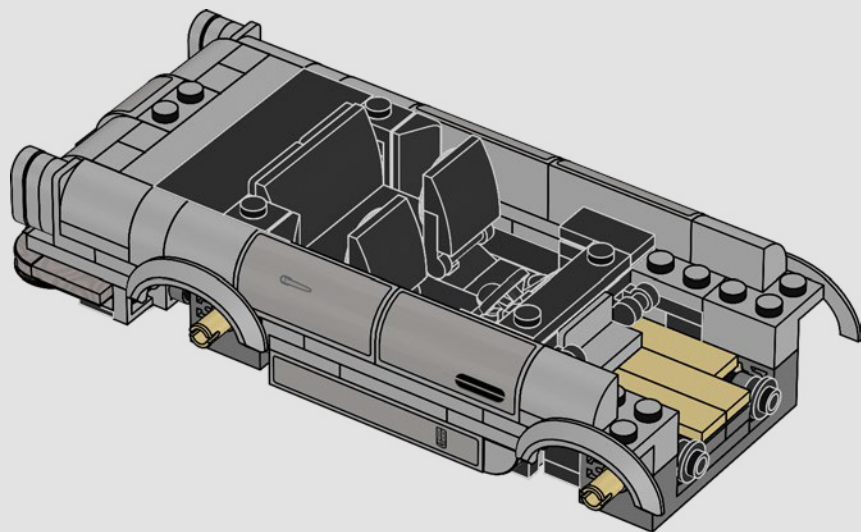


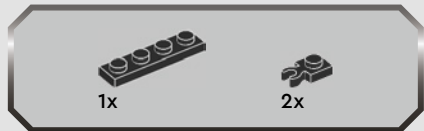
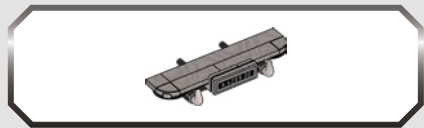
55



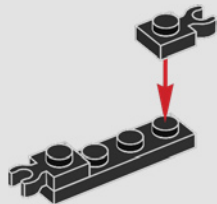


56

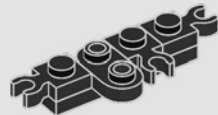




57

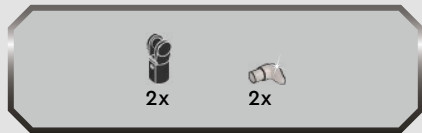


58

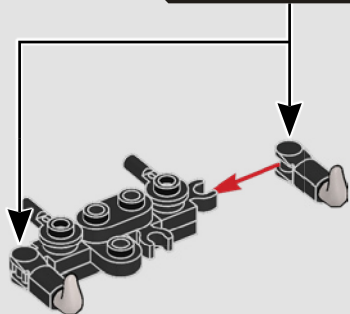
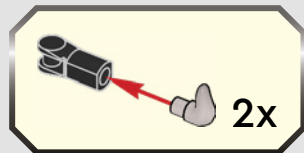


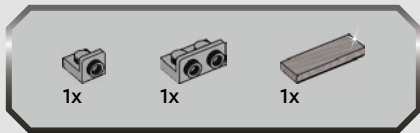


59

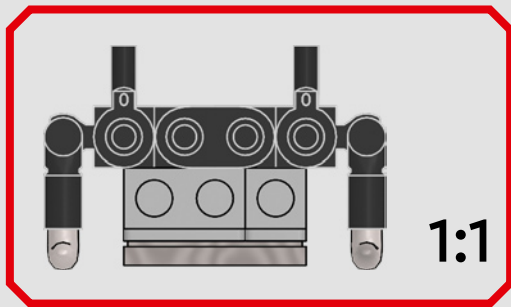
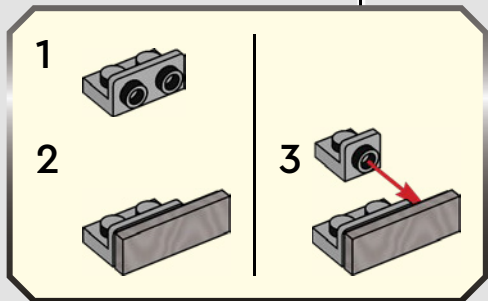
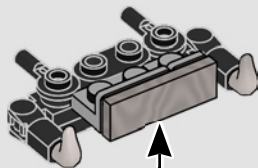


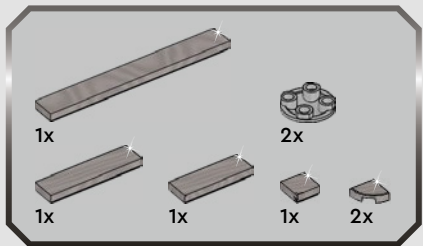
60





61



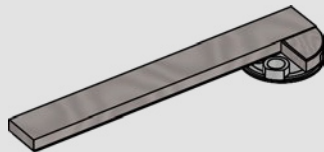


62

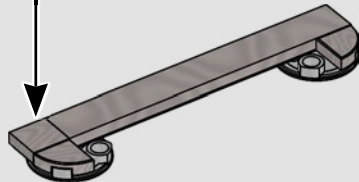
1



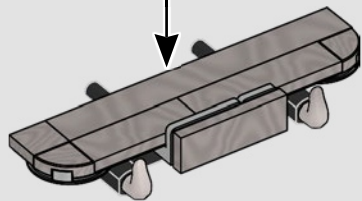
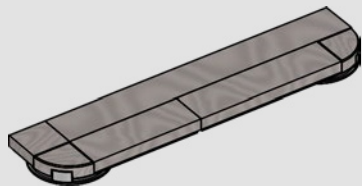
2



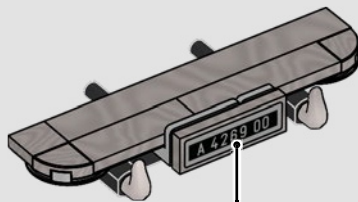
3



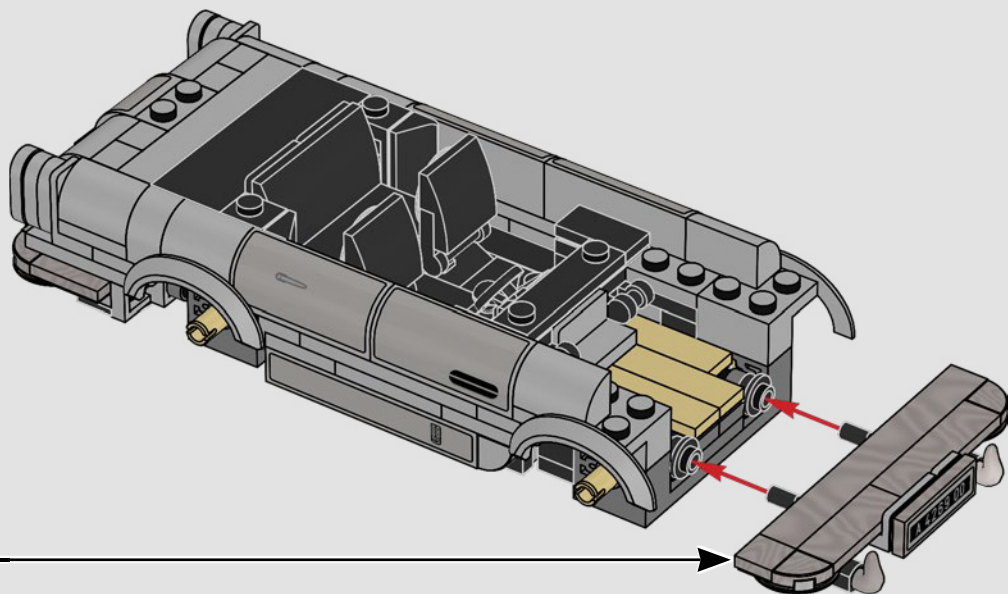
4

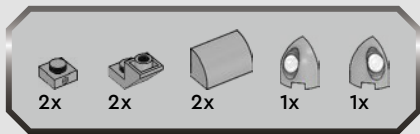


63

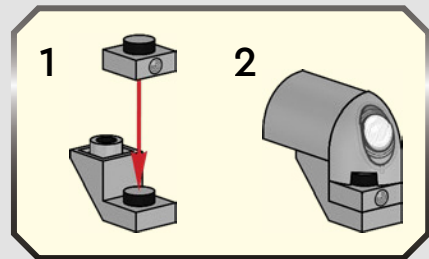
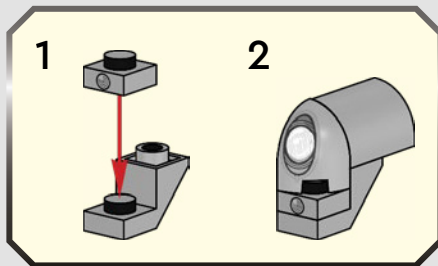
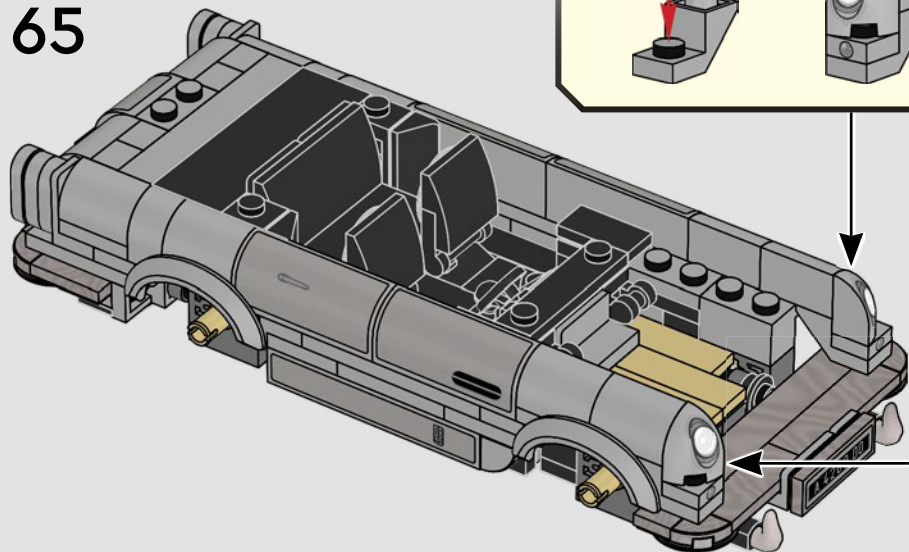


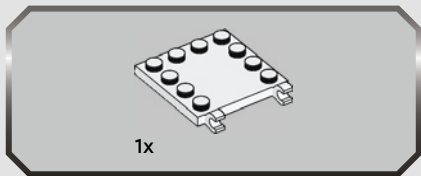
64



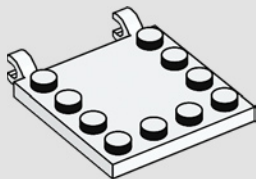


65

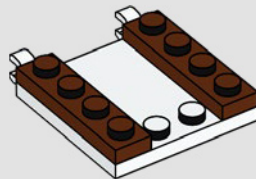




66



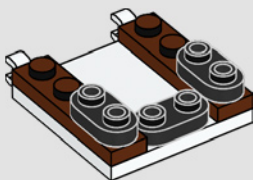
67

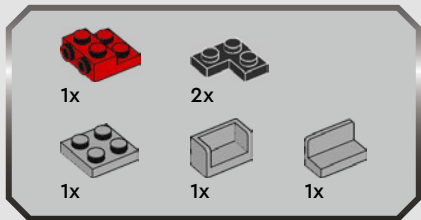




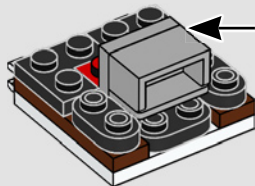
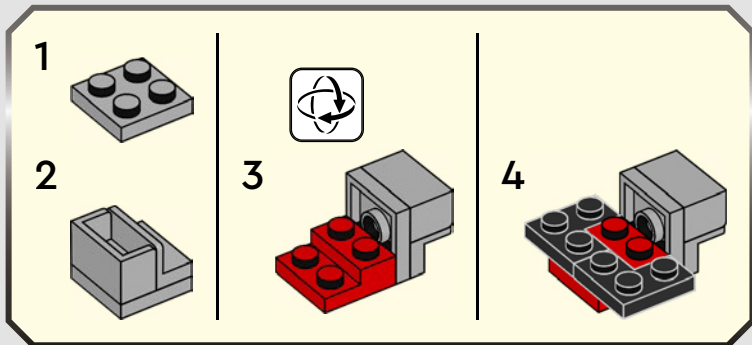
3x

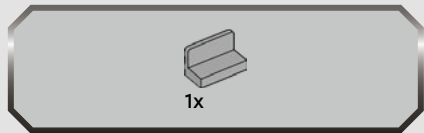
68



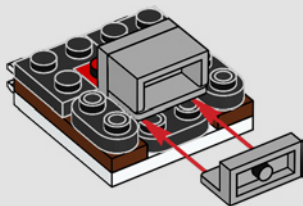


69

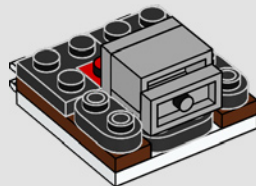


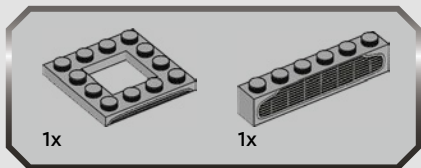


70

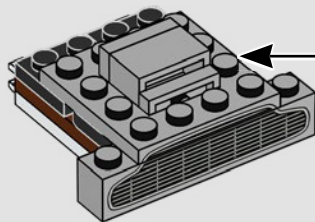
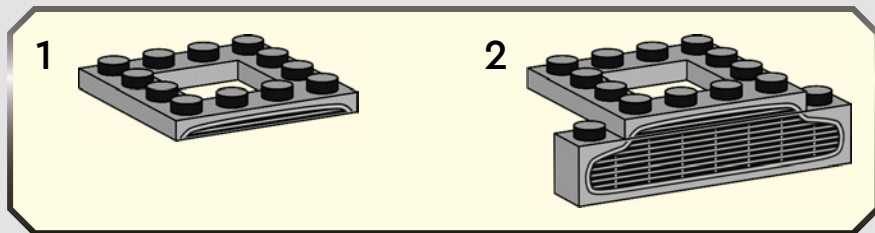


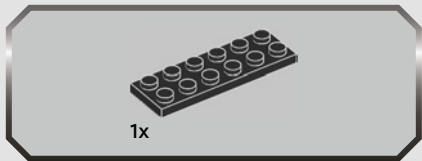
71



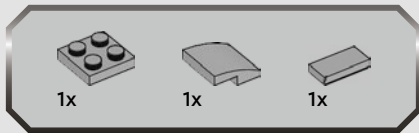
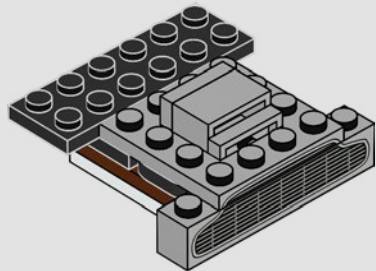


72

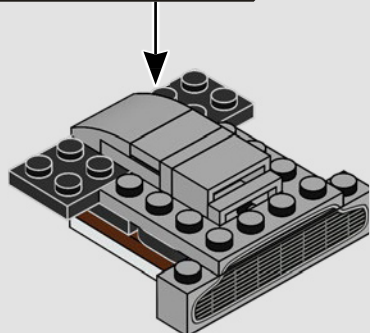
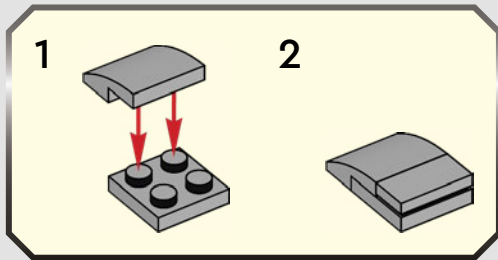


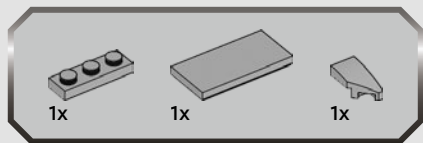


73

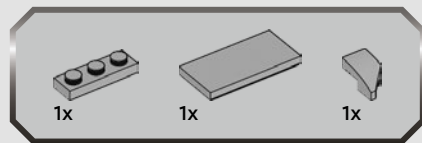
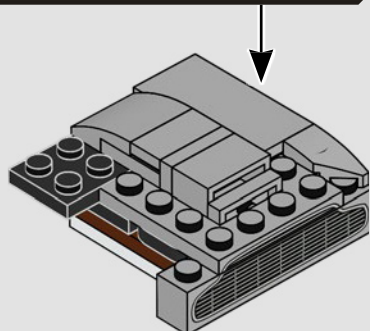
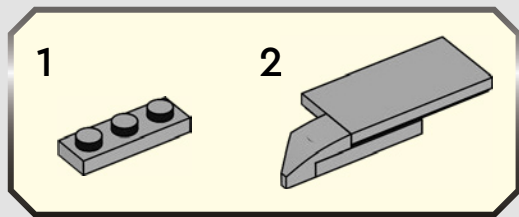


74

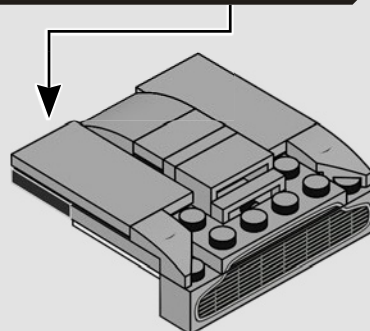
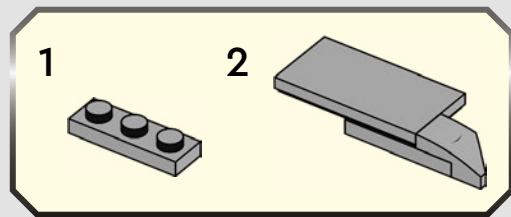


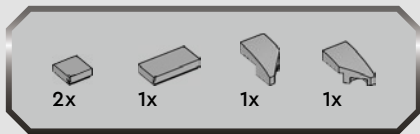


75

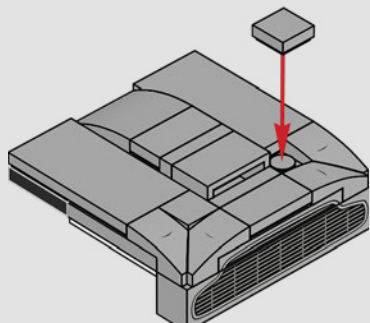


76

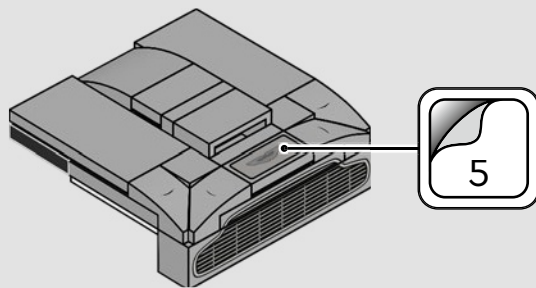




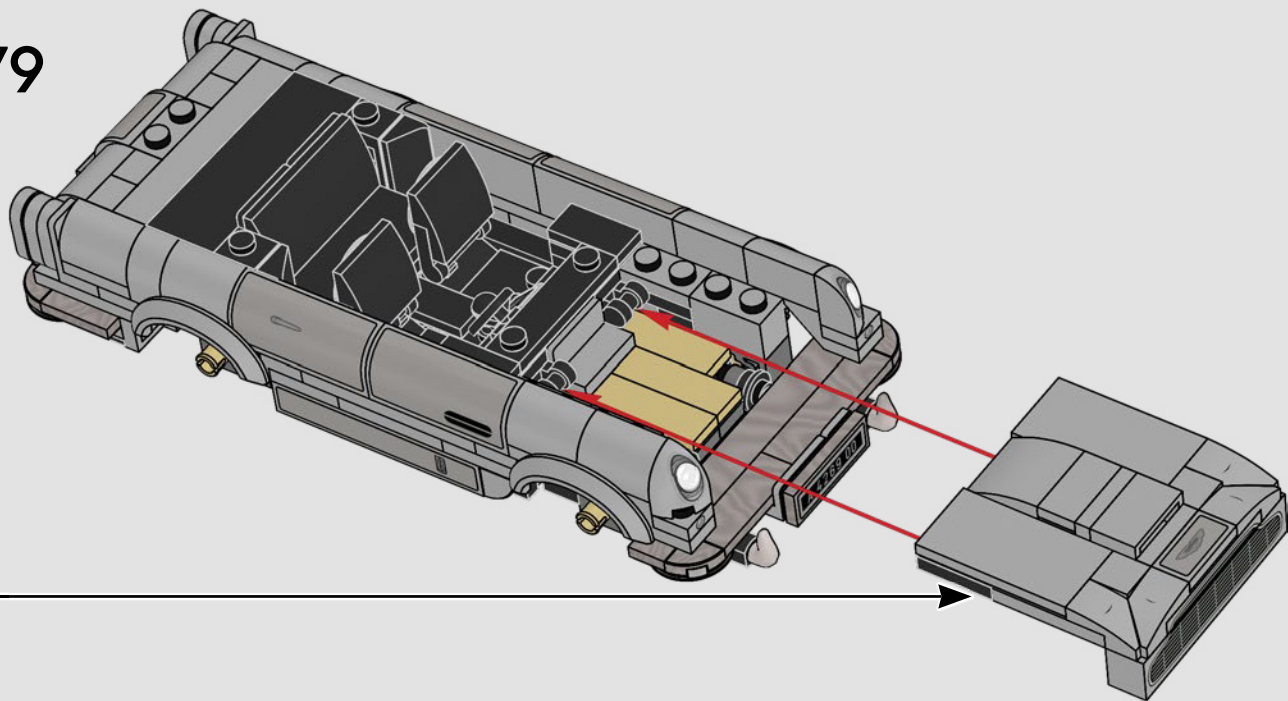
77



78

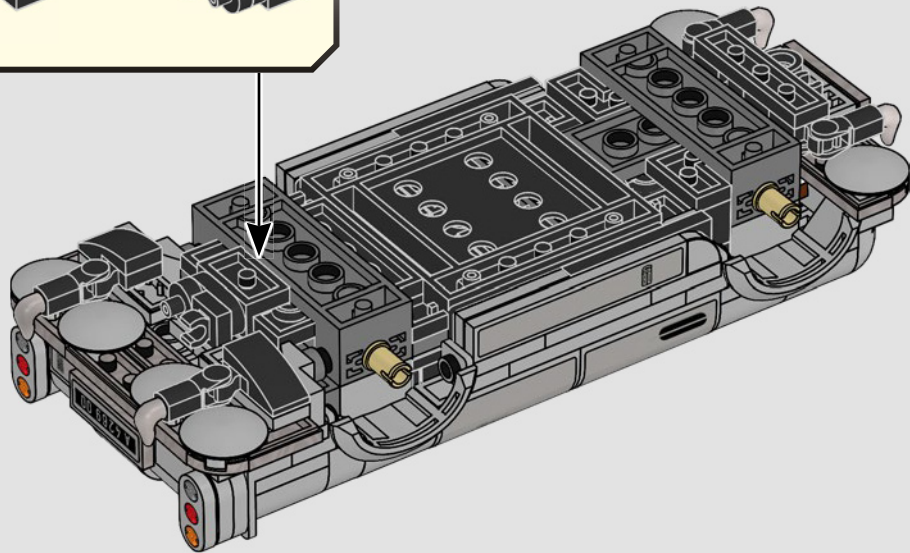


79



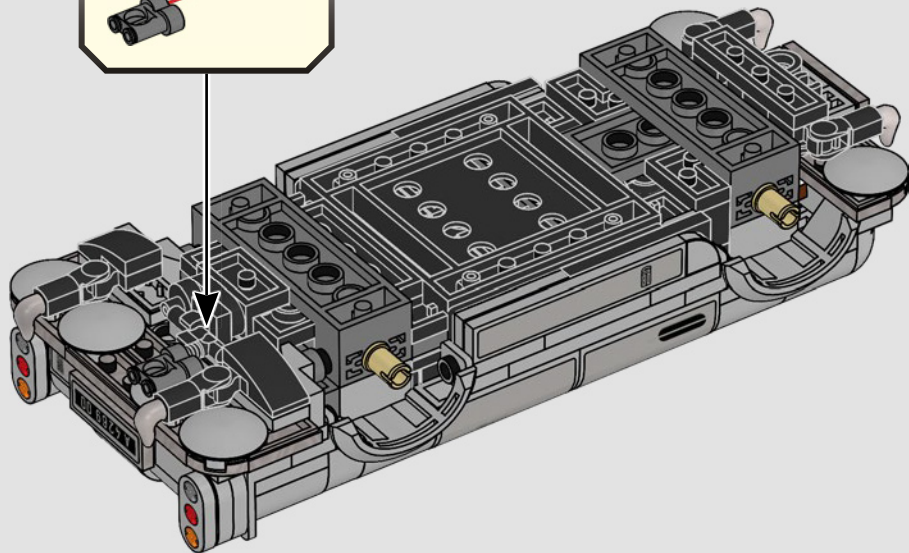
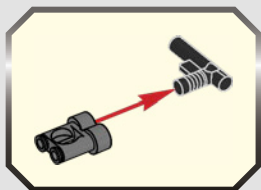


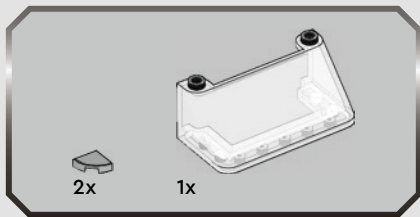
80



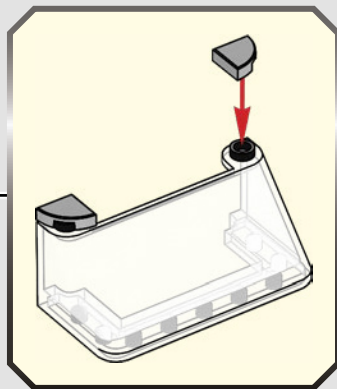
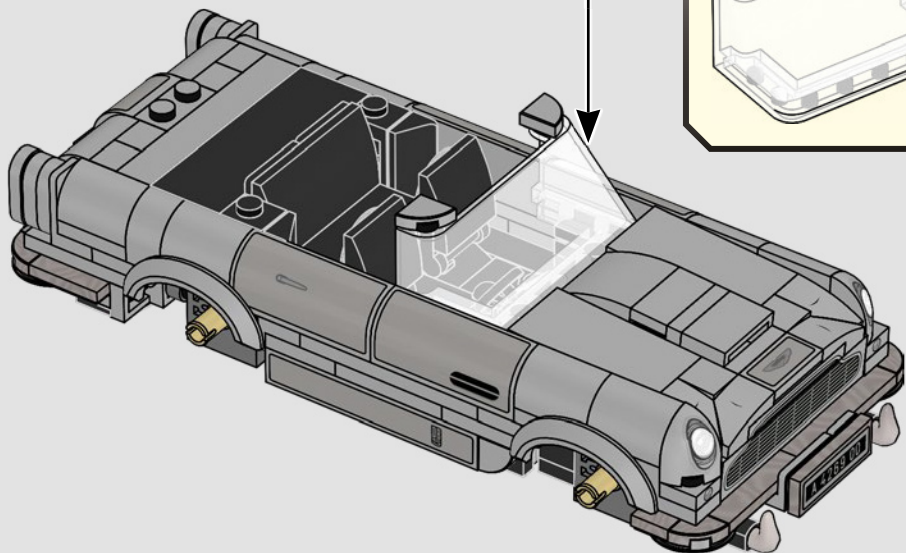
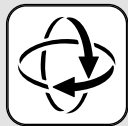


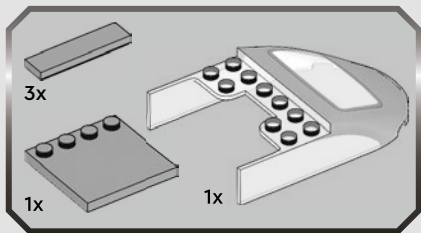
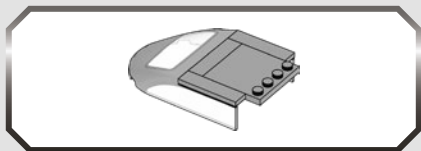
81





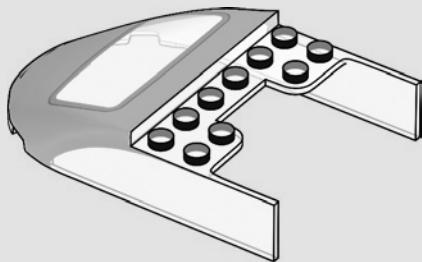
82



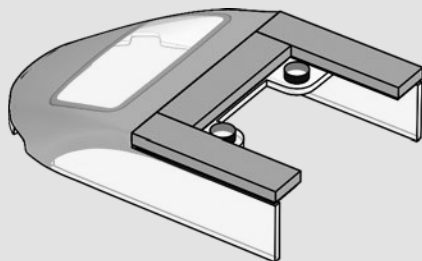


83

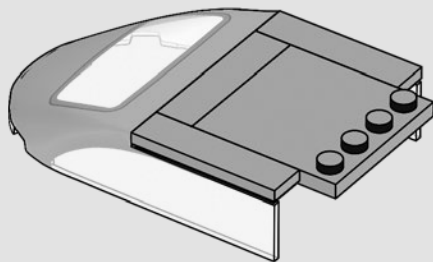
1

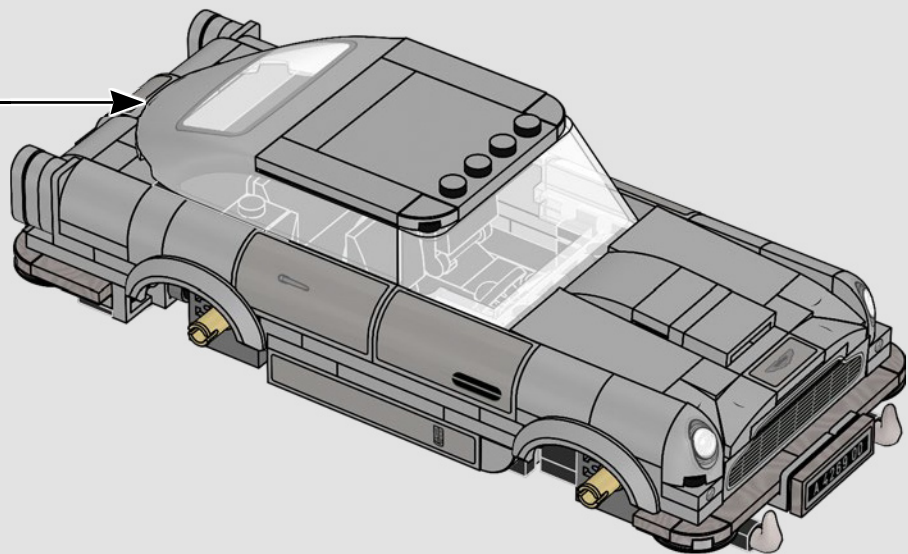


2



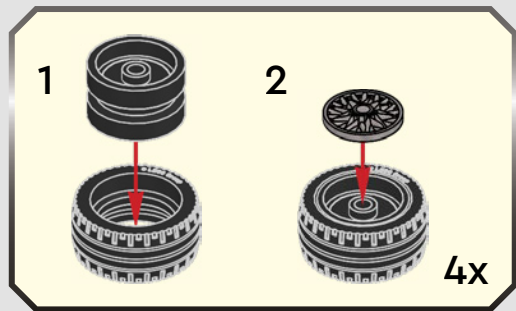
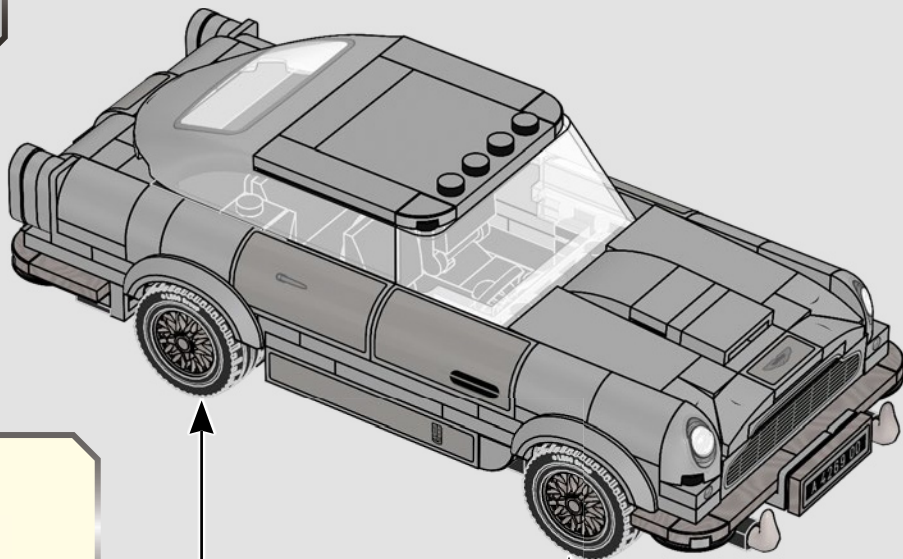
3







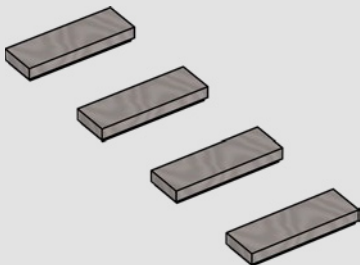
84



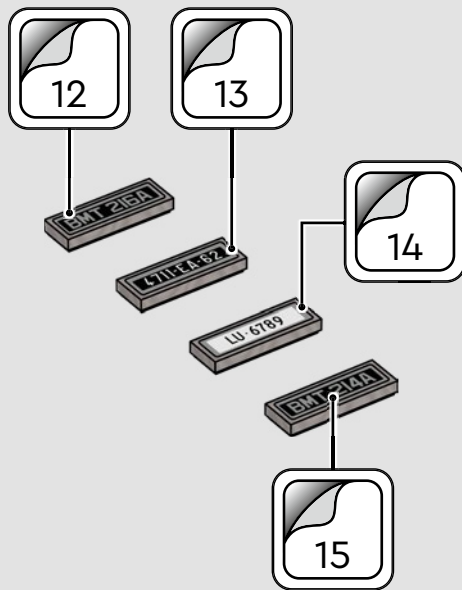


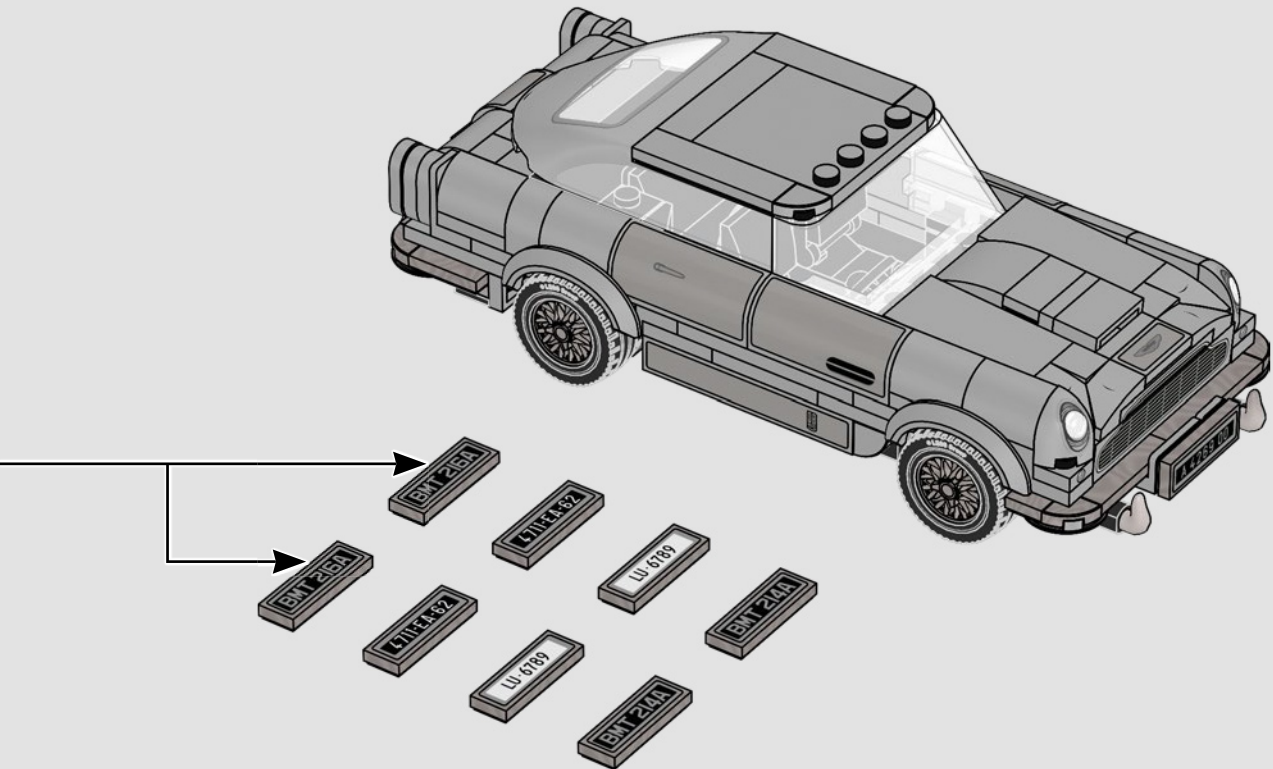
85

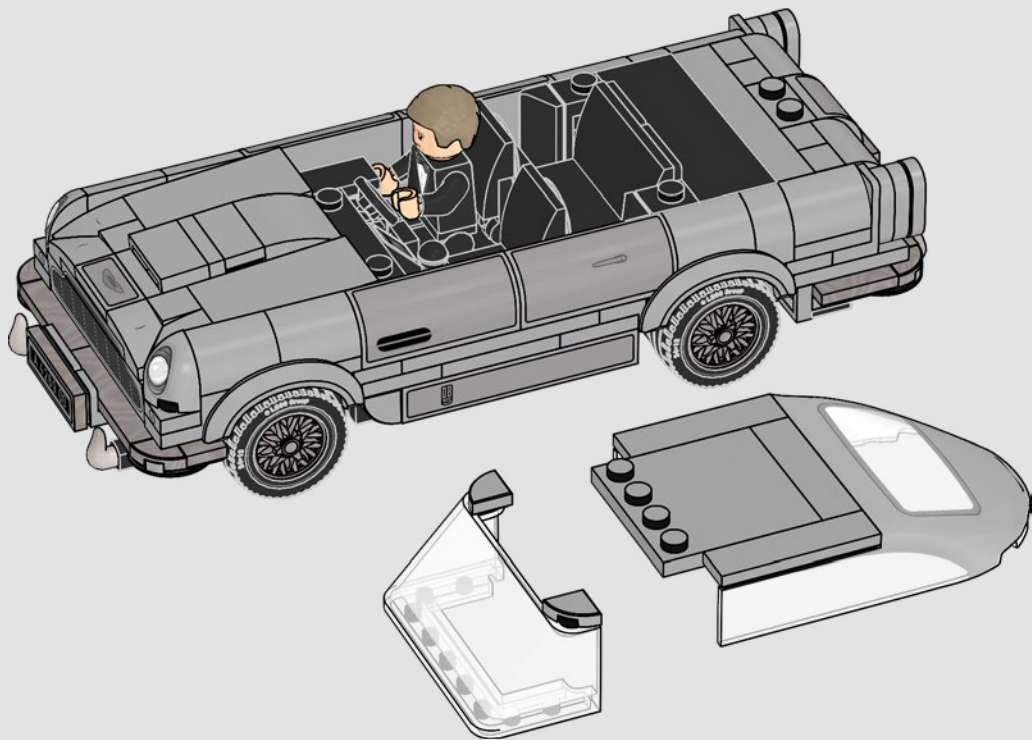
1

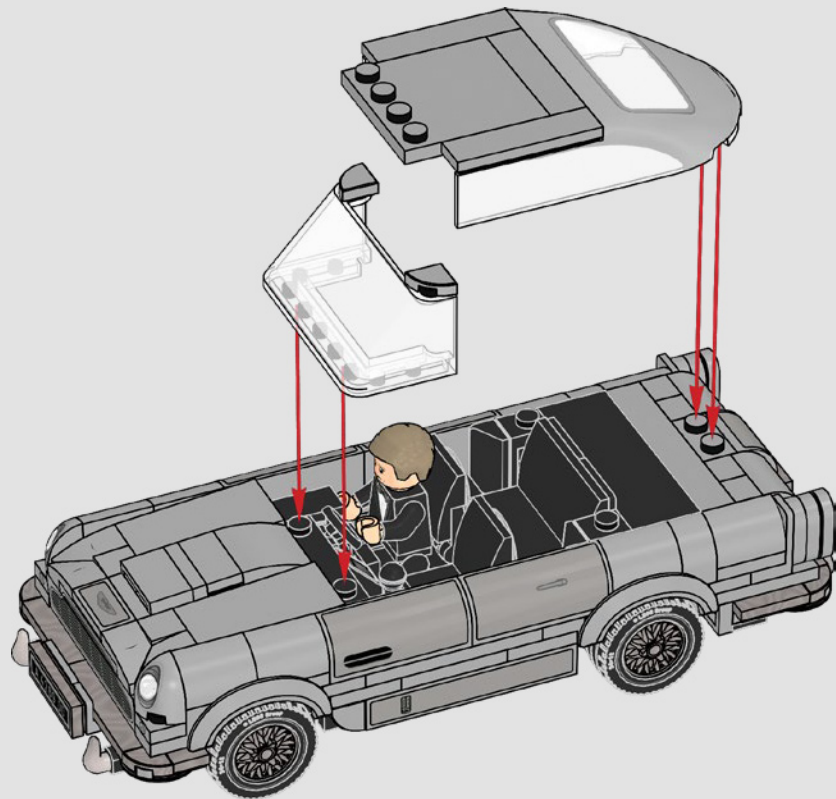


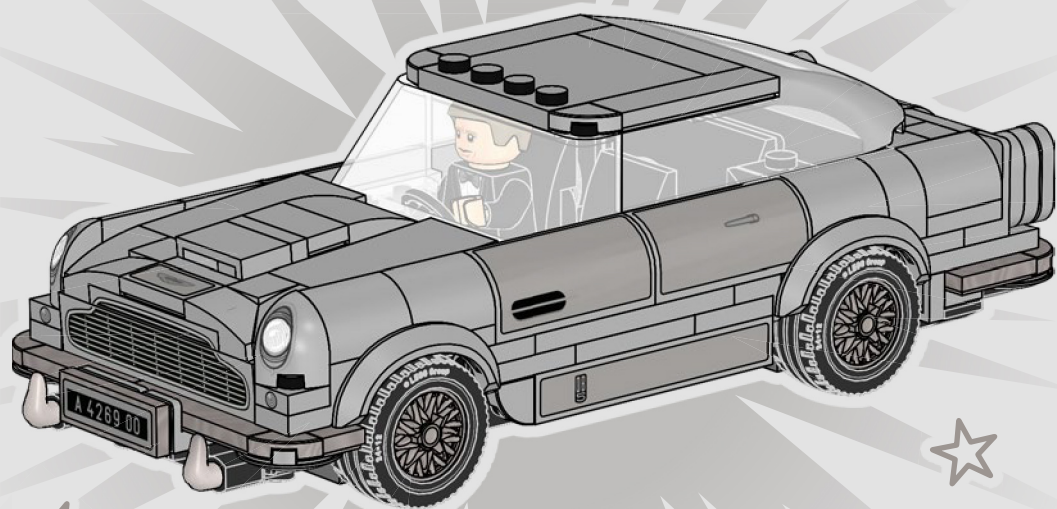
2













SPEED CHAMPIONS



76911



76912



76910



76906



76907



76908



76909

Produced under license of Ferrari S.p.A. The name FERRARI, the PRANCING HORSE device, all associated logos and distinctive designs are property of Ferrari S.p.A. The body designs of the Ferrari cars are protected as Ferrari S.p.A. property under design, trademark and trade dress regulations.

Dodge, HEMI and related logos, vehicle model names and trade dress are trademarks of FCA US LLC and used under license by The LEGO Group. ©2022 FCA US LLC.

The "Lamborghini" and "Lamborghini Bull and Shield" trademarks, copyrights, designs and models are used under license from Automobili Lamborghini S.p.A, Italy.

and are the intellectual property of Daimler AG. They are used by LEGO System A/S under license.

Manufactured under license from Mercedes-Benz Grand Prix Ltd. All logos featured on the livery and tyres are used with the permission

of their respective owners all of whom reserve their respective rights in the same.

Cinturato and are trademarks of the Pirelli Group used under licence.

"Aston Martin" and the Aston Martin "wings" logo are trade marks of Aston Martin Lagonda Limited. These trade marks may not be used without its permission. All rights are reserved. and related James Bond Trademarks India © 1962-2022 Danjaq, LLC and Metro-

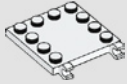
Goldwyn-Mayer Studios, Inc. and related James Bond Trademarks are trademarks of Danjaq, LLC. All Rights Reserved.

© Universal City Studios LLC. All Rights Reserved.

Manufactured by LEGO System A/S under licence from Group Lotus Limited.



1x
302101



1x
6310187



4x
6131896



4x
4118790



1x
6288331



4x
4666579



1x
6061711



2x
300526



4x
4548180

86



1x
6069000



2x
6147050



2x
6053077



1x
4587844



4x
307026



6x
306926



2x
6192346



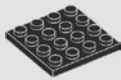
10x
242026



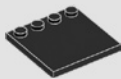
1x
6254045



7x
371026



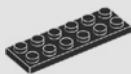
1x
4243819



1x
617926



1x
6318582



1x
379526



2x
6186675



1x
6335388



2x
6380236



8x
6210270



5x
6330189



3x
6157554



3x
6196548



2x
6313116



1x
6020193



2x
6000650



1x
4225201



3x
6168646



2x
4278359



1x
6408448



4x
6413602



1x
6413602



1x
6413602



1x
6088550



1x
4537551



1x
400626



4x
6290263



4x
6102596



1x
6287679



1x
73081



4x
6321194



1x
6015344



4x
6015344



4x
6409541



1x
6255922



1x
6162275



4x
4211150



4x
4211190



4x
6306775



1x
6408450



2x
6028813



1x
6015344



1x
6408443



1x
6408442



2x
6407767



2x
6225139



2x
6225142



2x
4211415



2x
6285778



11x
6227184



1x
6102357



4x
6195463

2x
6408441



4x
6401023



4x
4211414



2x
6410144



2x
4211397



10x
4211353



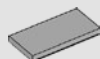
4x
4211429



4x
6211969



3x
4211356



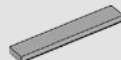
2x
4560183



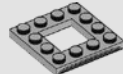
4x
6372029



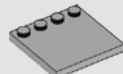
2x
6079461



3x
4211549



1x
6408449



1x
4211837



1x
6335328



8x
6248078



2x
6345639



4x
6248890



1x
6004990



4x
6176433



2x
6408440



6x
4278273



1x
6248492



3x
6146223



4x
6407751



1x
4211100



4x
4210719



2x
6092572



1x
4211065



3x
4211056



1x
6360111



4x
6281996



1x
4211051



2x
6287680



1x
6408446



4x
6408234



1x
6237120



2x
6217492



13x
6217498



1x
6409129



4x
6294879



1x
6409907



1x
6408444

Customer Service
Kundenservice
Service Client
Assistenza clienti
Atención al cliente
Serviço de Apoio ao Consumidor
Ügyfélszolgálat
Klientu apkalpošanas dienests
Serviciul pentru client
客户服务
コンシューマーサービス
고객 서비스
LEGO.com/service

WIN

Terms & Conditions apply

Scan this QR code or go to **LEGO.COM/PRODUCTFEEDBACK** and give us your short feedback about this LEGO® set for a chance to win a cool LEGO prize.



GEWINNE

Scanne diesen QR-Code oder geh auf [LEGO.COM/PRODUCTFEEDBACK](https://www.lego.com/productfeedback)

und gib uns dein kurzes Feedback zu diesem LEGO® Set. Dann hast du die Chance, einen coolen LEGO Preis zu gewinnen.

Es gelten die Teilnahmebedingungen

LEGO and the LEGO logo are trademarks of the/sont des marques de commerce du/son marcas registradas de LEGO Group. ©2022 The LEGO Group. "Aston Martin" and the Aston Martin "wings" logo are trade marks of Aston Martin Lagonda Limited. These trade marks may not be used without its permission. All rights are reserved.

007[™] and related James Bond Trademarks Indicia © 1962–2022 Danjaq, LLC and Metro-Goldwyn-Mayer Studios, Inc.

007[™] and related James Bond Trademarks are trademarks of Danjaq, LLC. All Rights Reserved.

GAGNE

Scannez ce code QR ou rendez-vous sur [LEGO.COM/PRODUCTFEEDBACK](https://www.lego.com/productfeedback)

pour donner votre avis sur ce produit LEGO® et avoir une chance de gagner un prix LEGO.

Voir Conditions Générales

GANAN

Escanea este código QR o visita [LEGO.COM/PRODUCTFEEDBACK](https://www.lego.com/productfeedback)

y comparte con nosotros tu opinión sobre este set LEGO® para tener la oportunidad de ganar un fantástico premio LEGO.

Términos y Condiciones aplicables

获取奖品

只需扫描此二维码或访问 [LEGO.COM/PRODUCTFEEDBACK](https://www.lego.com/productfeedback),

就这款乐高®套装提供简短反馈,就有机会赢得很酷的高乐高奖品。

《条款及条件》适用