



7-12

STAR WARS

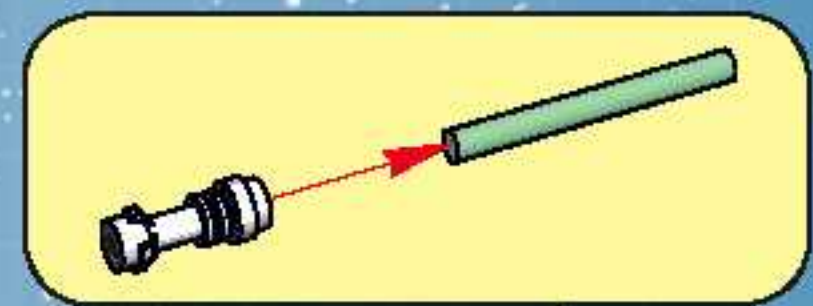
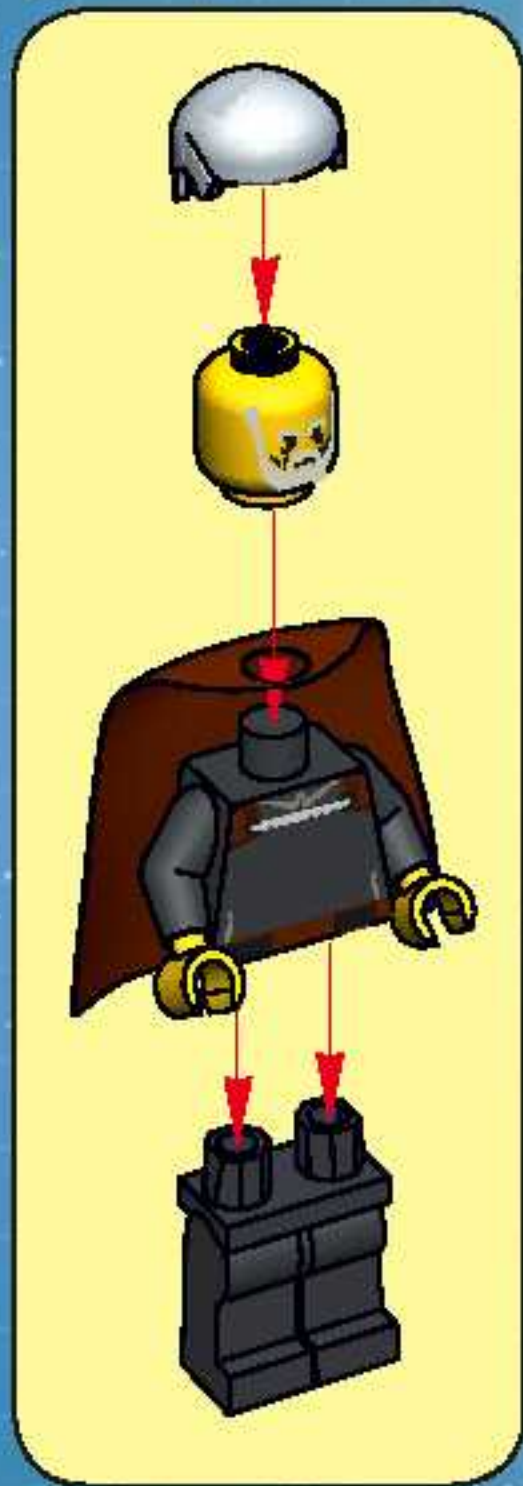


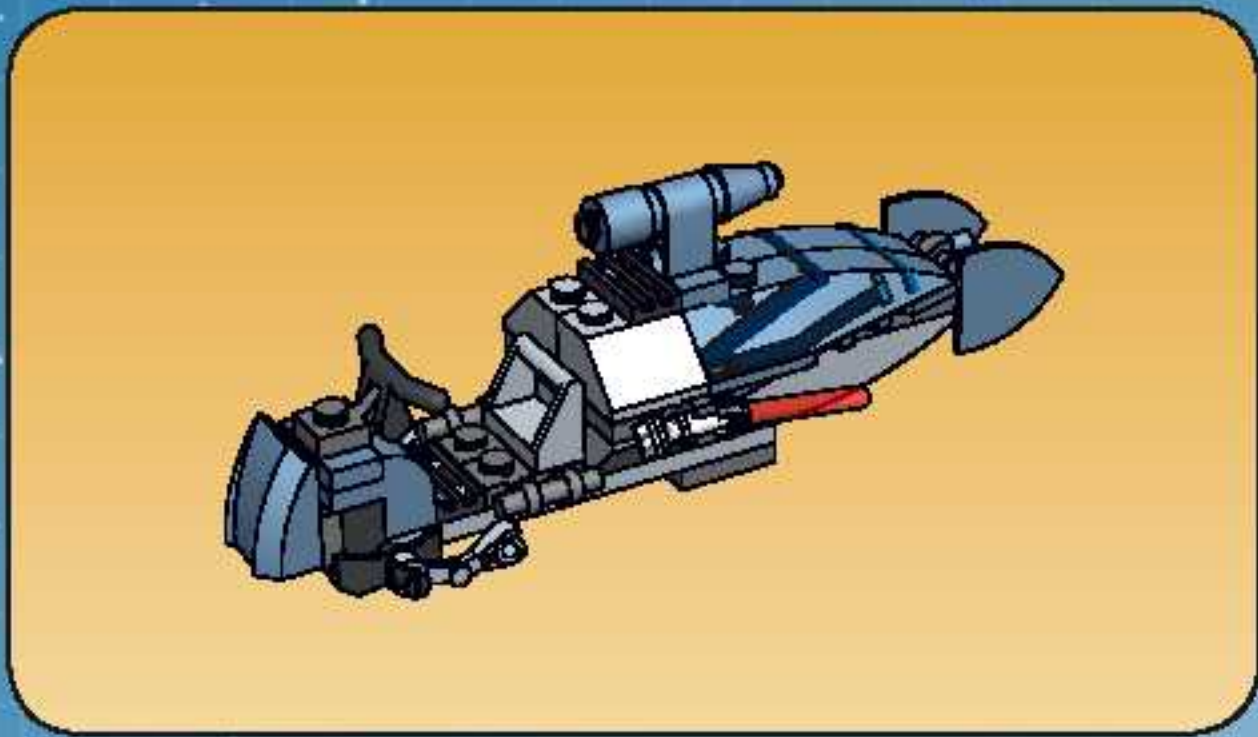
4176940

7103

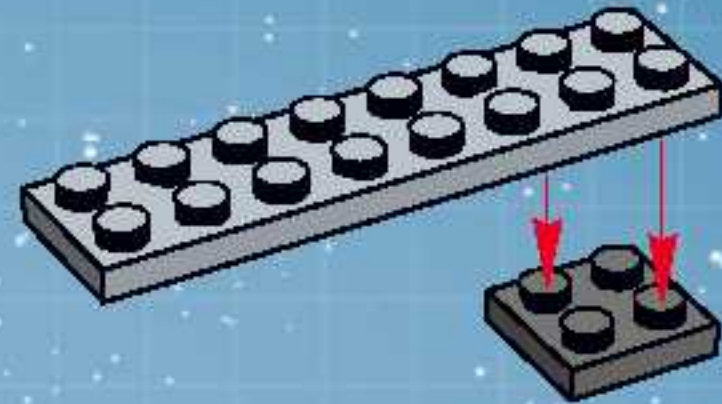


JEDI™ DUEL





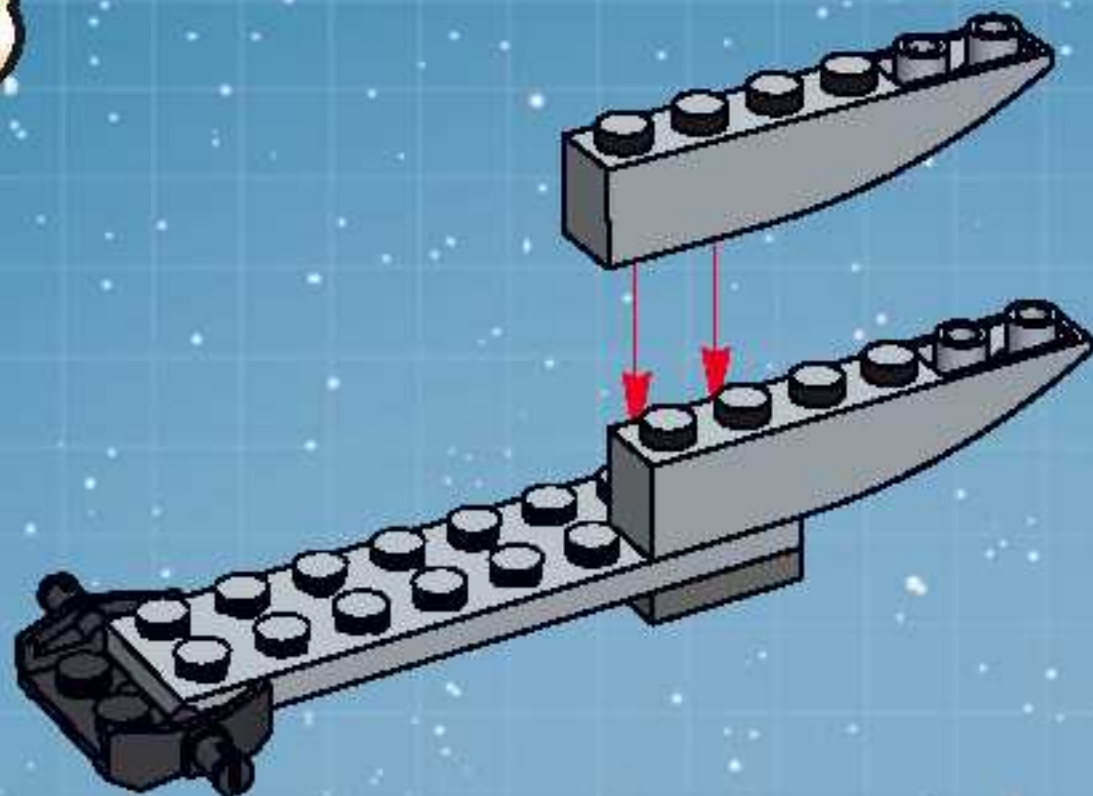
1



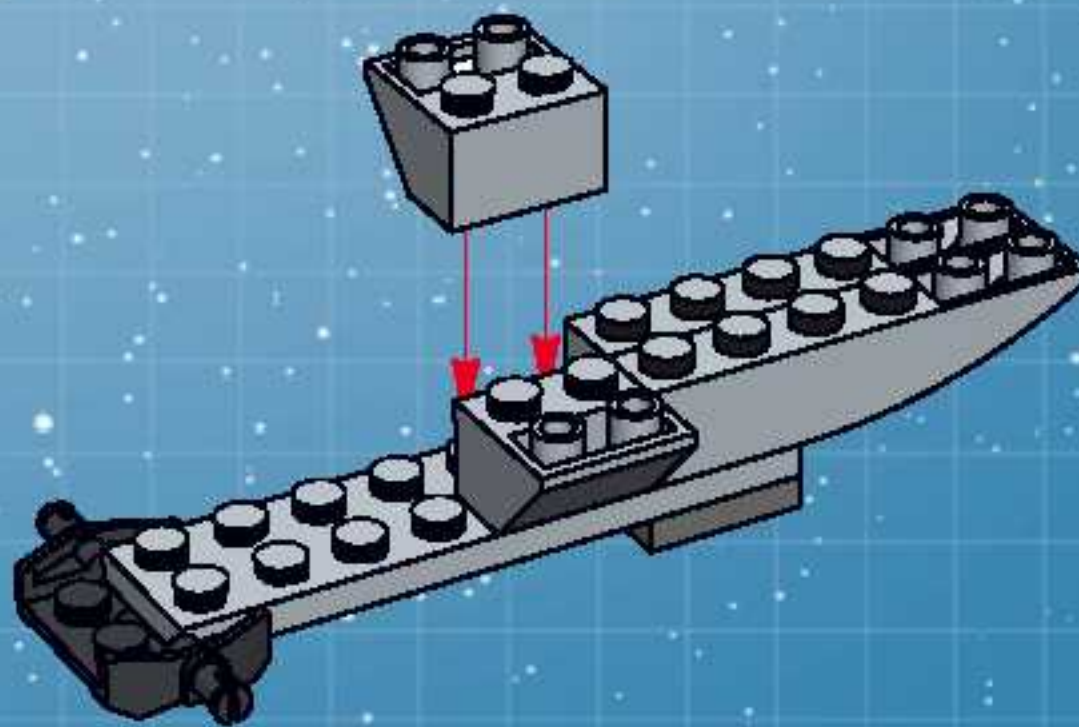
2



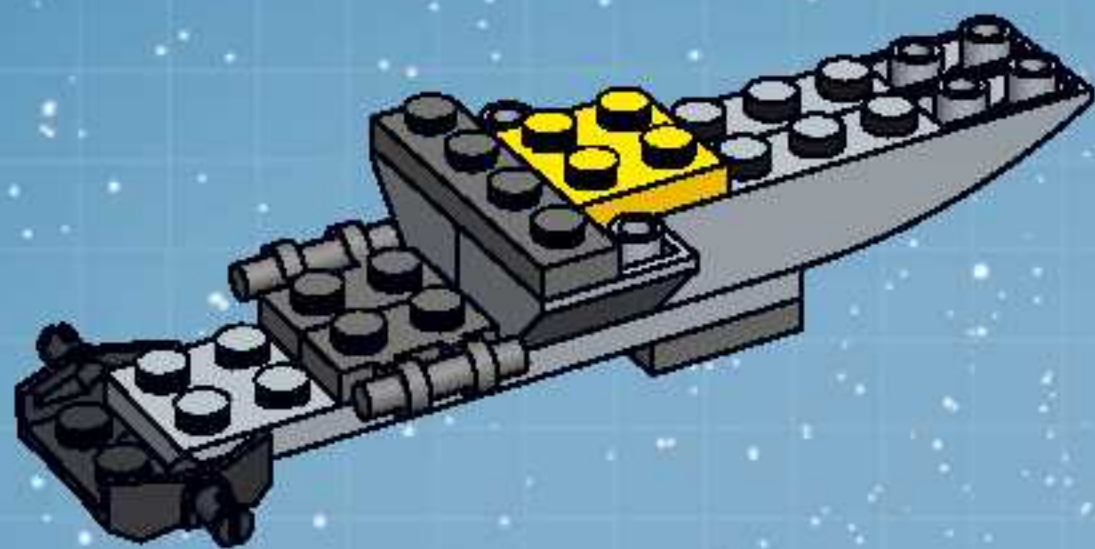
B



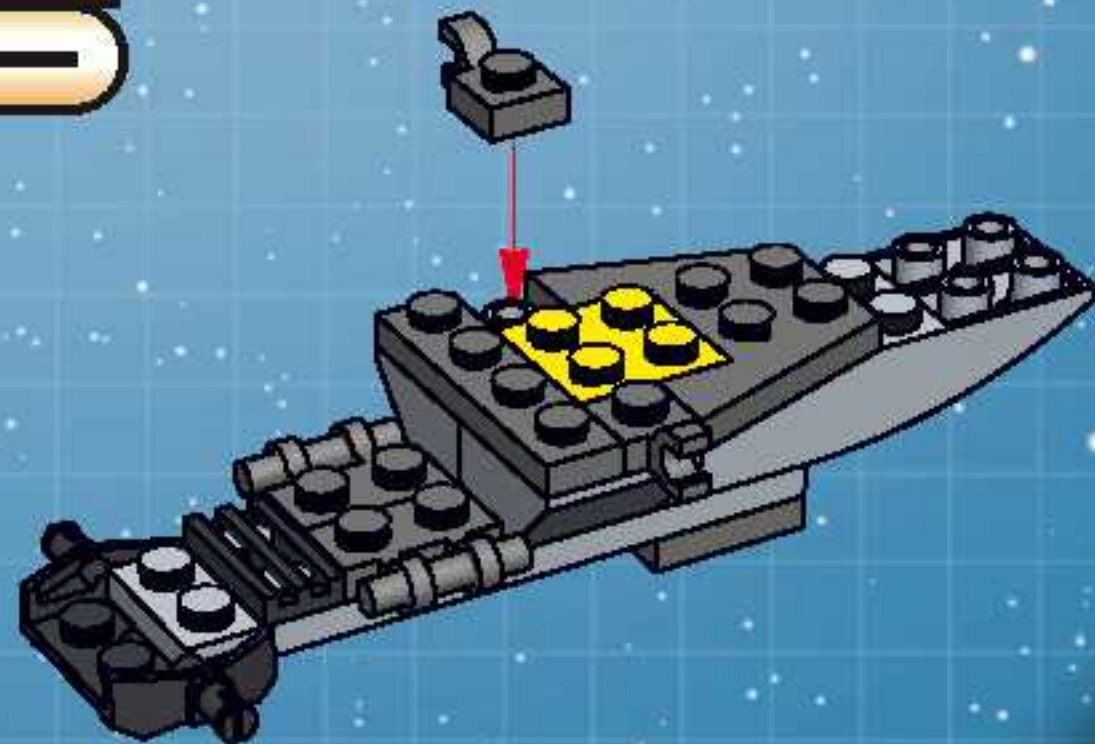
4

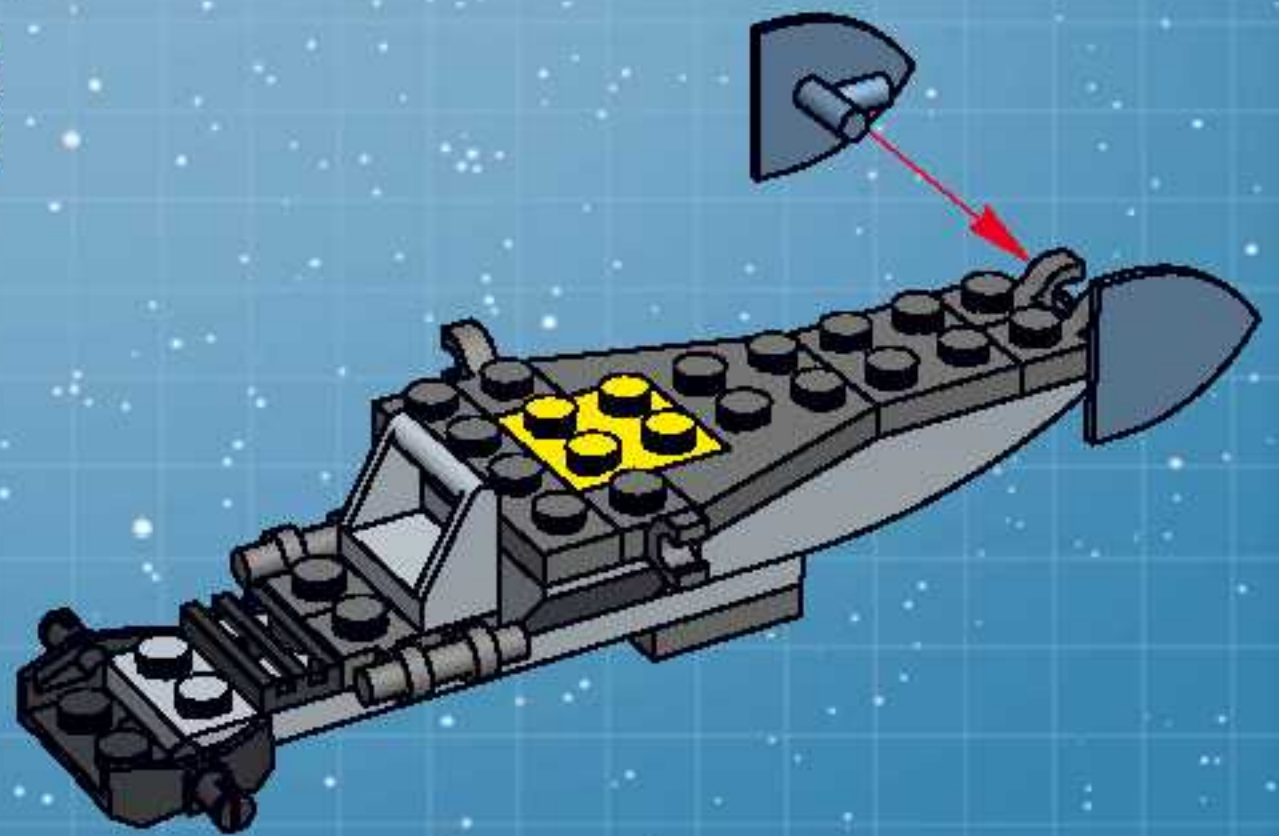
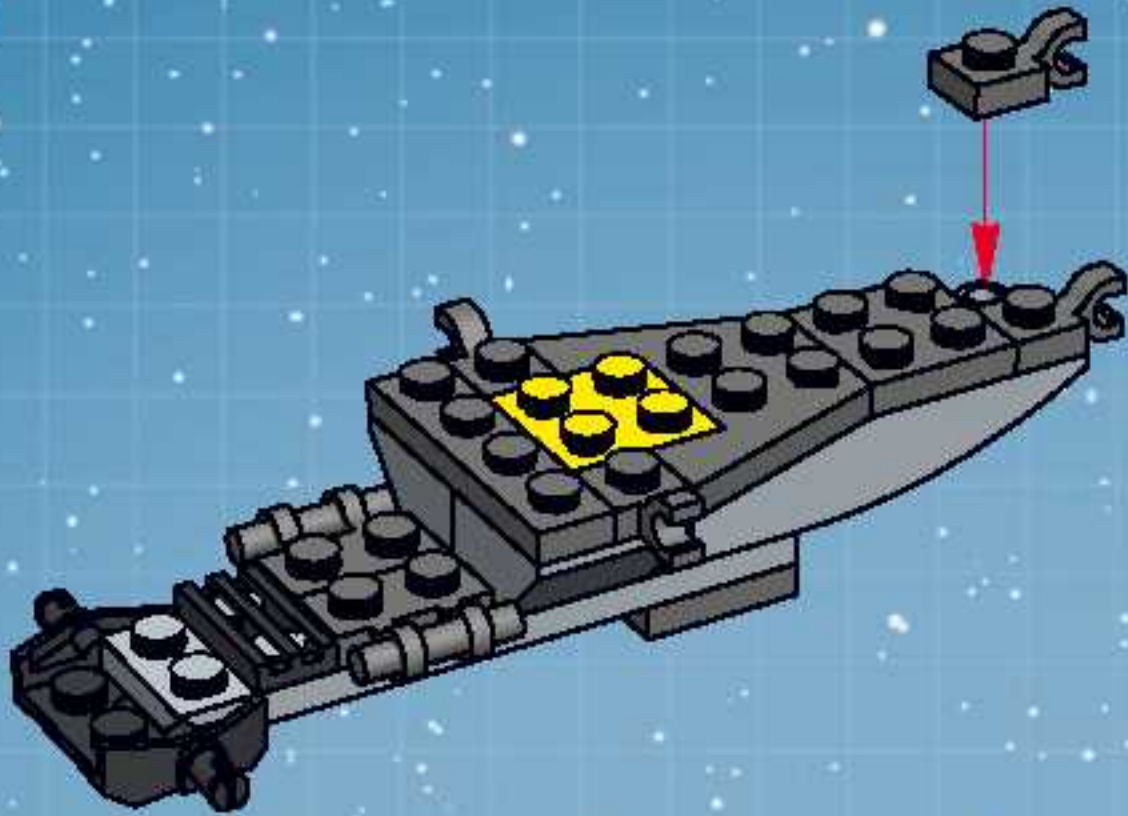


5

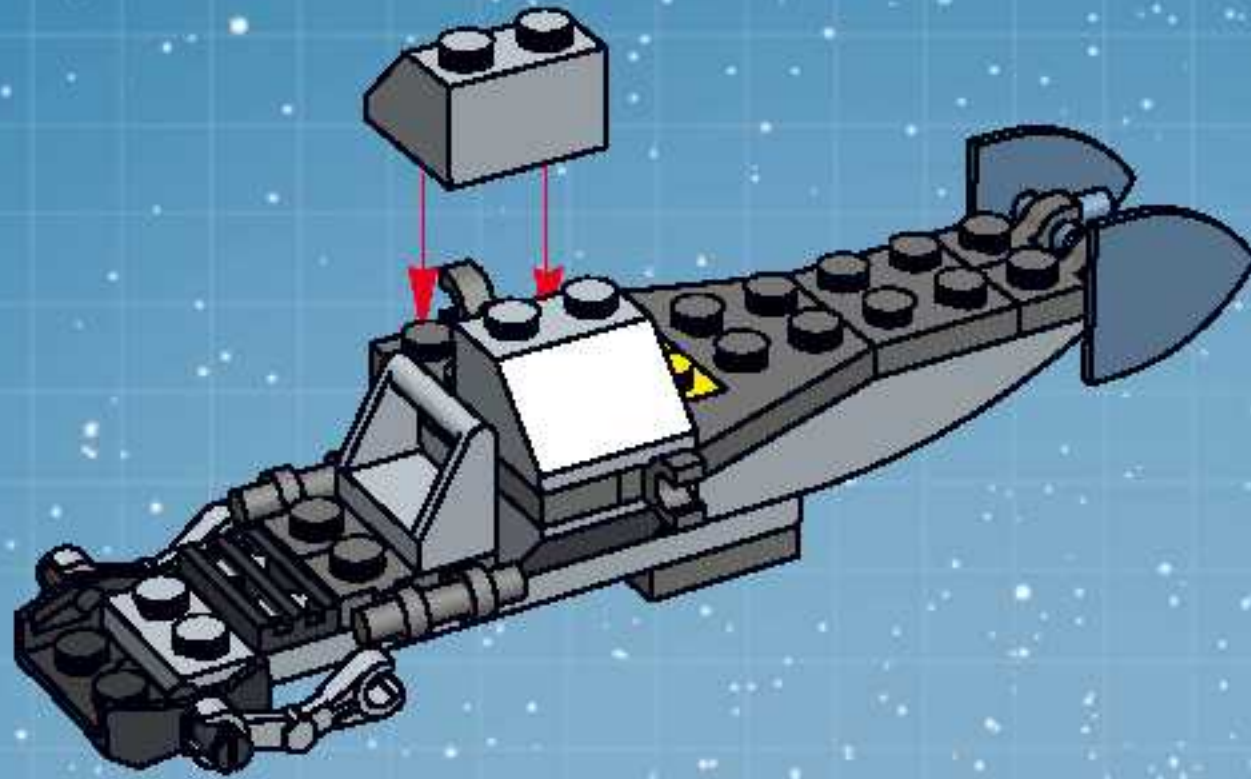


6

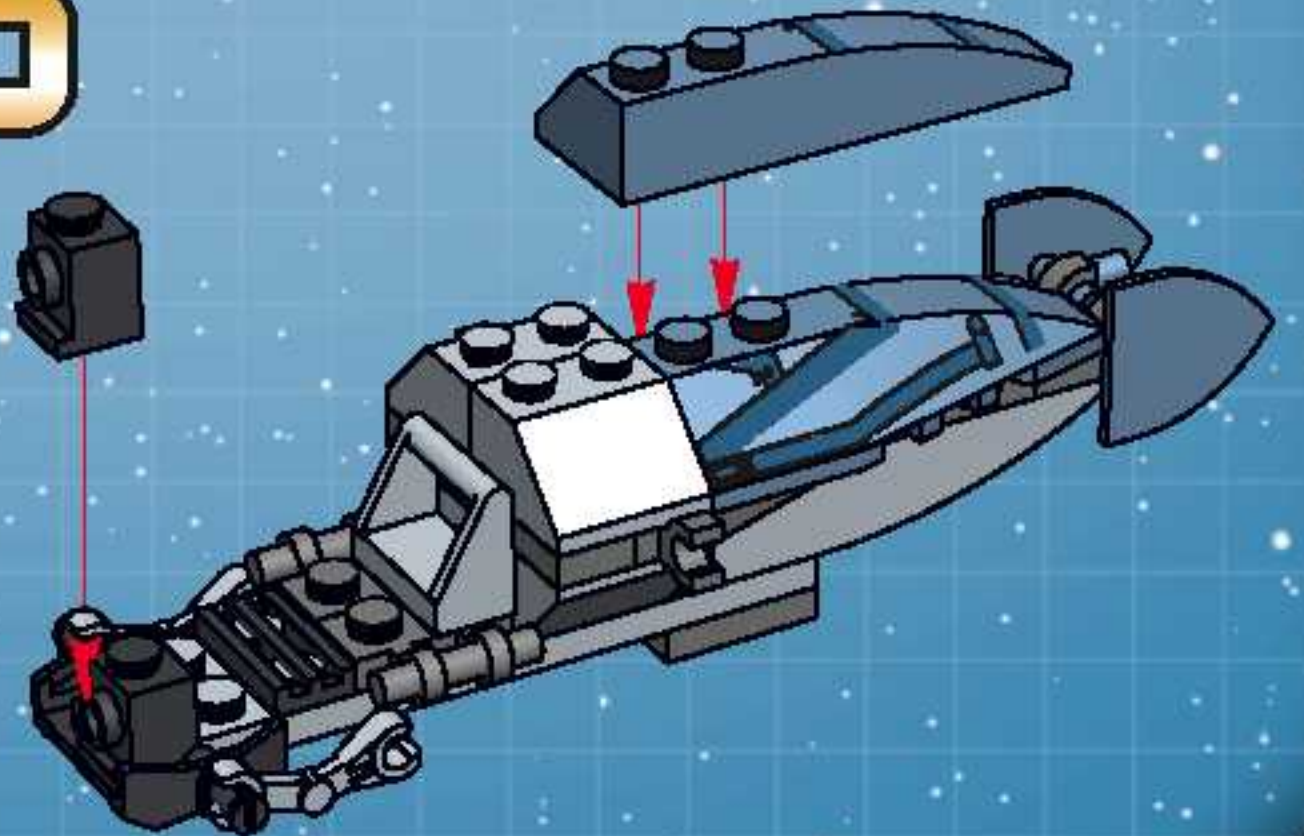




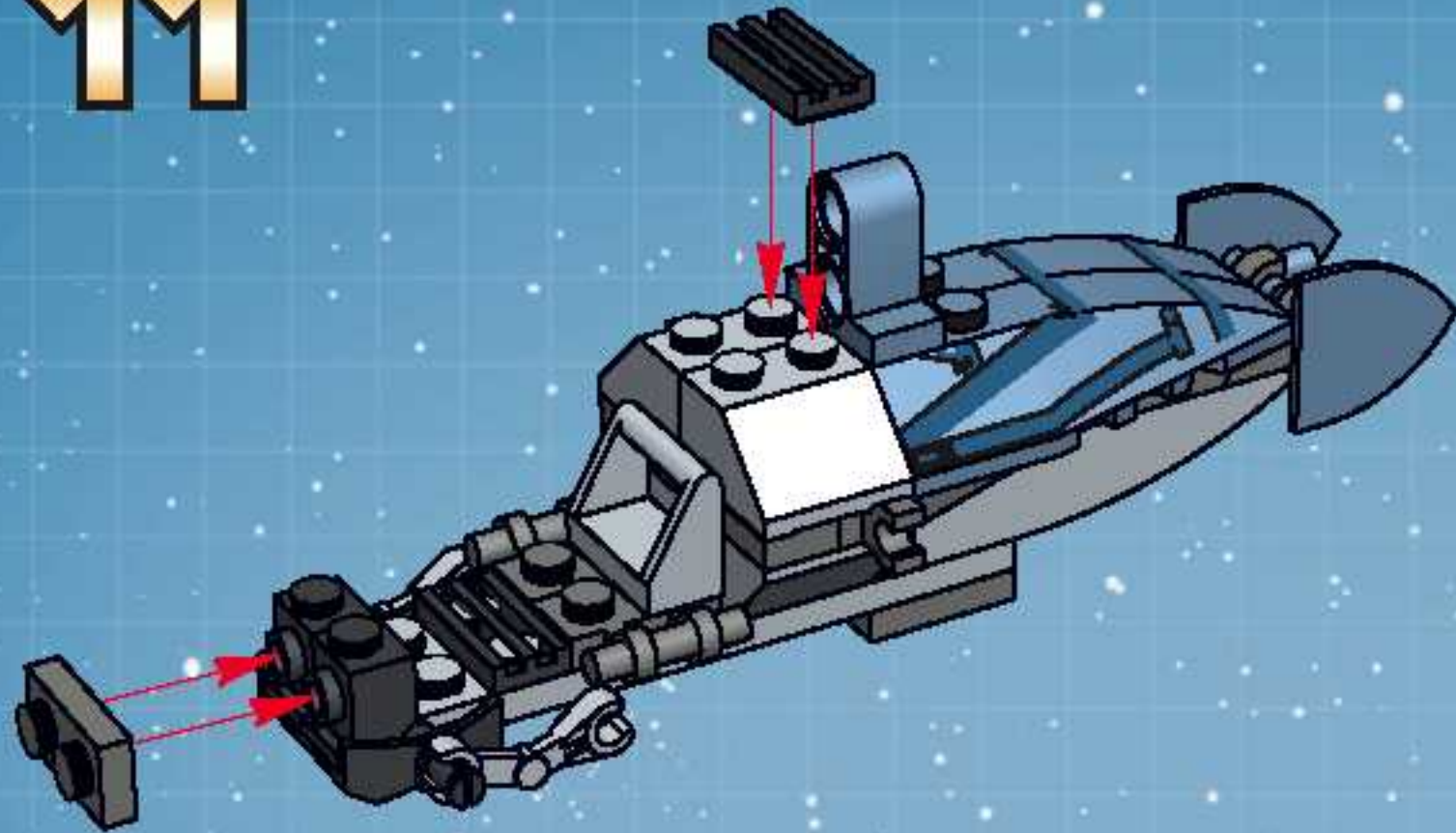
9



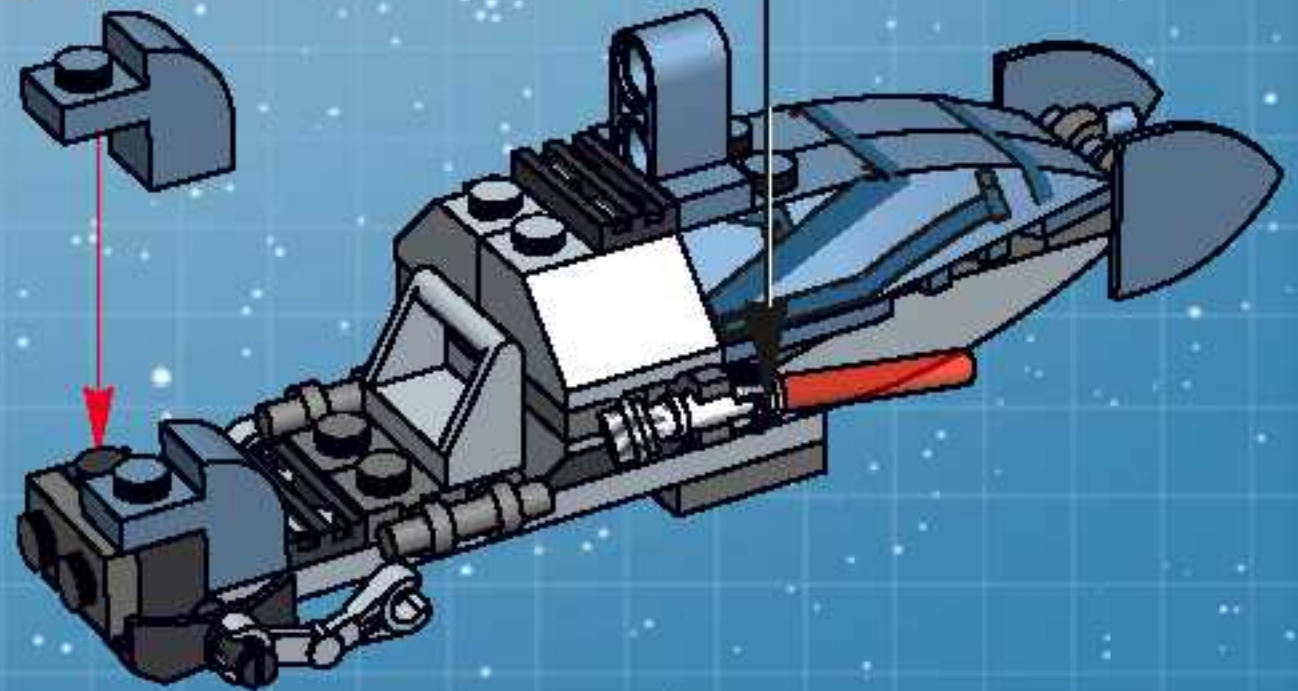
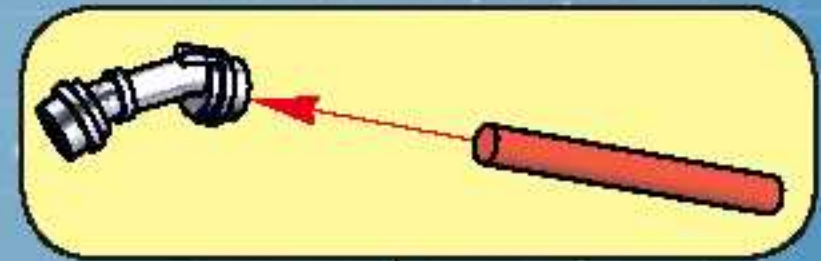
10



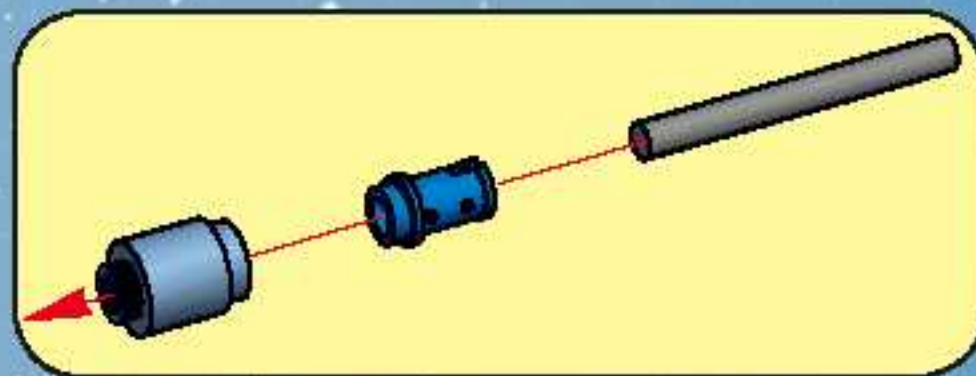
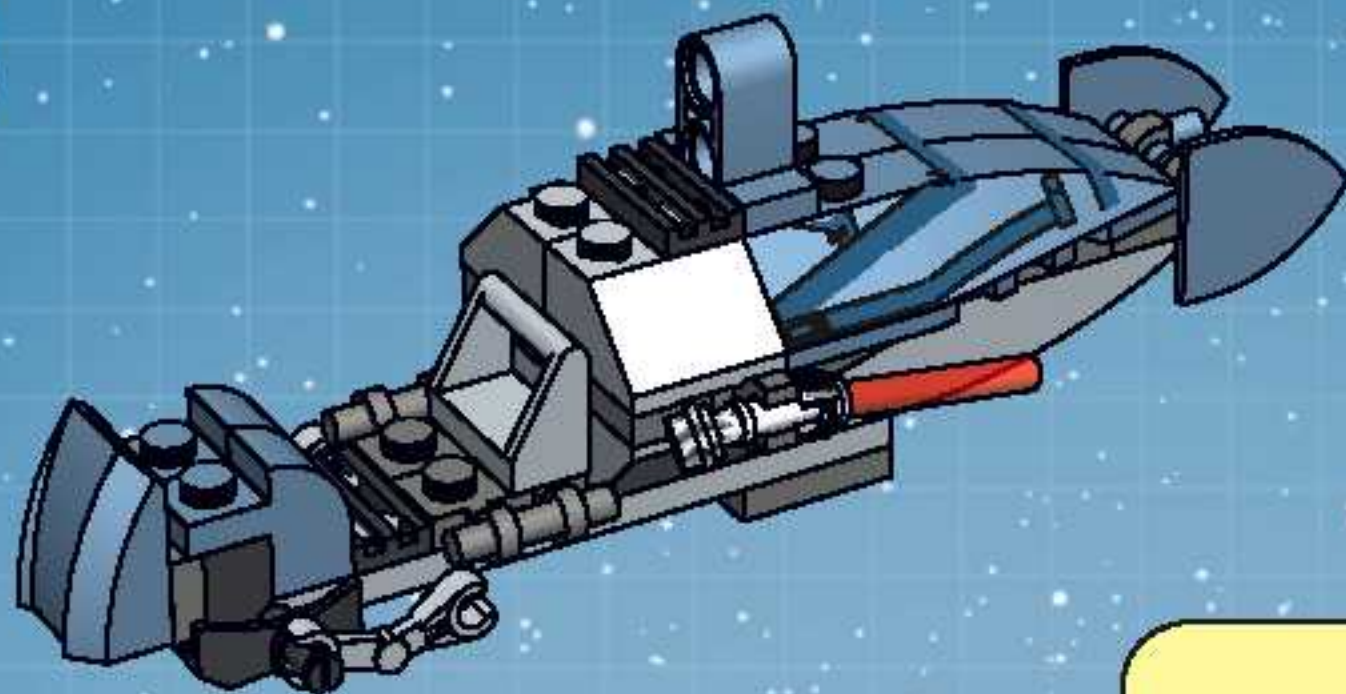
11



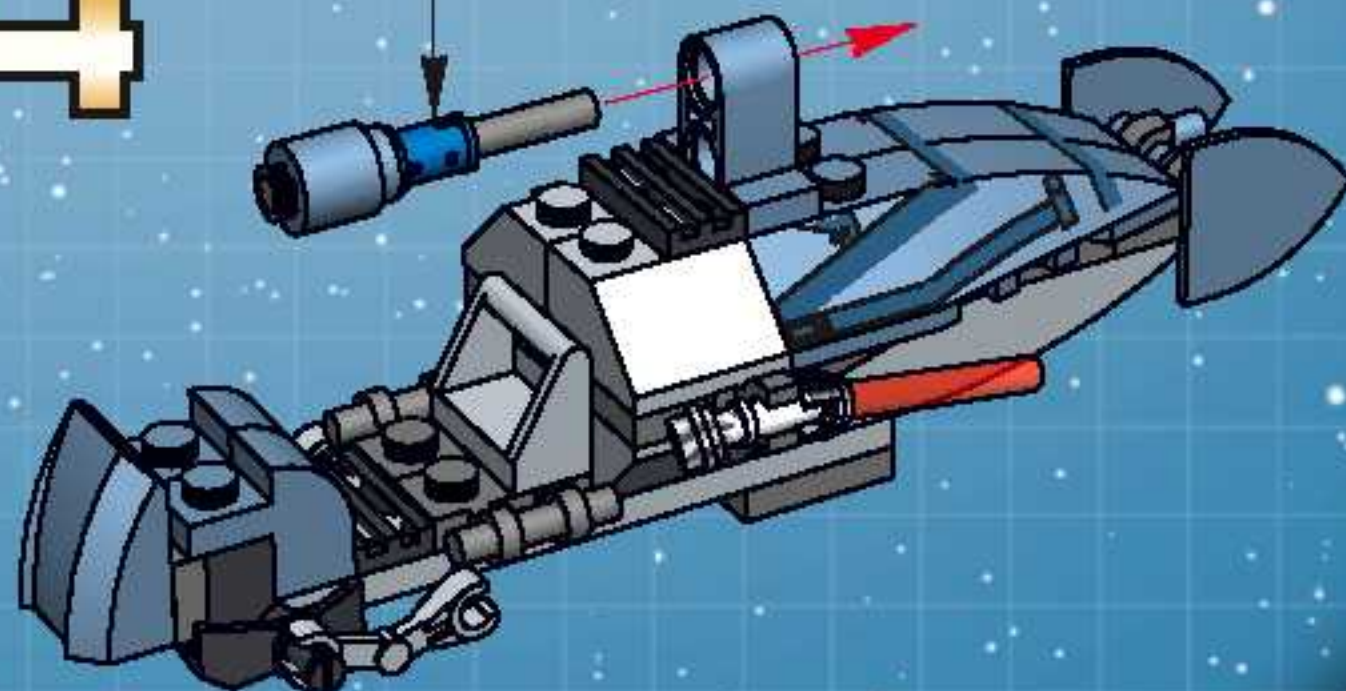
12



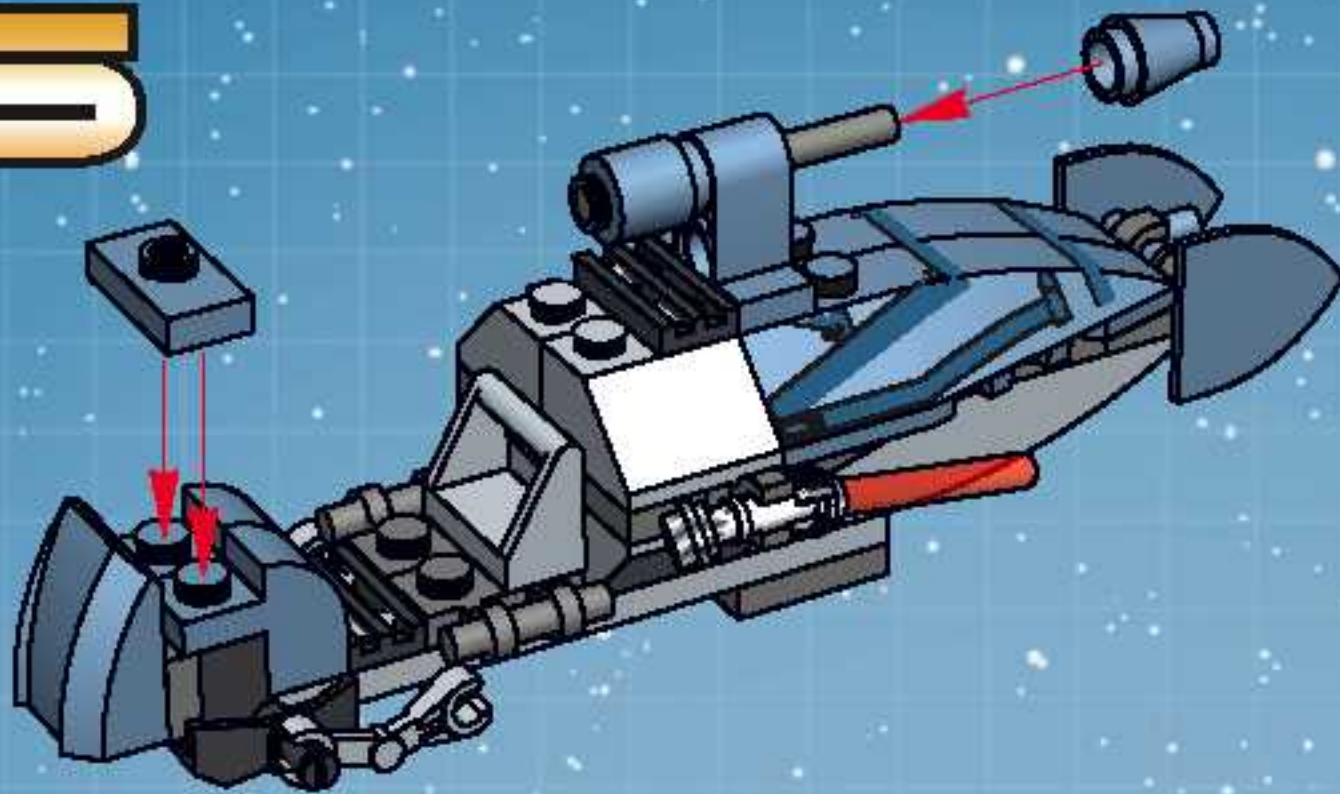
13



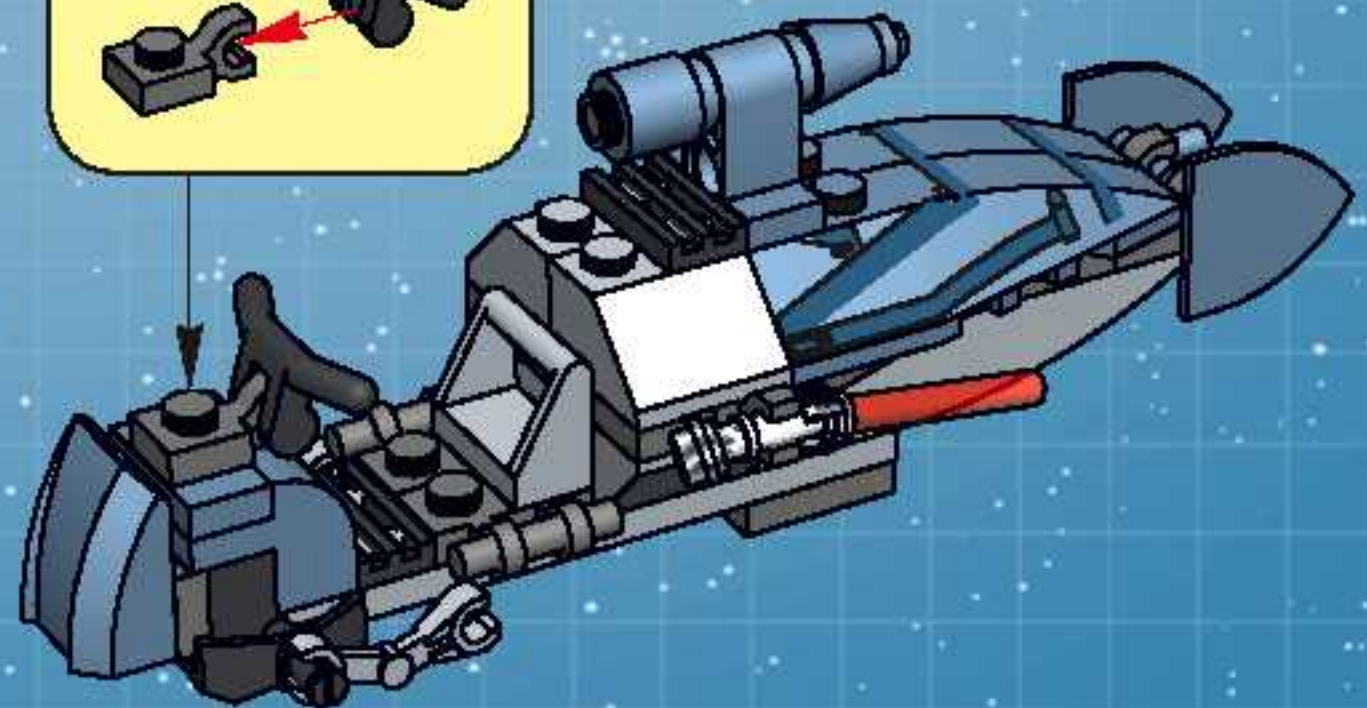
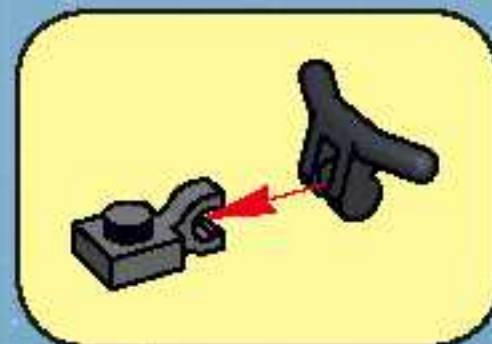
14



15

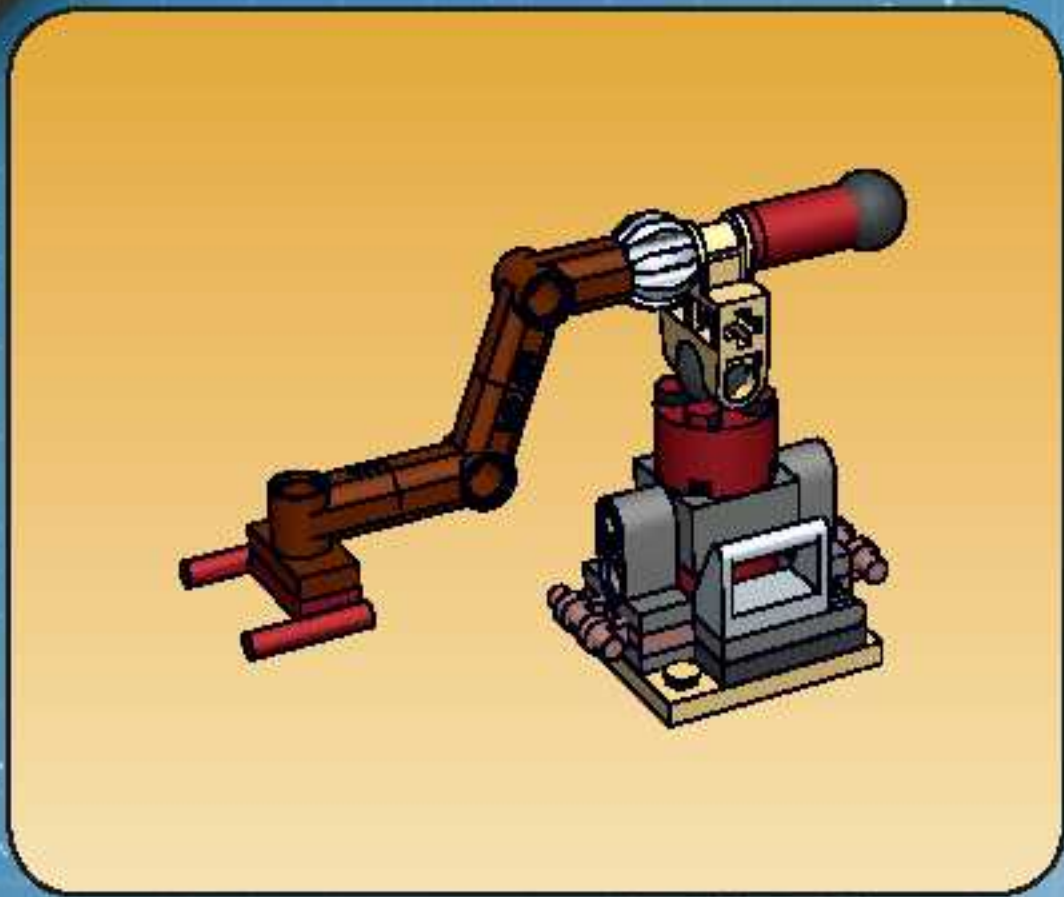


16



17





1



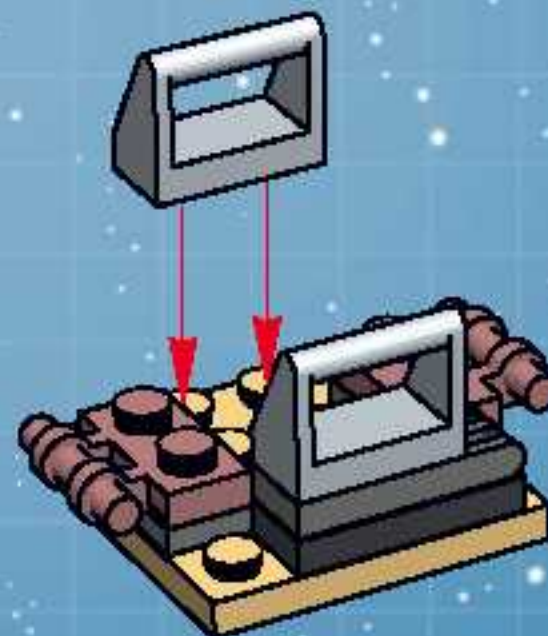
2



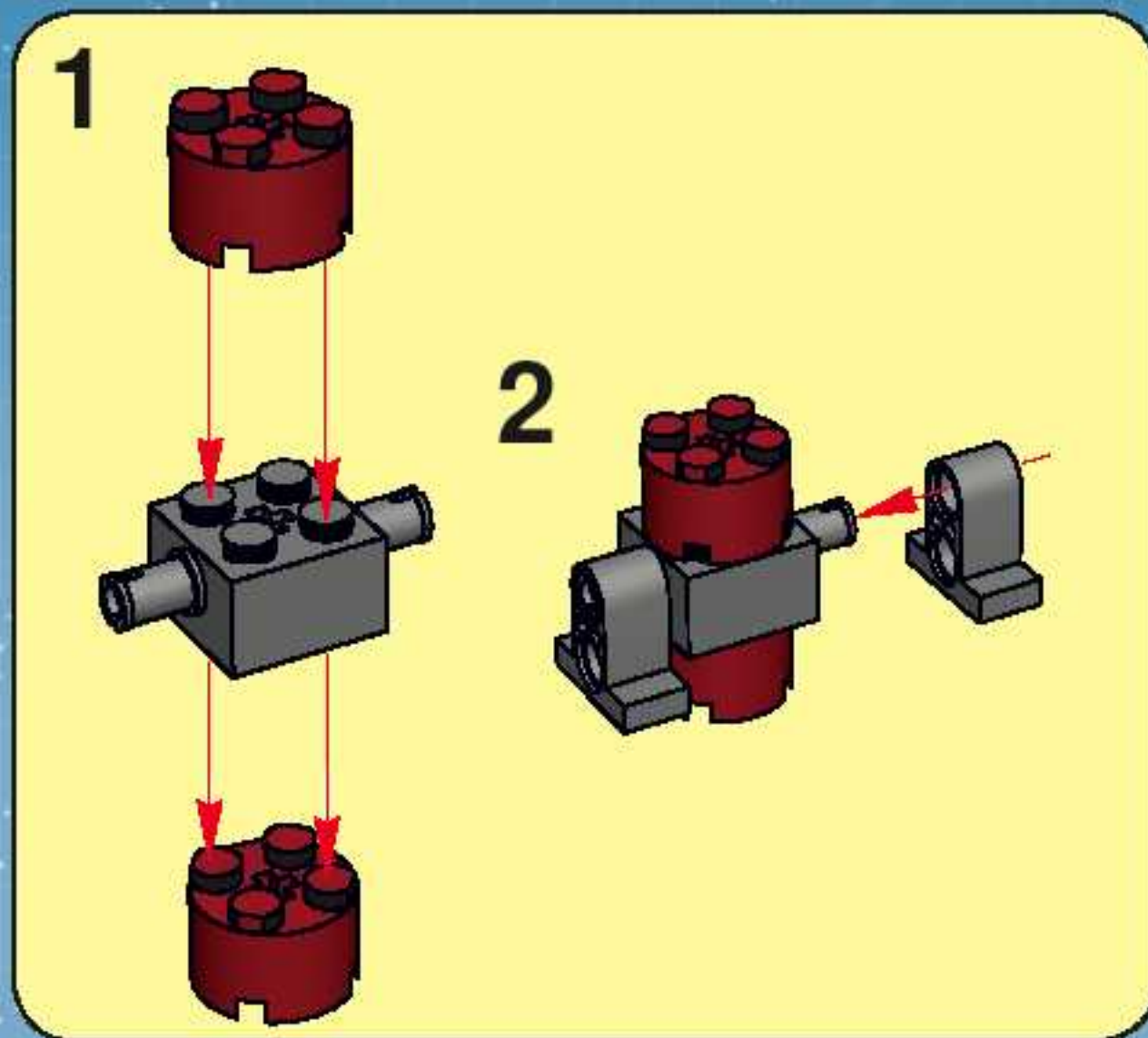
3



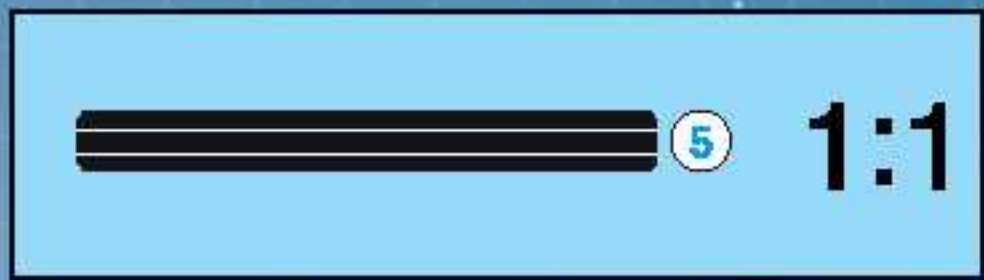
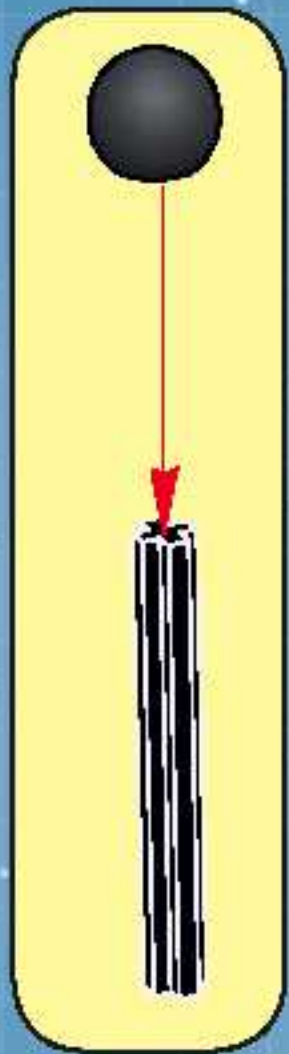
4

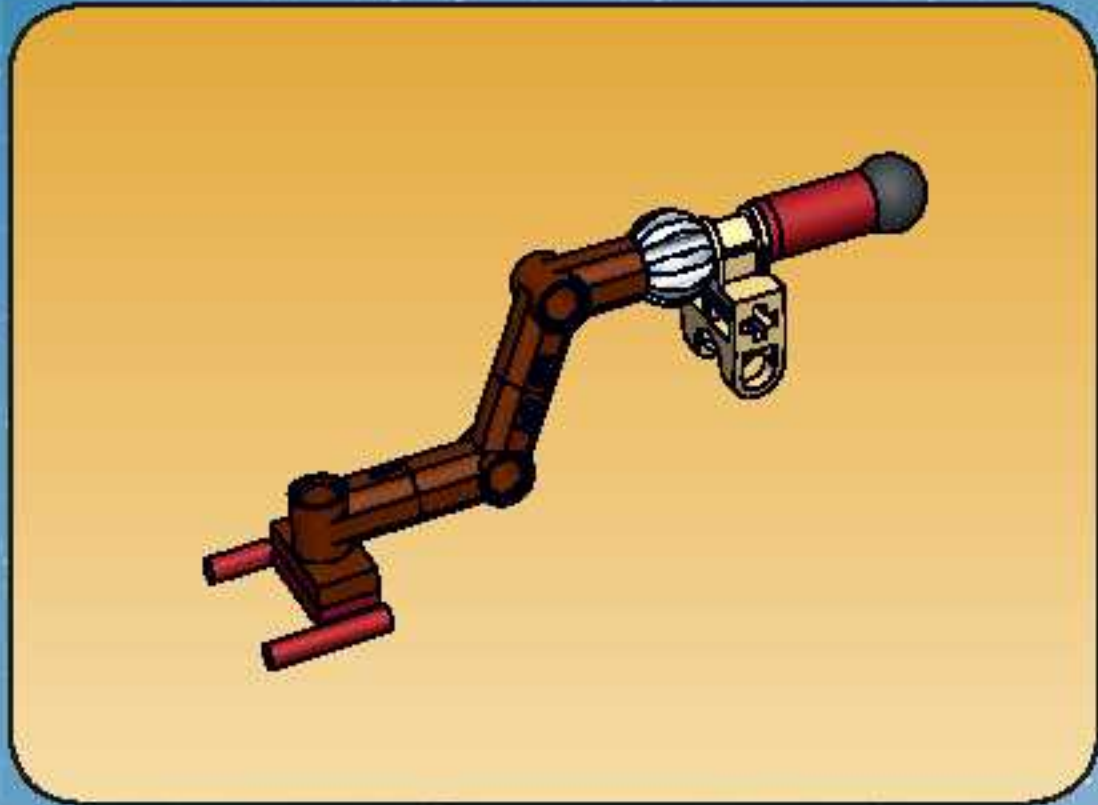


5



6





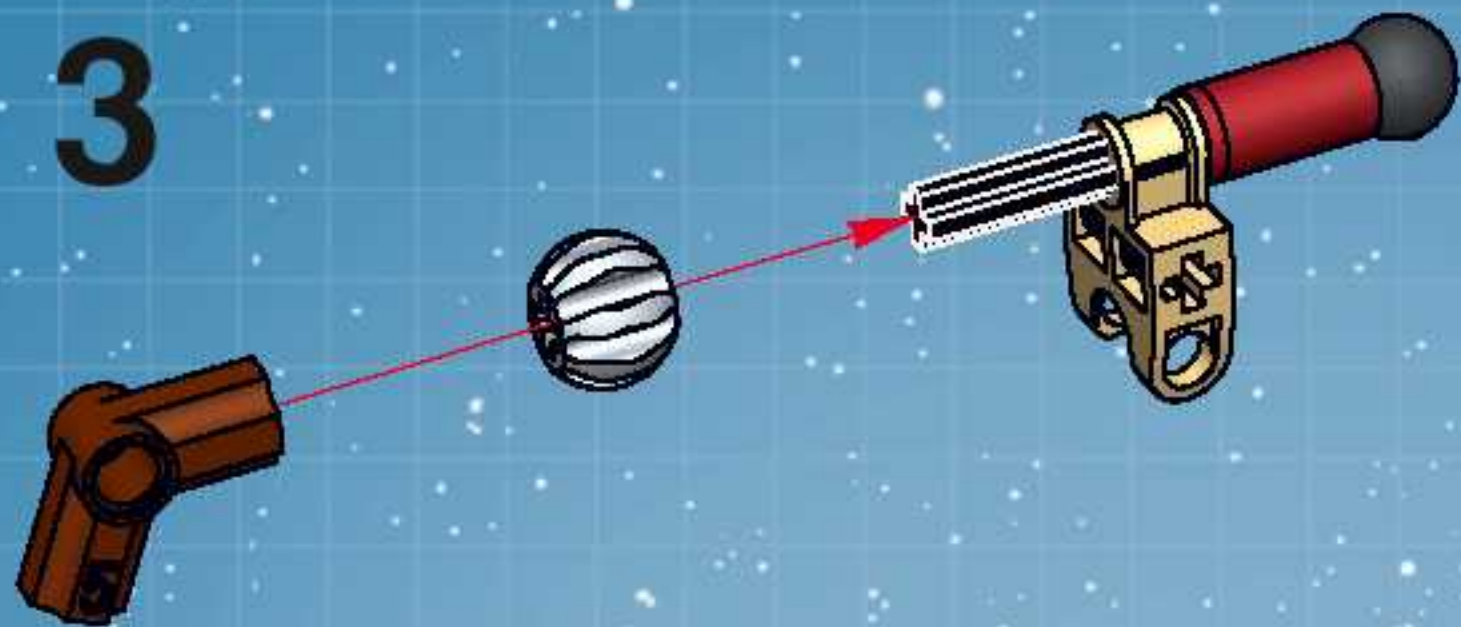
1



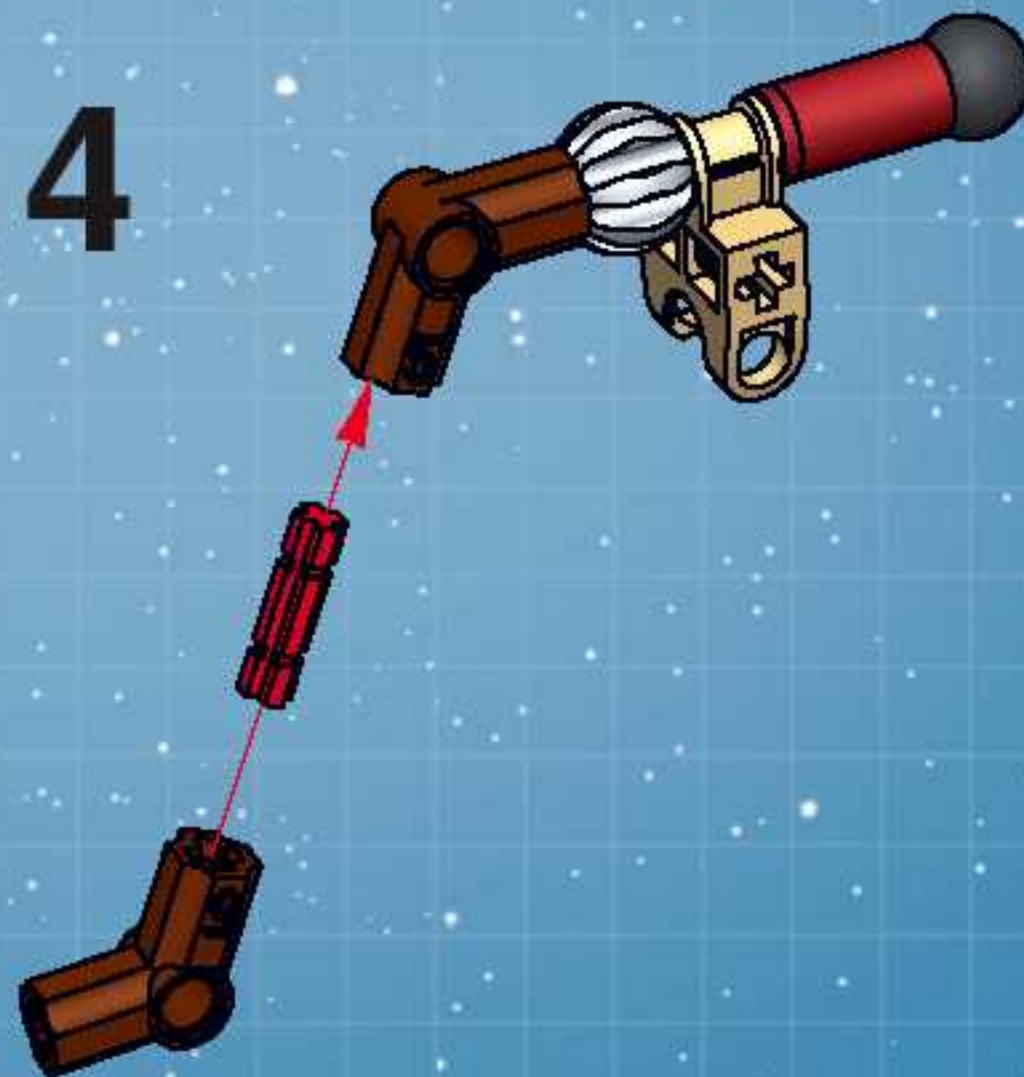
2



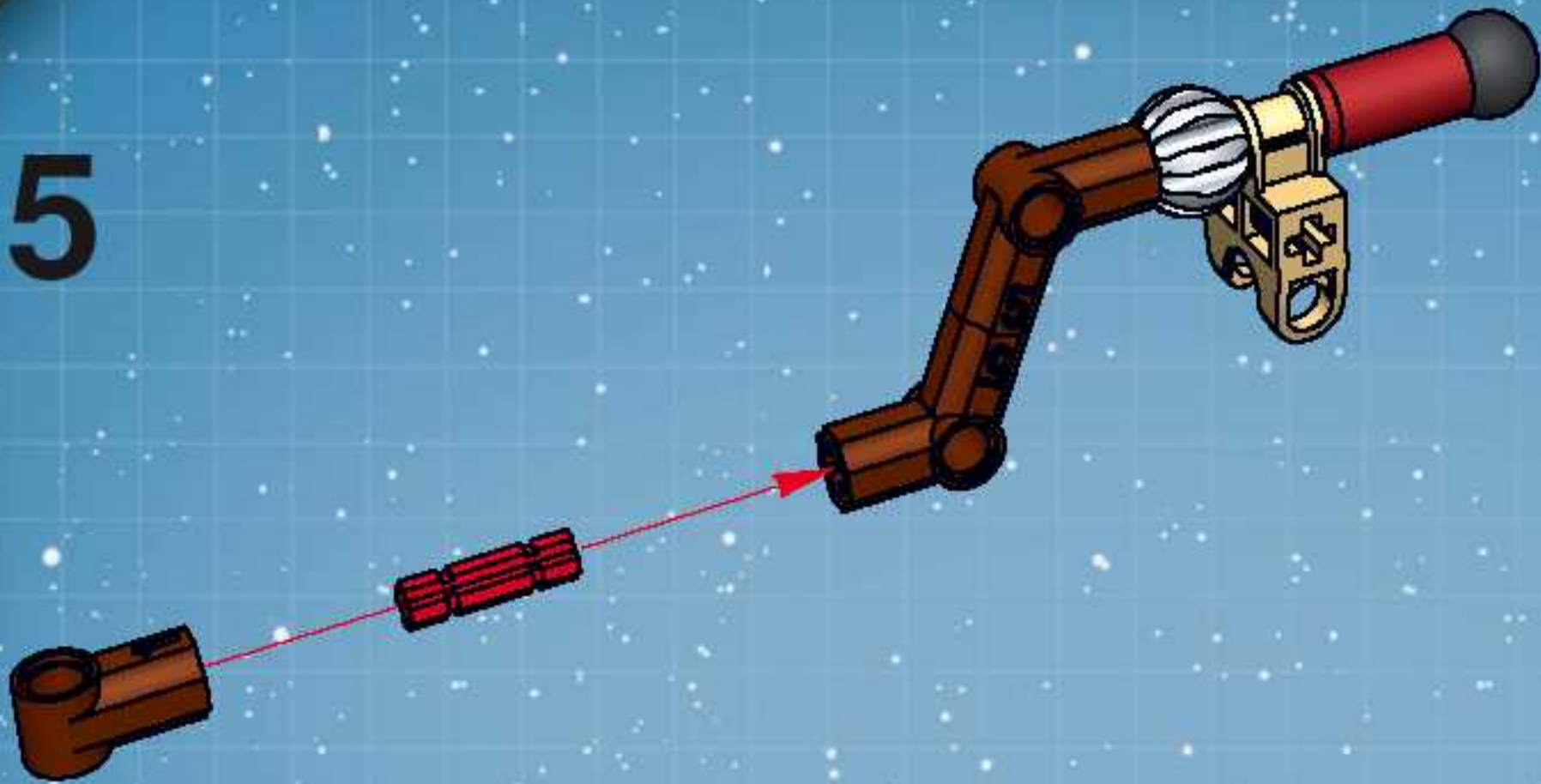
3



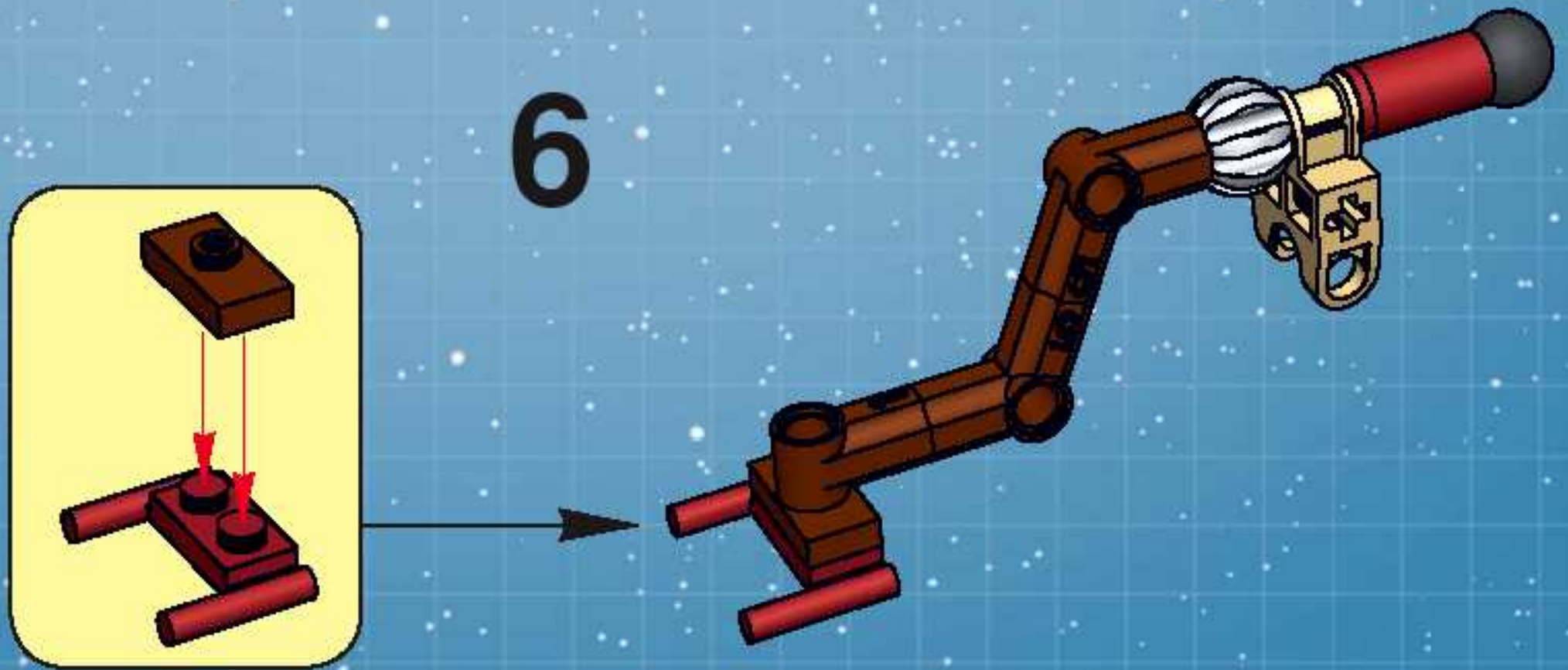
4



5



6



18



19





STAR WARS

ATTACK OF THE CLONES™





711B



7153



7103



7143

7203

7204



STAR
WARS



7200

7201





STAR WARS
WWW.STARWARS.COM

WWW.LEGO.com/starwars

LEGO, the LEGO logo, the LEGO MINDTEC logo and the Minifigures are trademarks of LEGO Group.
©2002 The LEGO Group.

LEGO, the LEGO logo, the LEGO MINDTEC logo and the Minifigures are trademarks of LEGO Group.
©2002 The LEGO Group.