

LEGO

NINJAGO

Masters of Spinjitzu



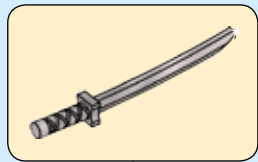
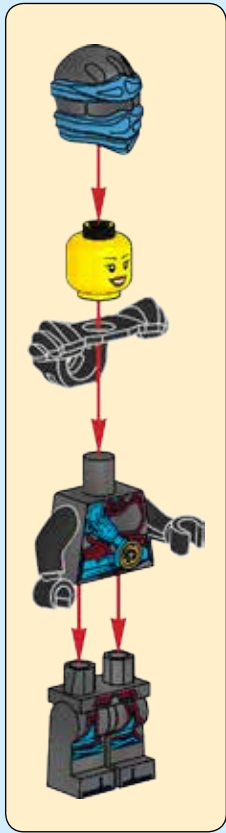
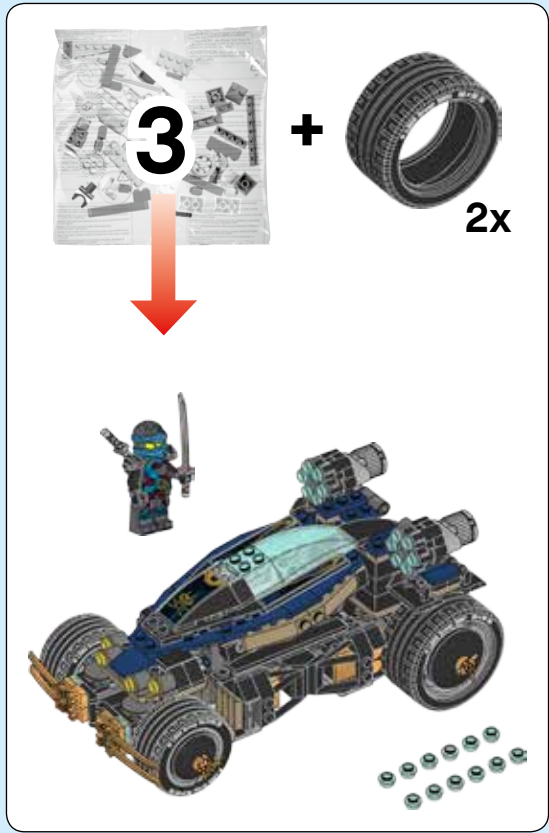
70625

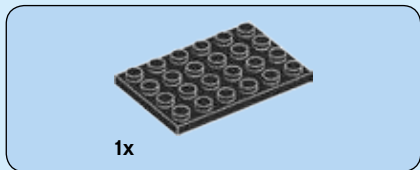


7

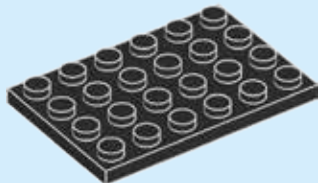
LEGO.com/NINJAGO



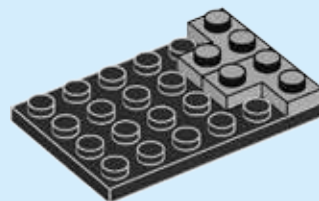


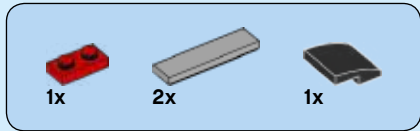


85

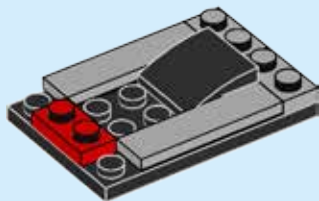


86

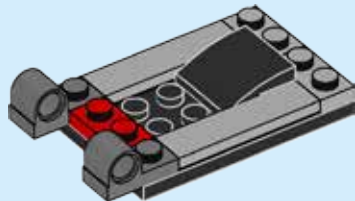




87



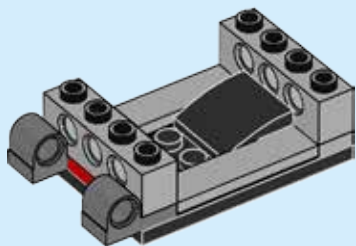
88





2x

89

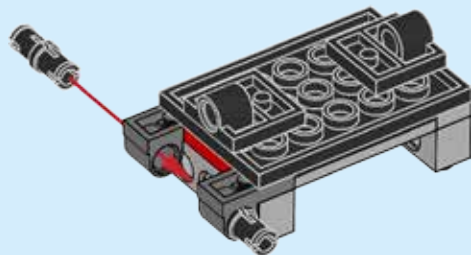
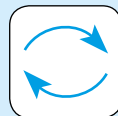


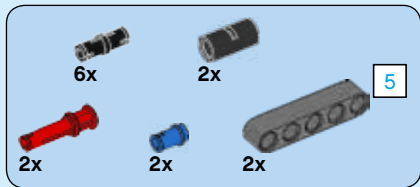
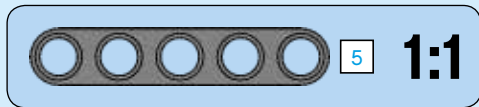
2x



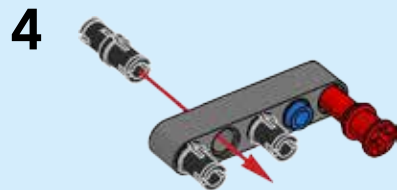
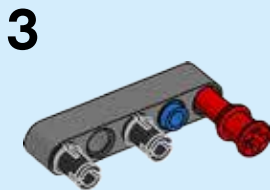
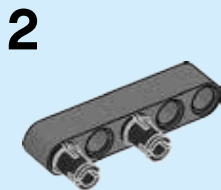
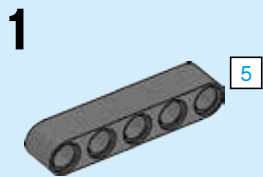
2x

90

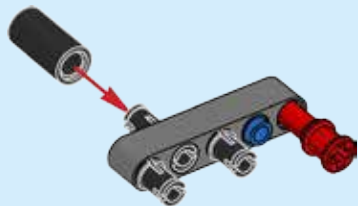




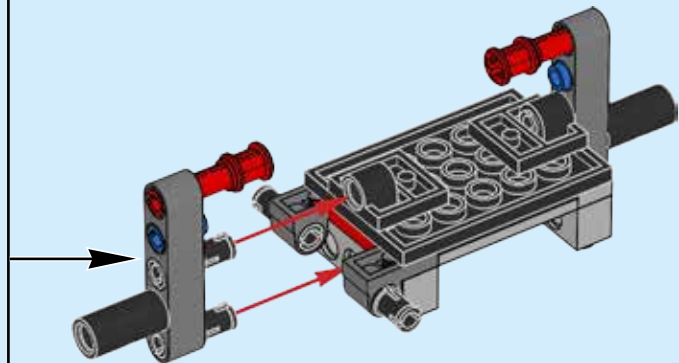
91



5

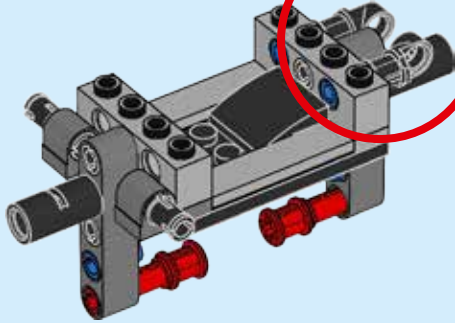
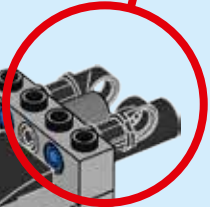
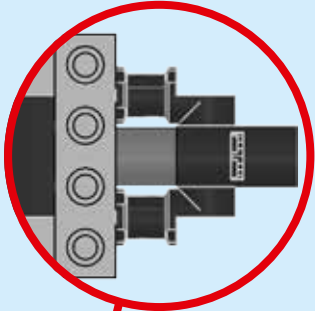
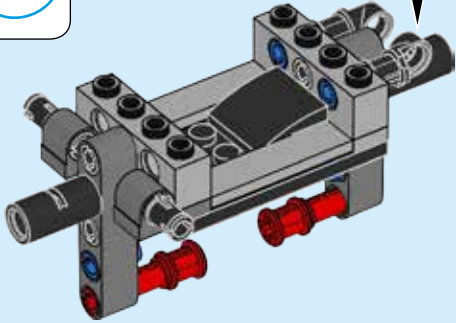


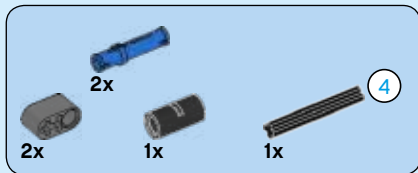
2x



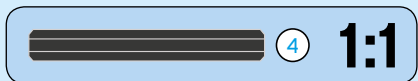
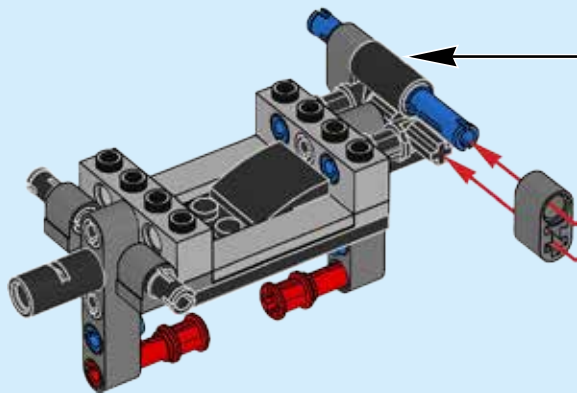
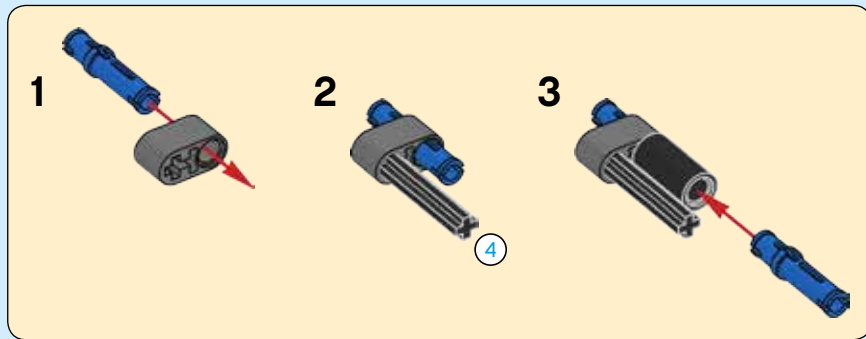


92



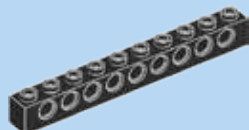


93



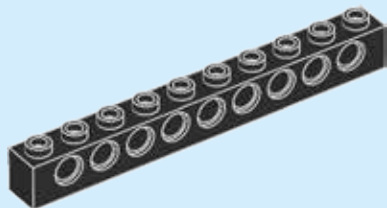


2x



1x

94

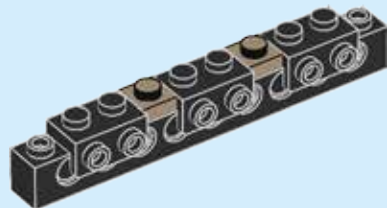


2x



3x

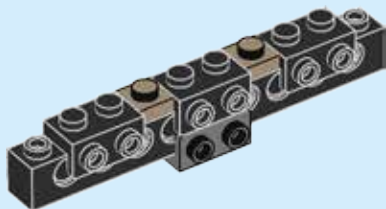
95





1x

96

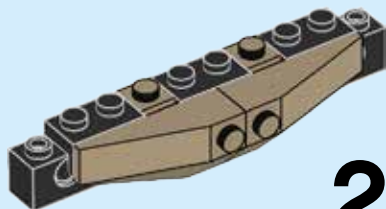


1x



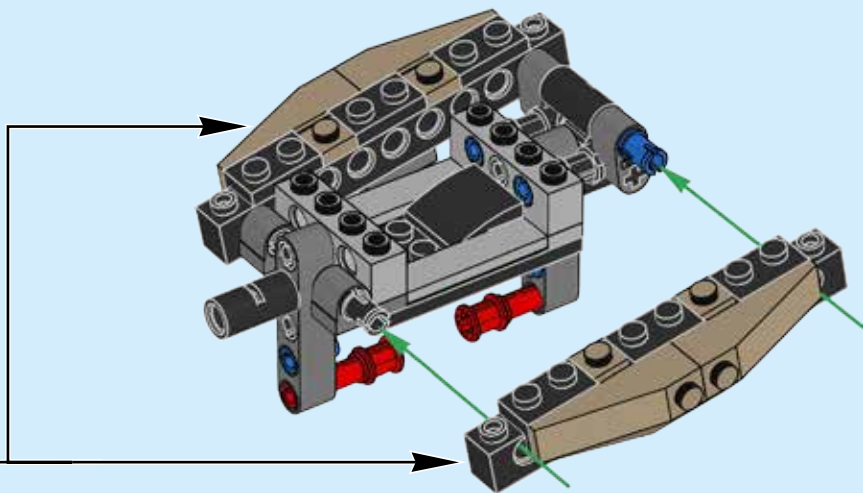
1x

97



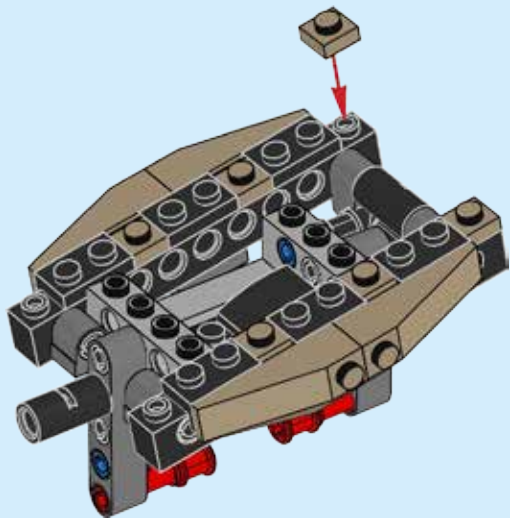
2x

98

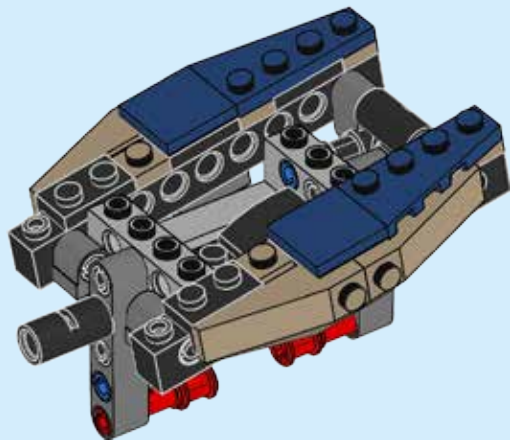




99

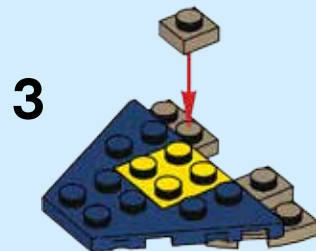


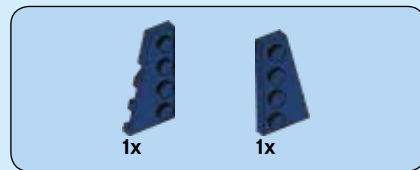
100



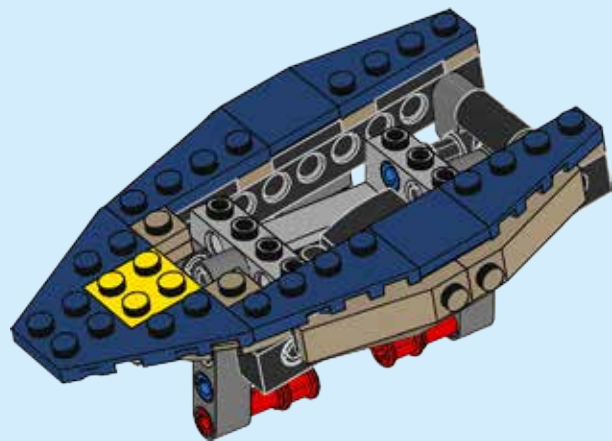
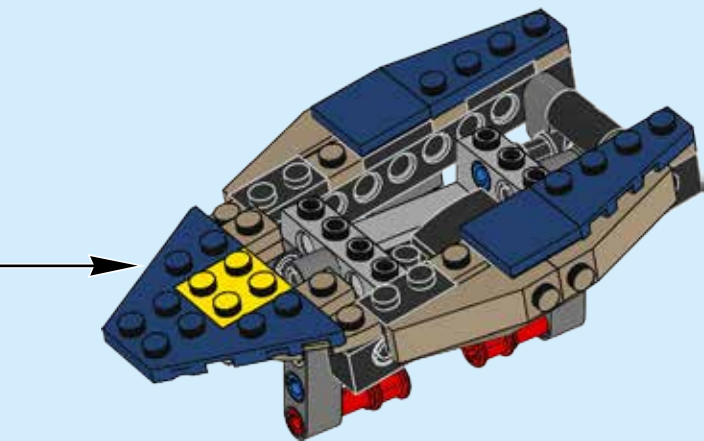


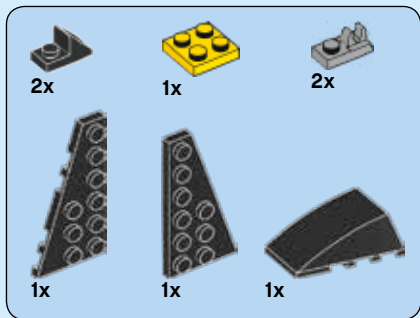
101





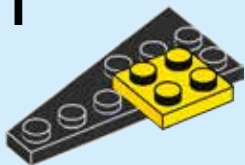
102



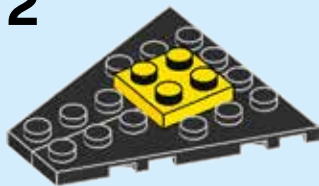


103

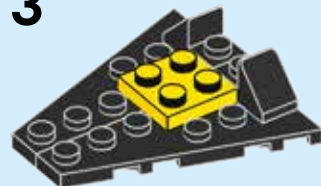
1



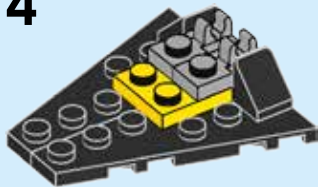
2



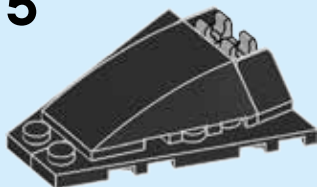
3



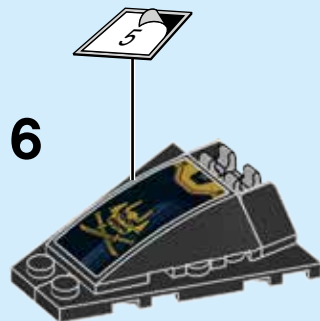
4

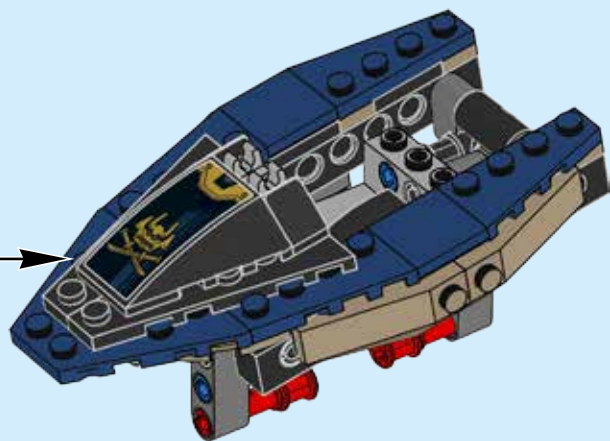


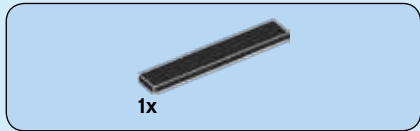
5



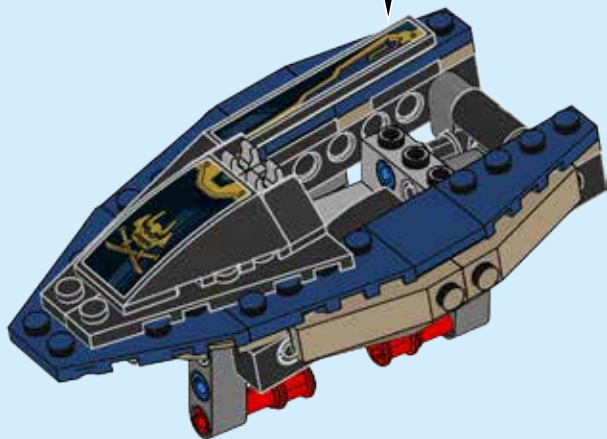
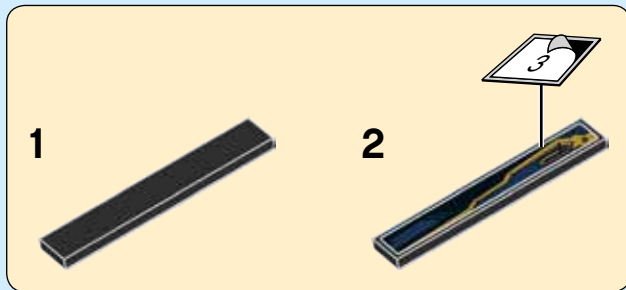
6

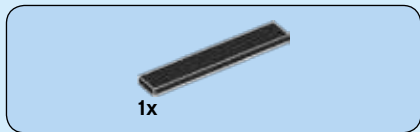




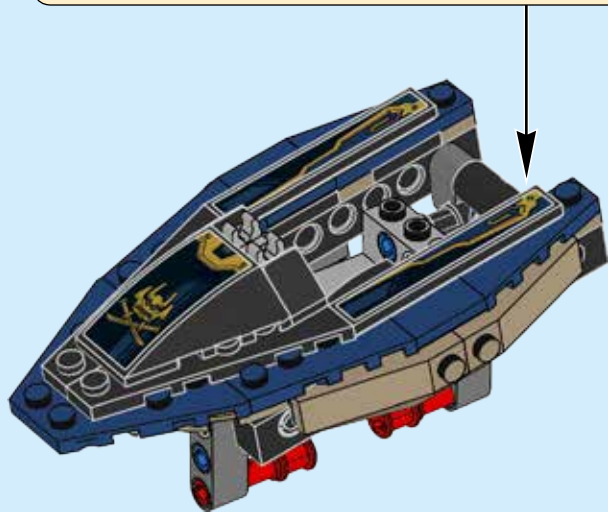
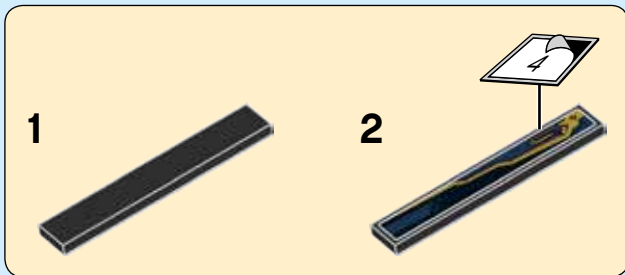


104

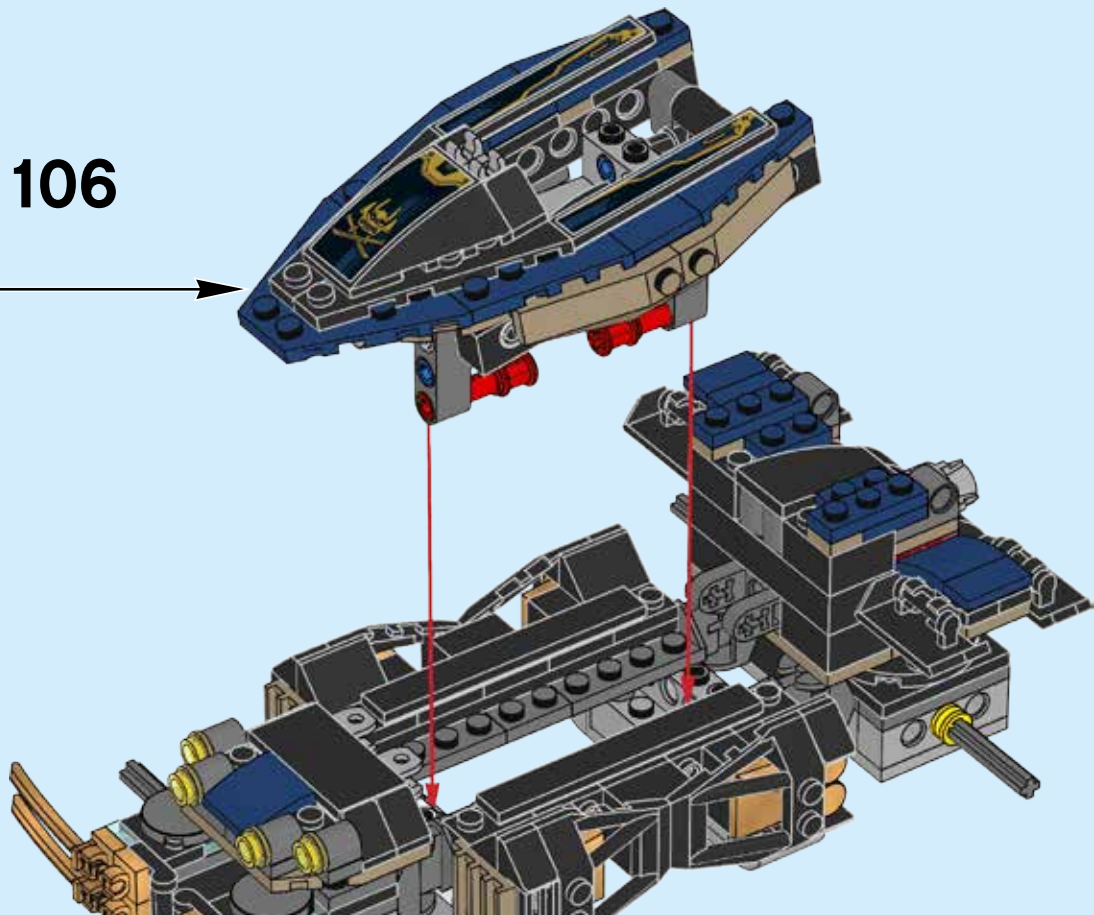




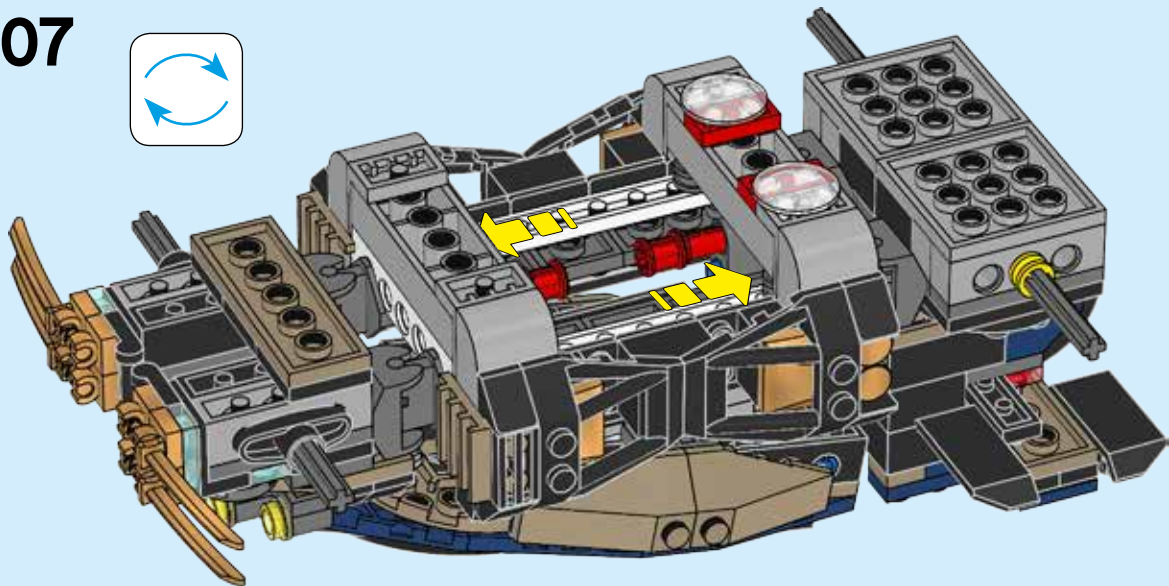
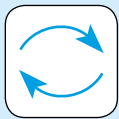
105

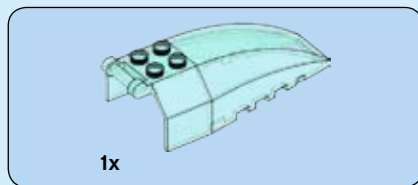


106

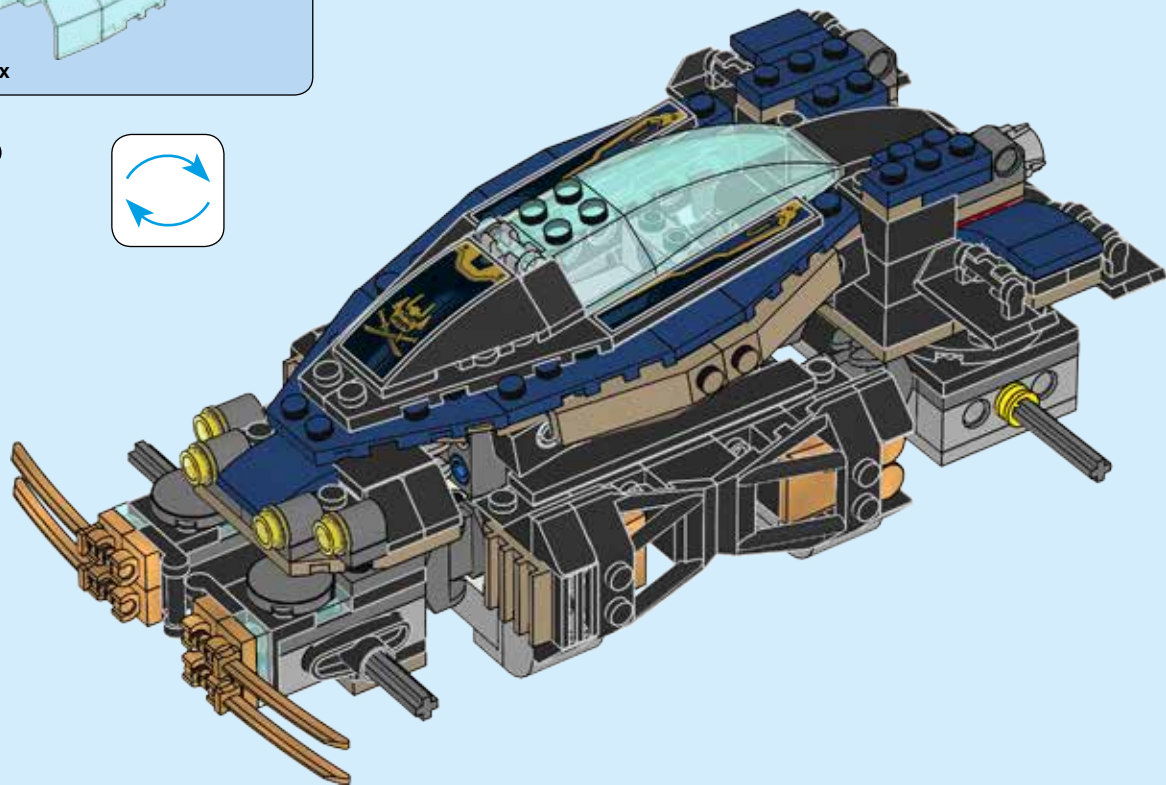
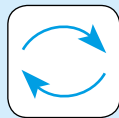


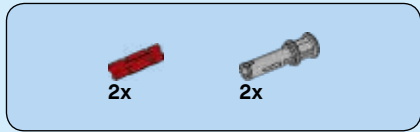
107



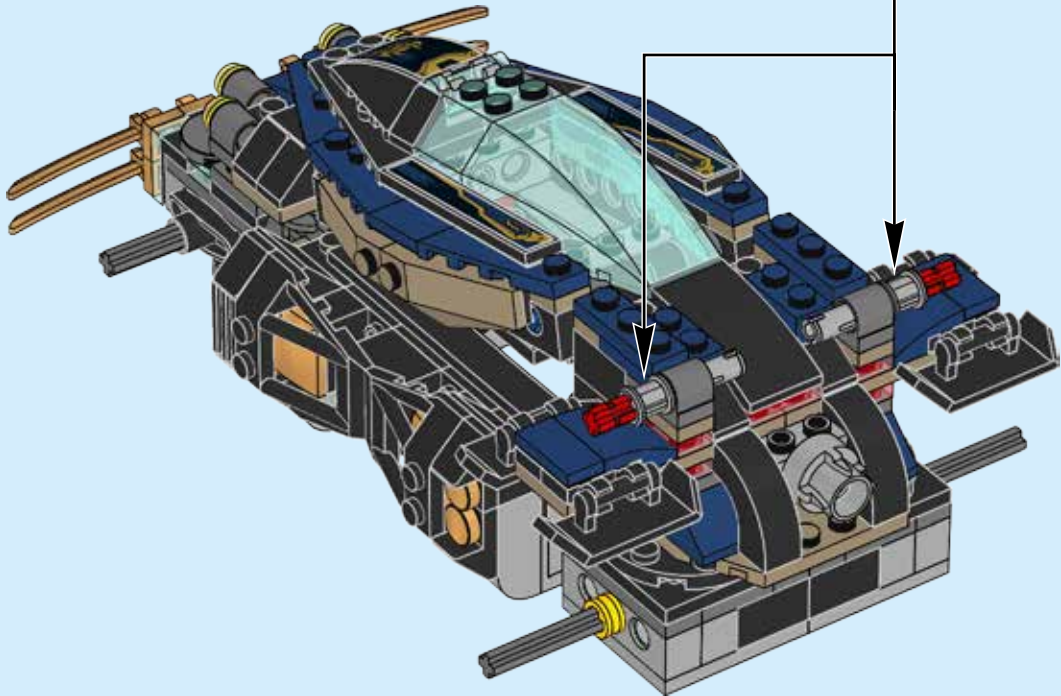
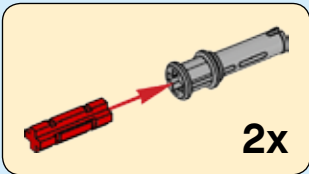


108





109



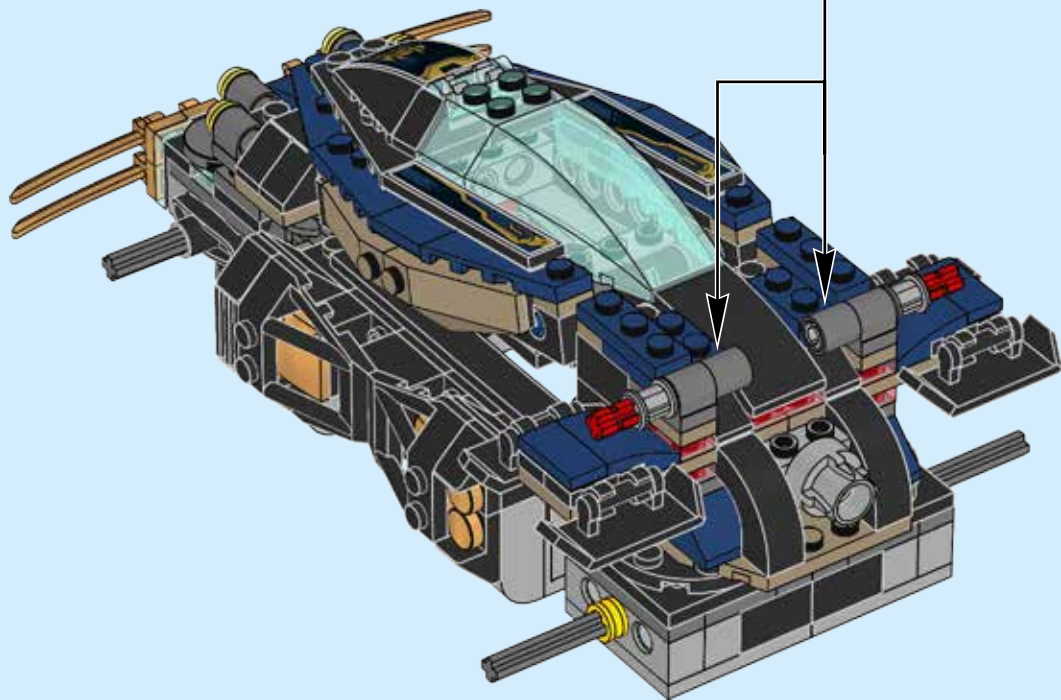


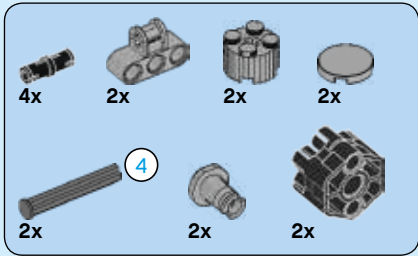
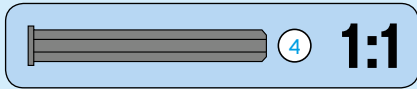
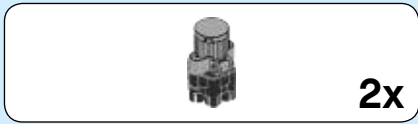
2x

110



2x

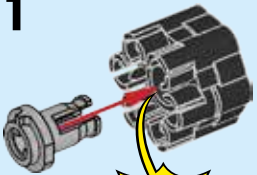




111



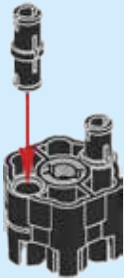
1



CLICK

CLIC

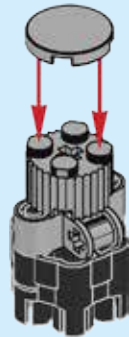
2



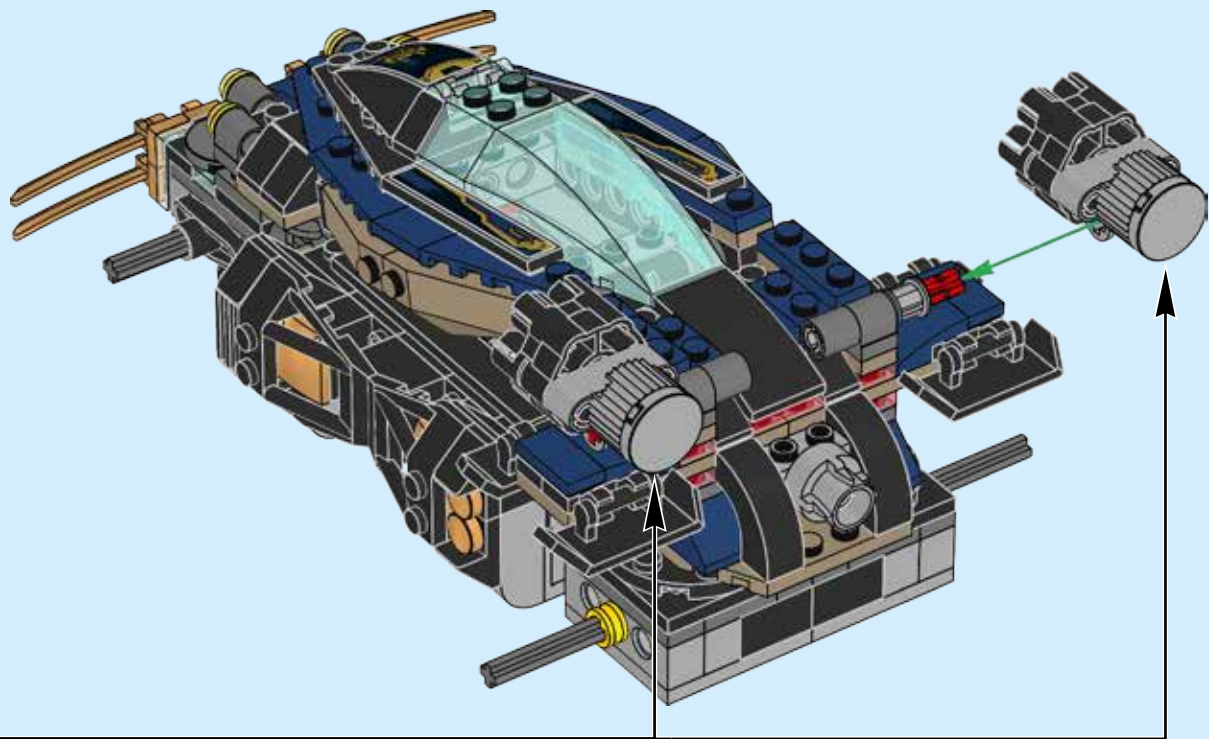
3

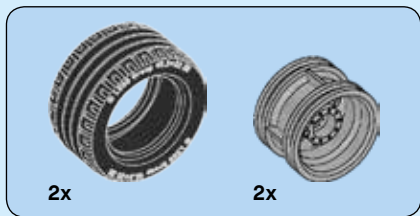


4

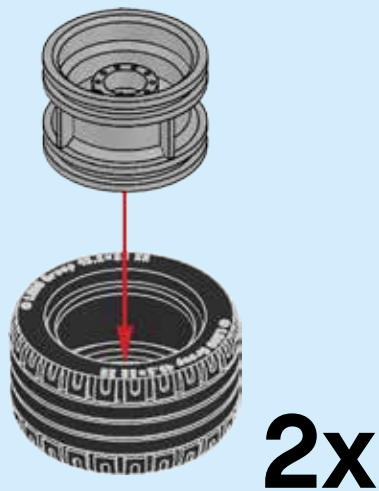


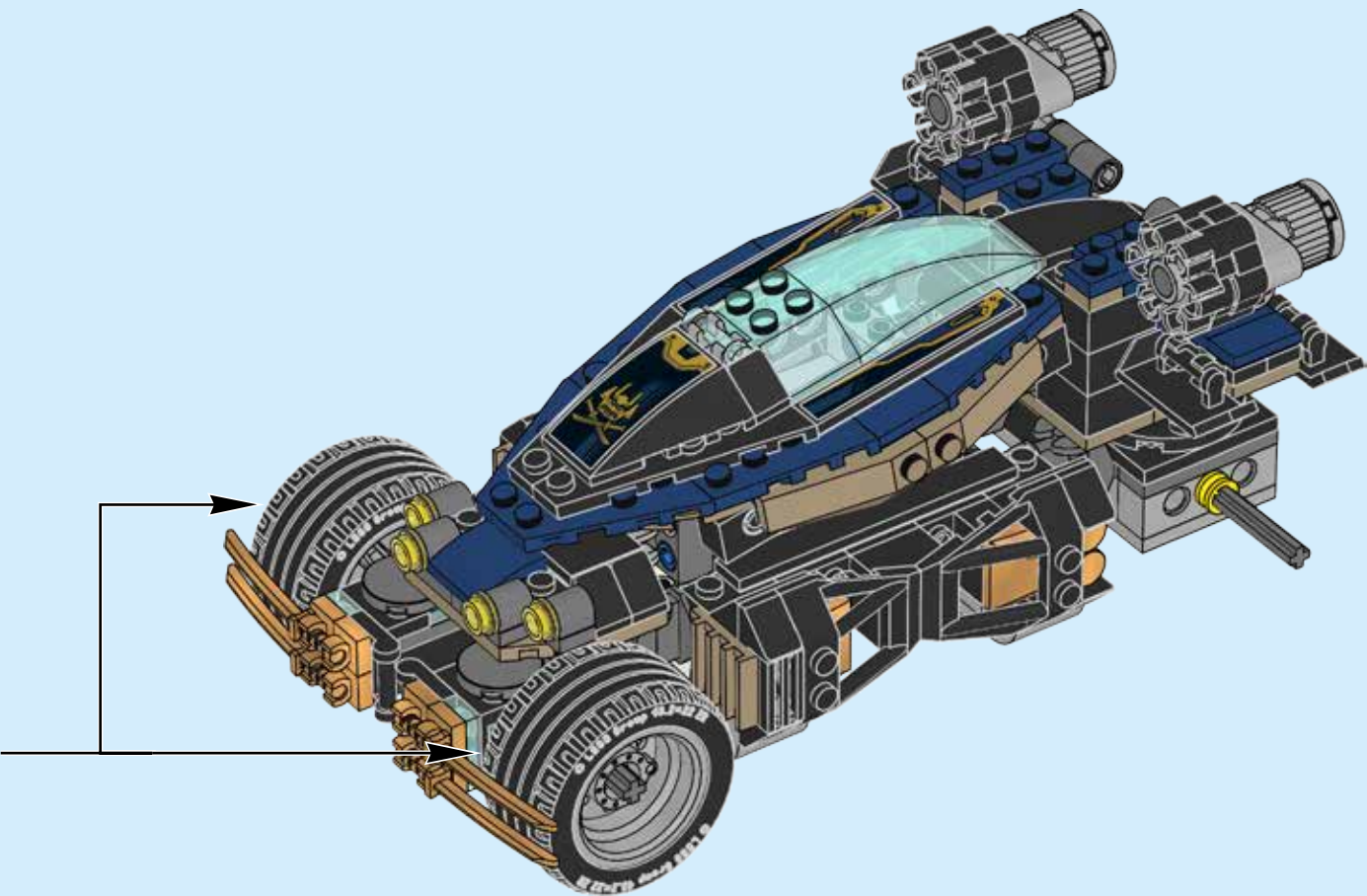
2x





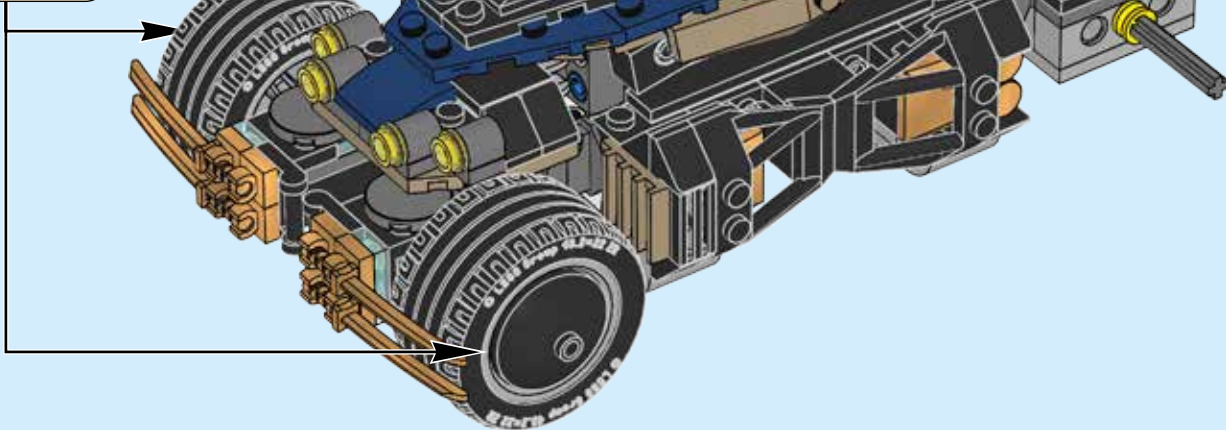
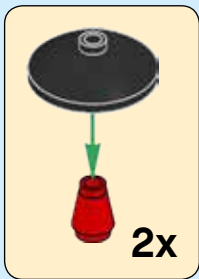
112

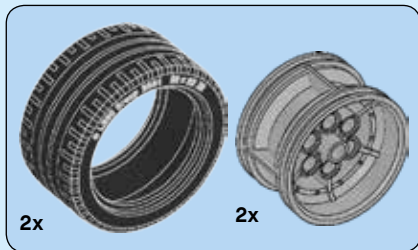




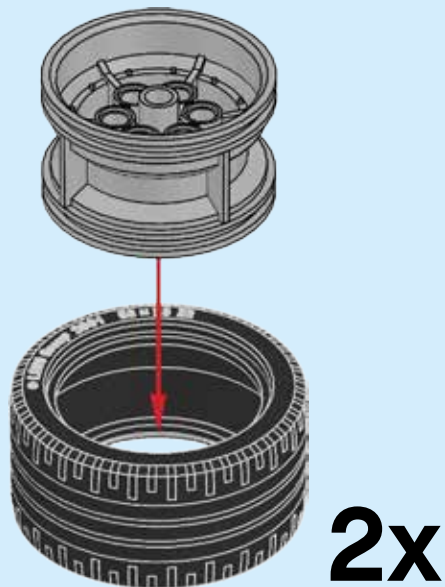


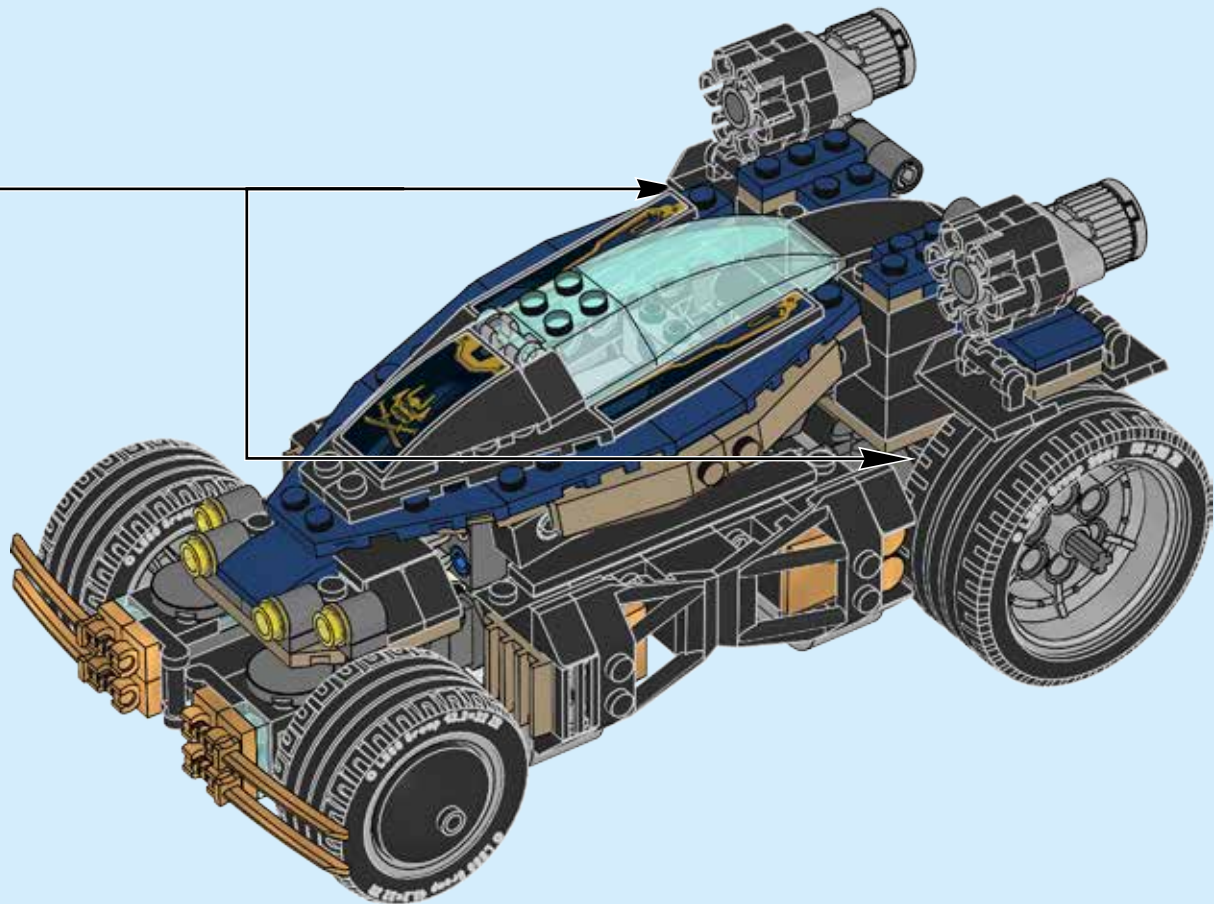
113





114

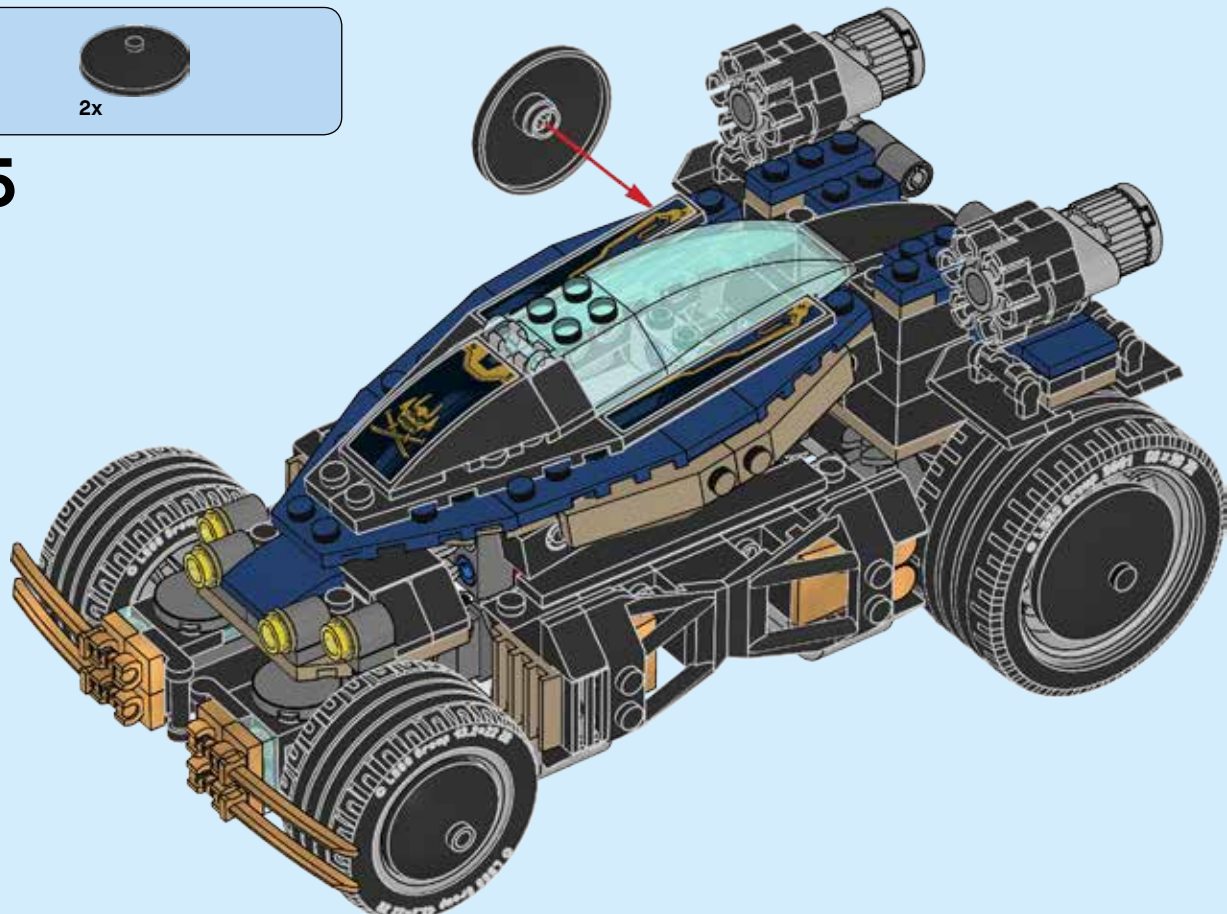








2x

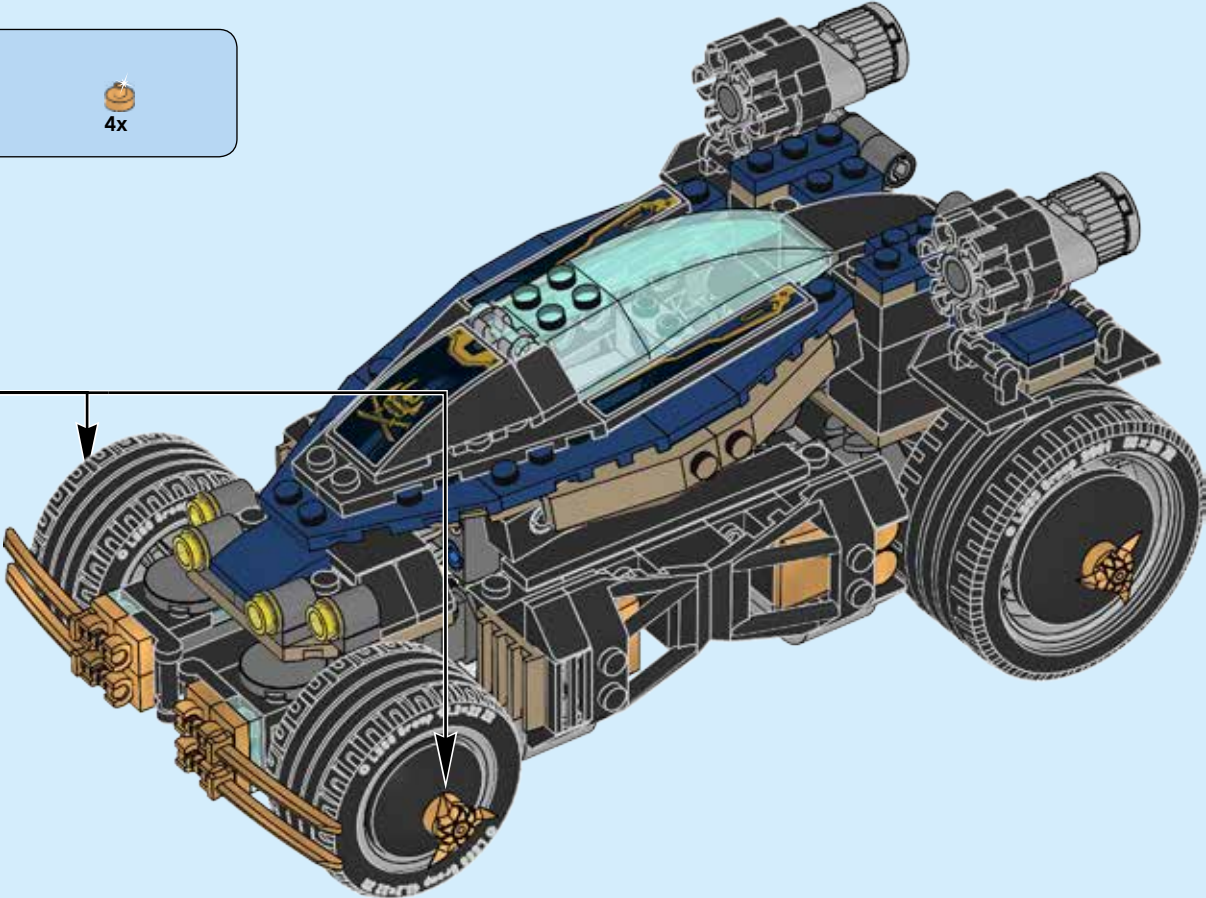
115



4x  4x 

116

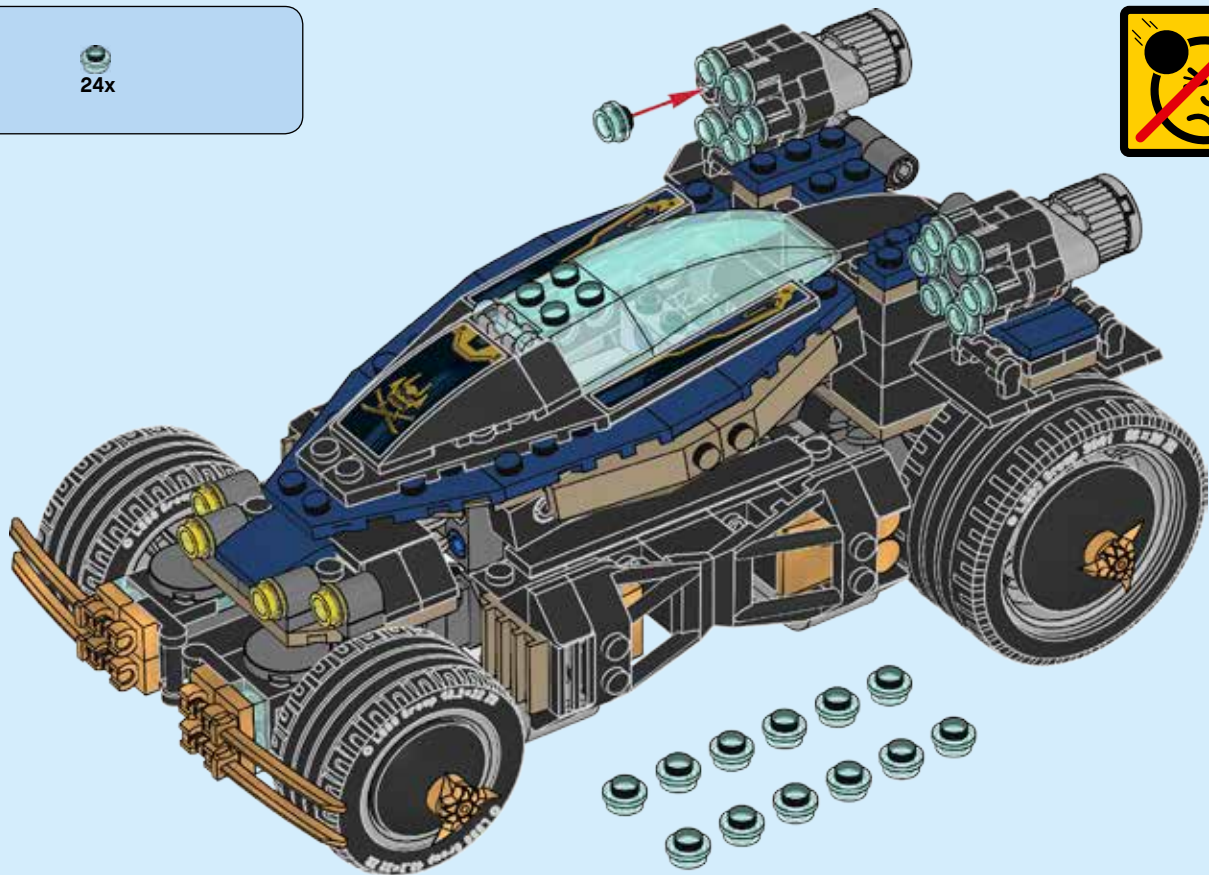

4x 

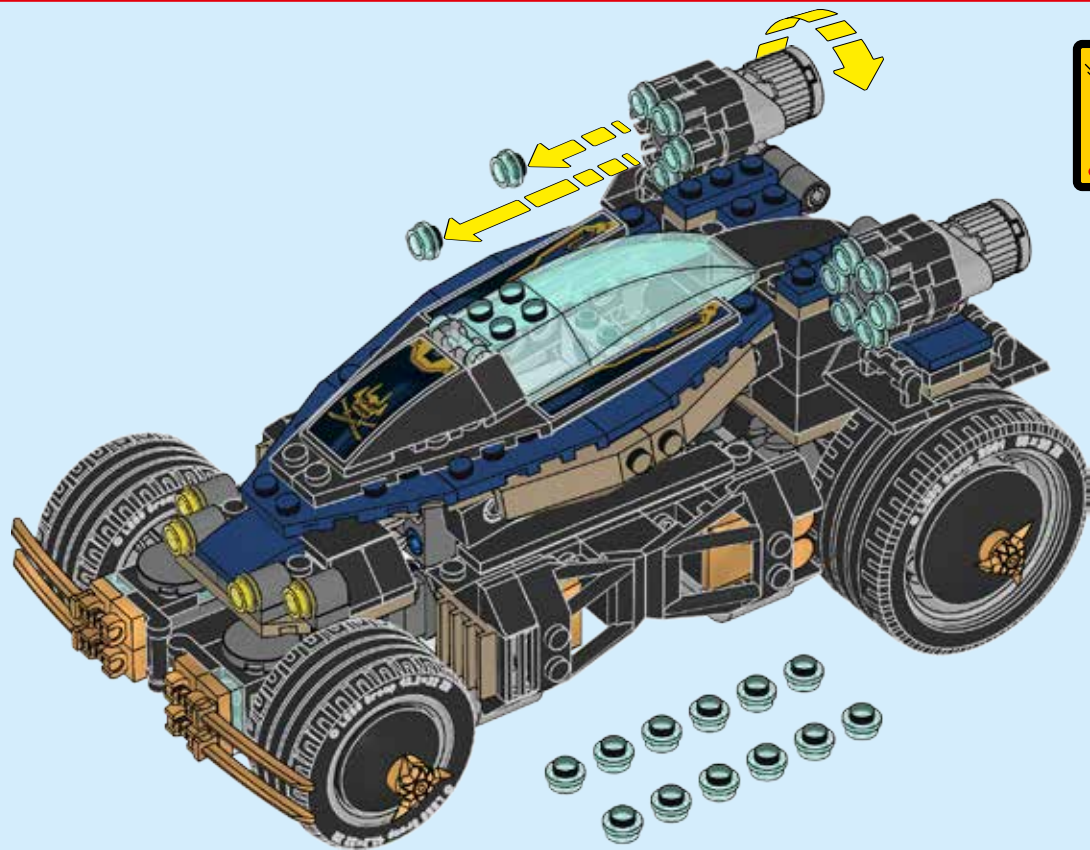


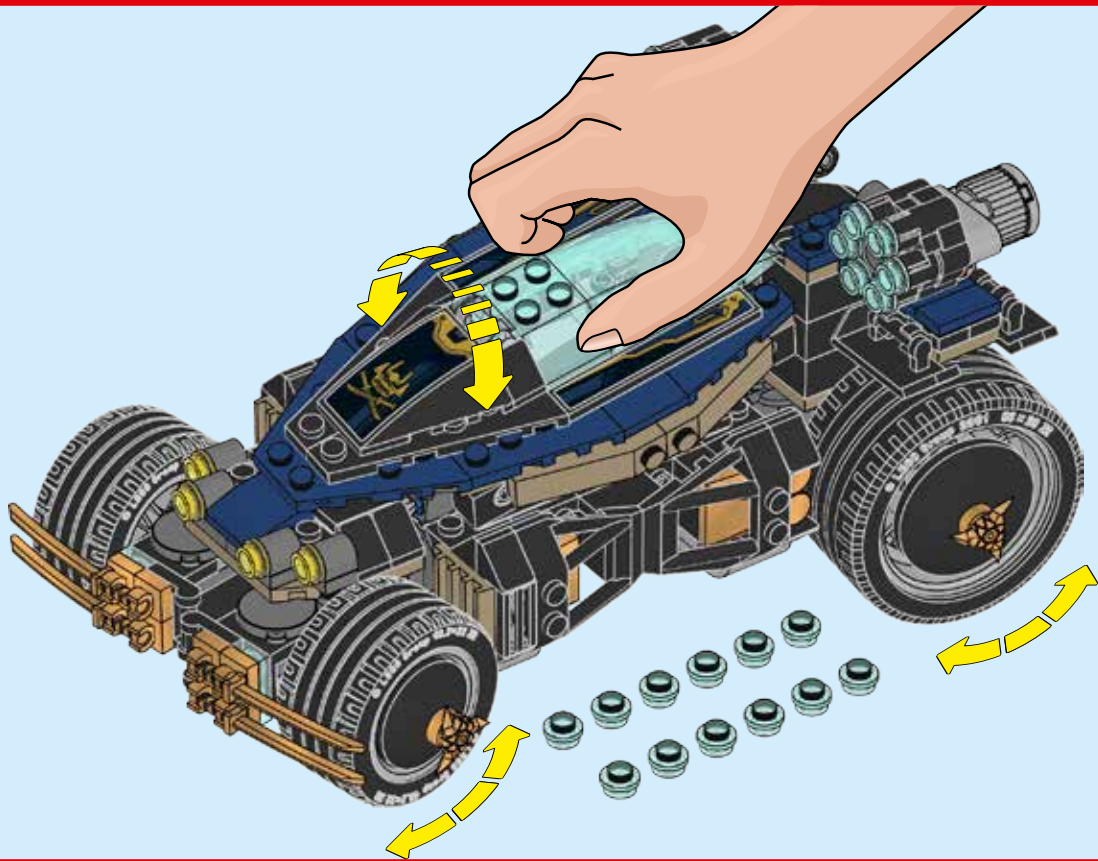


24x

117









LEGO

NINJAGO

Masters of Spinjitzu





NINJAGO

Masters of Spinjitzu



LEGO.COM/NINJAGO



NINJAGO

Masters of Spinjitzu



LEGO.COM/NINJAGO



Download on the
App Store



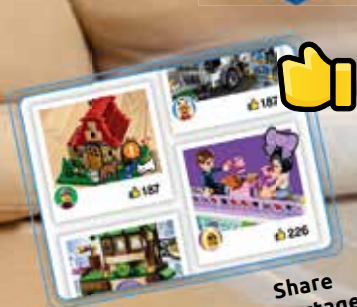
Ask parents' permission first.
Demande d'abord l'autorisation d'un parent.
Pide antes permiso a tus padres.

Apple and the Apple logo are trademarks of Apple Inc.,
registered in the U.S. and other countries. App Store is
a service mark of Apple Inc.

Google Play is a trademark of Google Inc.



Minifigure yourself
 Transforme-toi en figurine
 Conviértete en una minifigura



Share
 Partage
 Comparte



Create
 Crée
 Crea



All your LEGO® fun in one app
 Tout l'amusement LEGO® dans une appli
 Toda la diversión LEGO® en una app

Download on the
 App Store

GET IT ON
 Google play

Check availability of LEGO LIFE in your country now on LEGO.com/life
 Vérifie la disponibilité de LEGO LIFE dans ton pays sur LEGO.com/life
 Consulta si LEGO LIFE está disponible en tu país en LEGO.com/life

Ask parents' permission first.
 Demande d'abord l'autorisation d'un parent.
 Pide antes permiso a tus padres.

Apple and the Apple logo are trademarks of Apple Inc., registered in the U.S. and other countries.
 App Store is a service mark of Apple Inc. Google Play is a trademark of Google Inc.

LEGO, the LEGO logo, the Minifigure, the Brick and Knob configurations and the LIFE logo are trademarks and/or copyrights of the/sont des marques de commerce et/ou copyrights du/son marcas registradas, algunas de ellas protegidas por derechos de autor, de LEGO Group. ©2017 The LEGO Group. All rights reserved/Tous droits réservés/Todos los derechos reservados.

LEGO NINJAGO[®]
The Ride



EXCLUSIVAMENTE EN LEGOLAND

LEGO
LEGOLAND
RESORTS
LEGOLAND DISCOVERY CENTER
CALIFORNIA • FLORIDA

EXCLUSIVELY! • EXCLUSIVEMENT! • ¡EN EXCLUSIVA! • EXCLUSIVELY!

BORDER PROTECTION

LEGO
LEGOLAND
DISCOVERY CENTER

Arizona • Atlanta • Boston • Chicago
Dallas/Fort Worth • Kansas City • Michigan
Philadelphia • Toronto • Westchester



LEGO, the LEGO logo, NINJAGO, the NINJAGO logo, the Minifigure and LEGOLAND are trademarks and/or copyrights of the/son des marques de commerce et/ou copyrights du/son marcas registradas, algunas de ellas protegidas por derechos de autor, de LEGO Group. ©2017 The LEGO Group. LEGOLAND is part of Merlin Entertainments plc.

LEGOLAND.COM



NEXO KNIGHTS



LEGO.COM/NEXOKNIGHTS

LEGO.COM/DEVICECHECK



4


2x
4143005


2x
4206482


2x
4514553


2x
4239601


1x
4651443


2x
302224


1x
4114348


2x
4278412



2x
3000841


4x
4201019

46


24x
4163917


4x
6051918


1x
6172928


4x
3005744


1x
4504705


10x
4549436


2x
4528604


2x
6172767


2x
6004712


2x
6004711


1x
6096108


4x
4550329


2x
6097646


2x
4529954


2x
4502091


2x
4528488


3x
6061569


2x
4205004


2x
4153653


2x
4177735


2x
6132157


1x
6172284


1x
6176371


1x
6164191


1x
6029774


1x
6162975


1x
6102360


2x
4211199


1x
4278756


2x
6052200


2x
4650645


4x
4540203


2x
6097090


4x
4654580


2x
4598526


2x
4530469



2x
4211353


1x
6045988


1x
4237084



2x
4211865


2x
4538007


4x
4217918


2x
4211356


8x
4211441

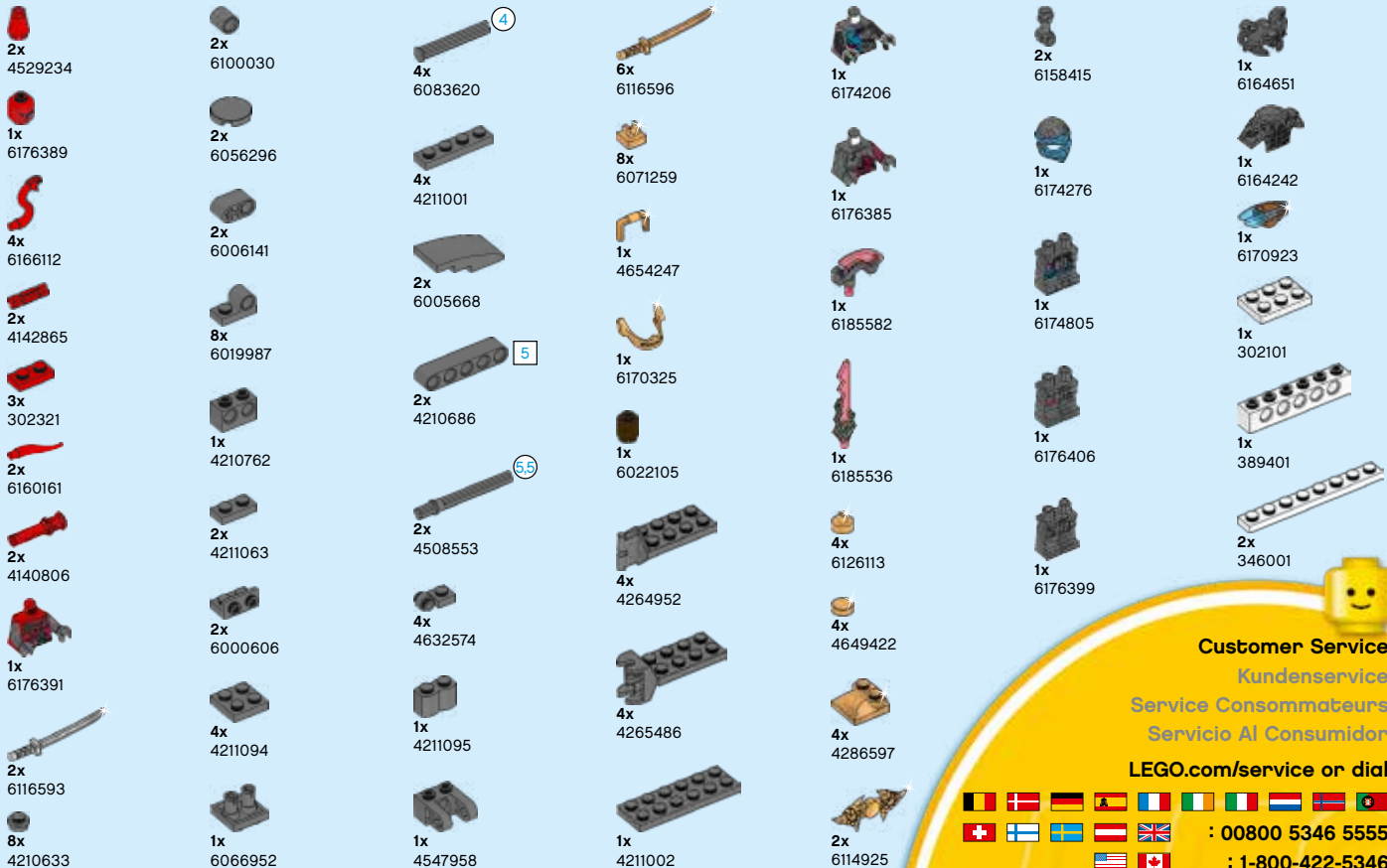

2x
4297210


1x
4211466


2x
4243797


2x
4211795


2x
4634091



Customer Service

Kundenservice

Service Consommateurs

Servicio Al Consumidor

LEGO.com/service or dial



: 00800 5346 5555

: 1-800-422-5346

WIN

GO TO WWW.LEGO.COM/PRODUCTFEEDBACK AND
GIVE US YOUR SHORT **FEEDBACK** ABOUT THIS
LEGO® SET FOR A CHANCE TO WIN
A COOL LEGO PRIZE.

Terms & Conditions apply



LEGO.com/productfeedback

GEWINNE



Erzähle uns auf
www.LEGO.com/productfeedback

etwas über die Erfahrungen, die du mit
diesem LEGO® Set gemacht hast, und
sichere dir die Chance auf einen coolen
LEGO Preis!

Es gelten die Teilnahmebedingungen

GAGNE



Rends-toi sur
www.LEGO.com/productfeedback

et donne-nous quelques commentaires sur
ce produit LEGO® pour avoir une chance
de gagner un prix LEGO !

Voir Conditions Générales

GANAN



Visita
www.LEGO.com/productfeedback

y envíanos tu opinión acerca de este set
LEGO®. ¡Participarás en el sorteo de un
premio LEGO!

Términos y Condiciones aplicables

获取奖品



登录
www.LEGO.com/productfeedback

给出关于此乐高®套装的简短反馈，
就有机会获得炫酷乐高奖品

《条款及条件》适用

LEGO, the LEGO logo, NINJAGO and the NINJAGO logo are trademarks of the/sont des marques de commerce du/son marcas registradas de LEGO Group. ©2017 The LEGO Group.