

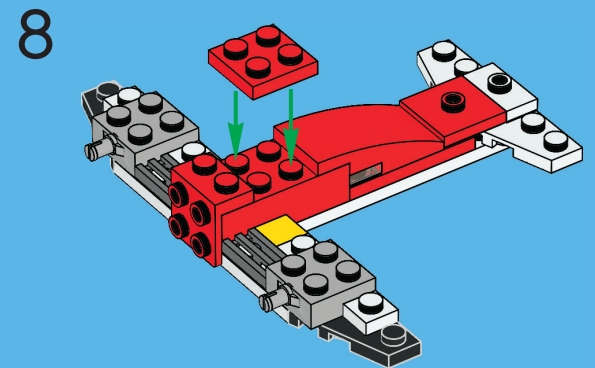
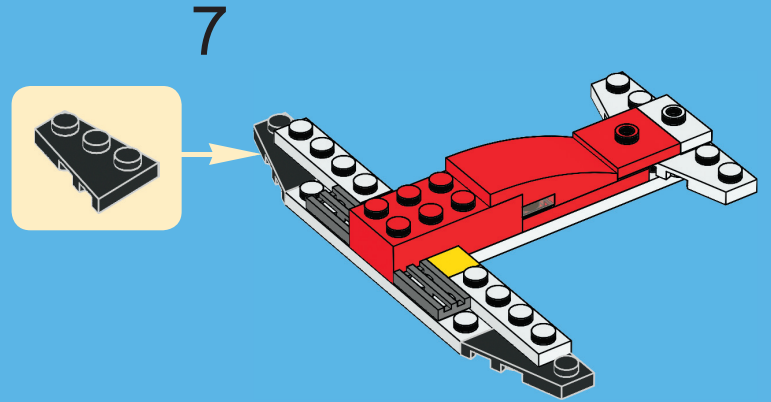
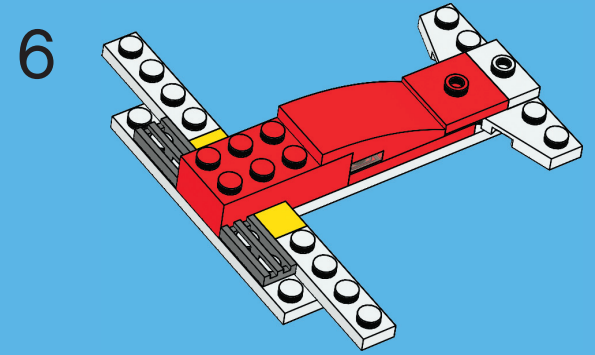
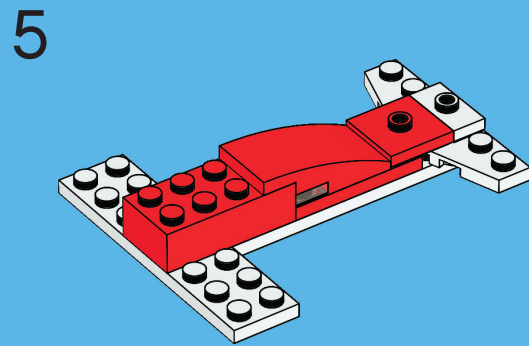
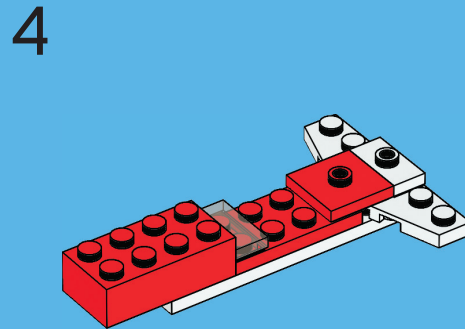
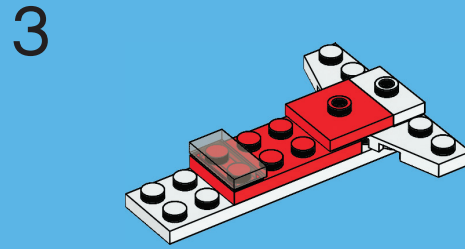
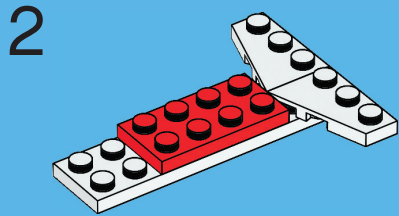
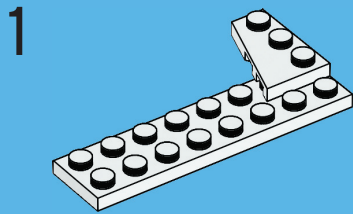


CREATOR

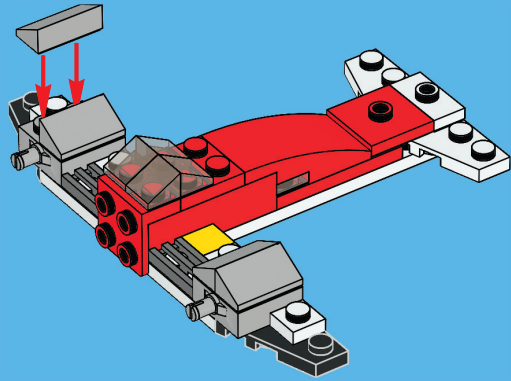


30180

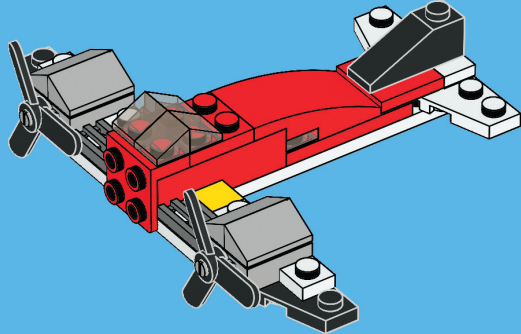
6005991



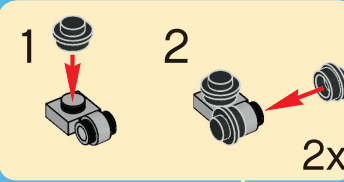
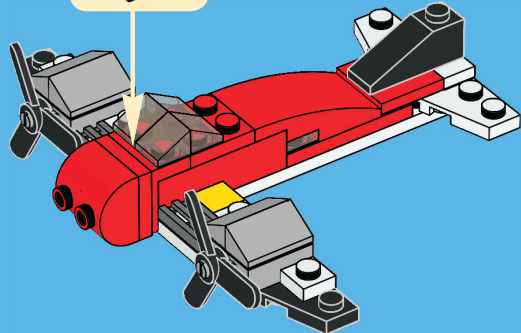
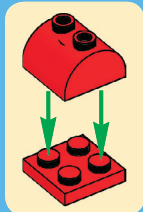
9



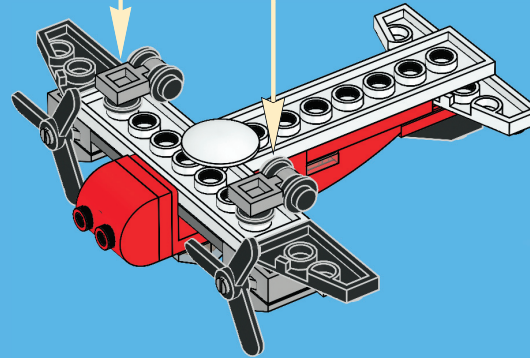
10



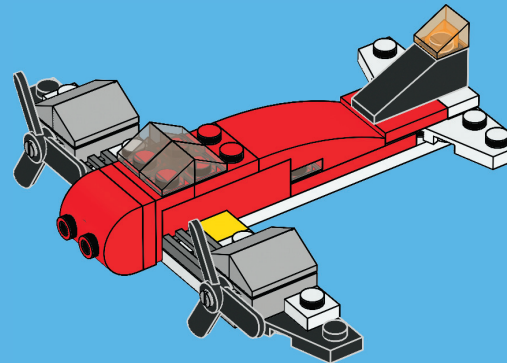
11



12



13



6913



7292



7291



LEGO and the LEGO logo are trademarks of the LEGO Group. ©2012 The LEGO Group.

6005991

