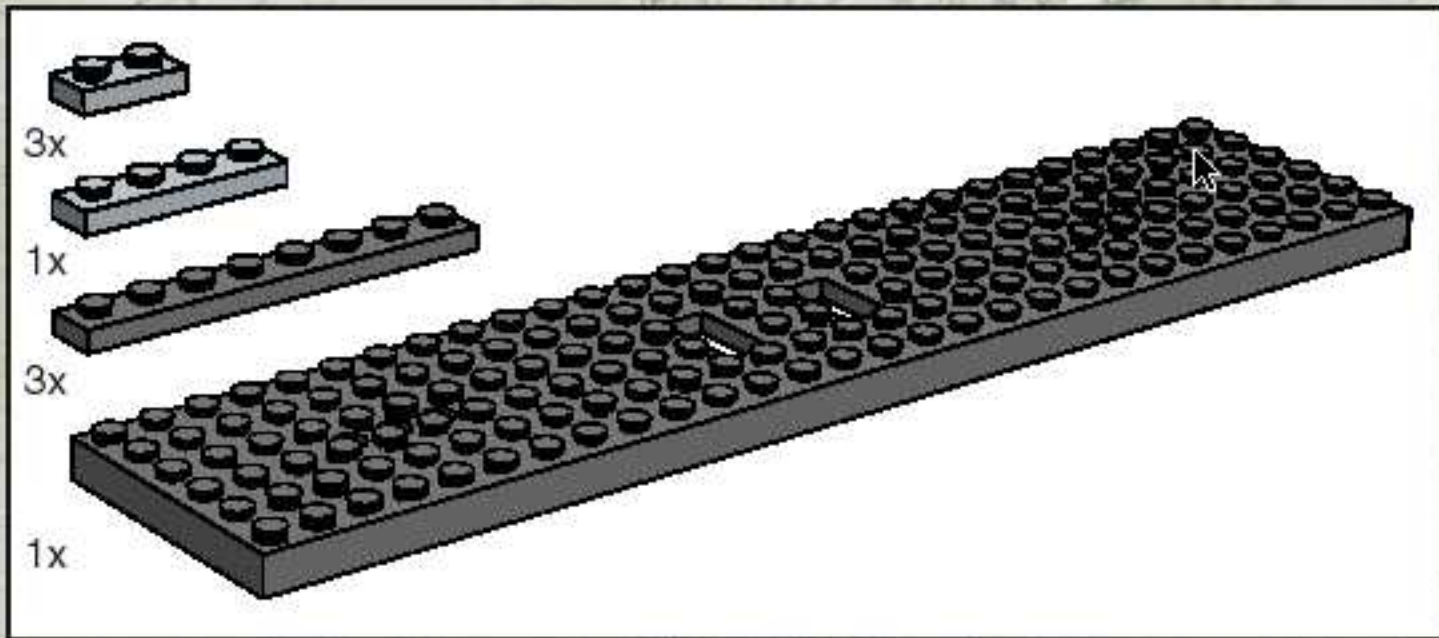
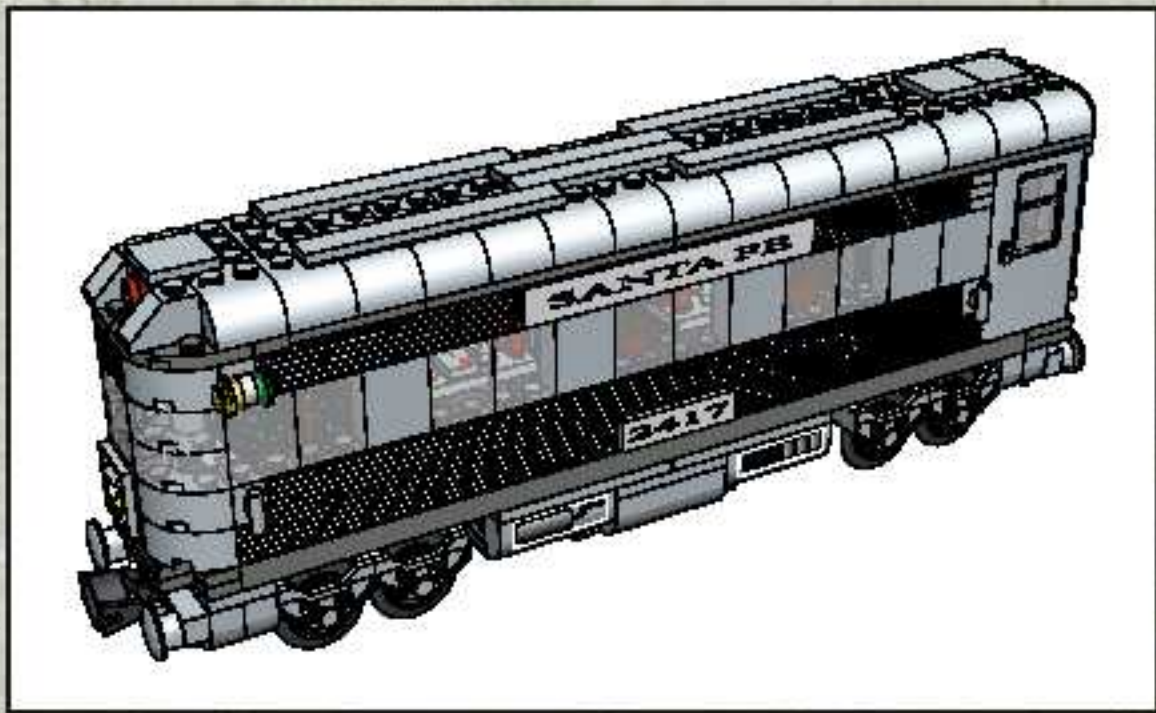




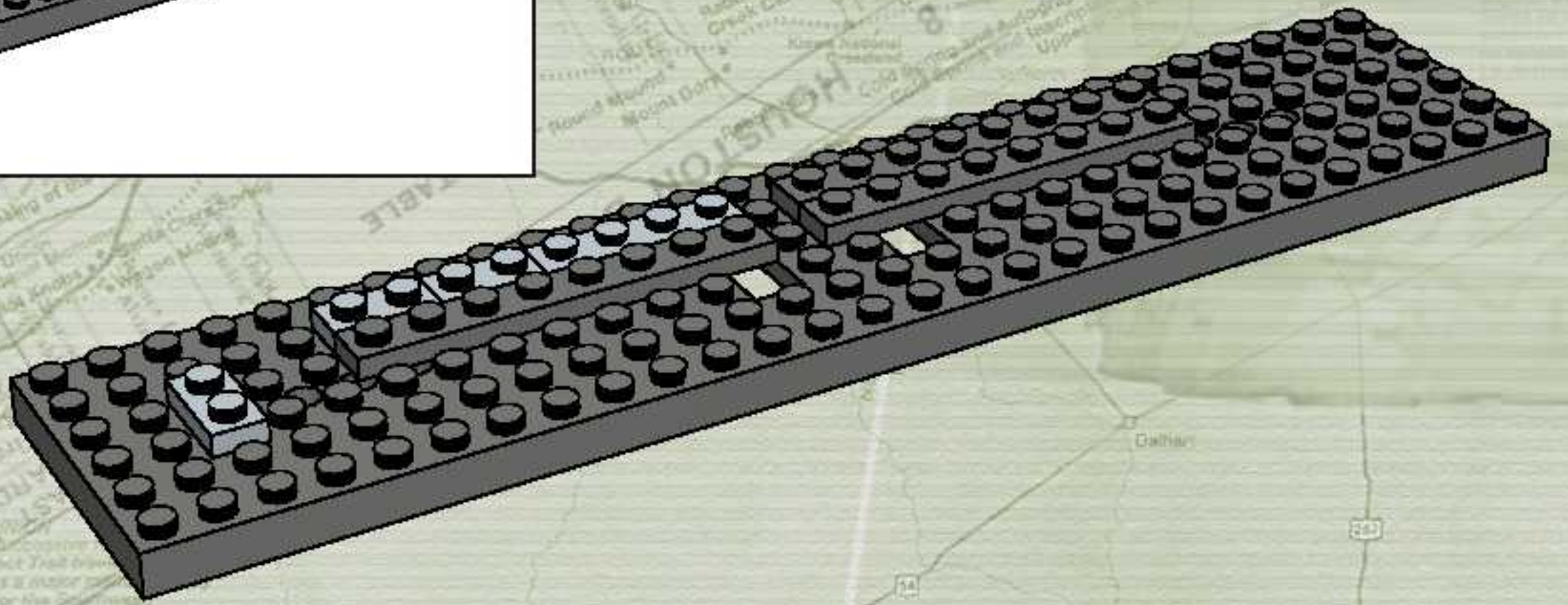
10022-2



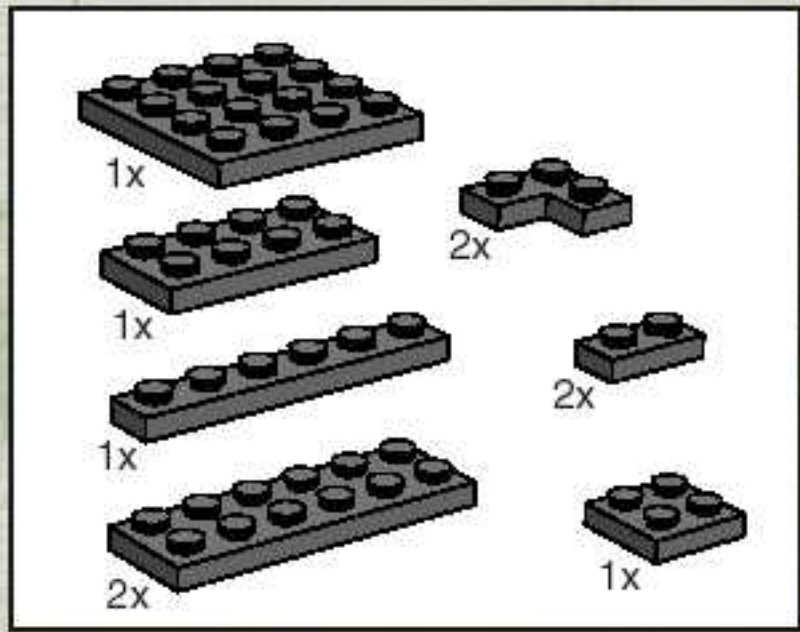
4194363



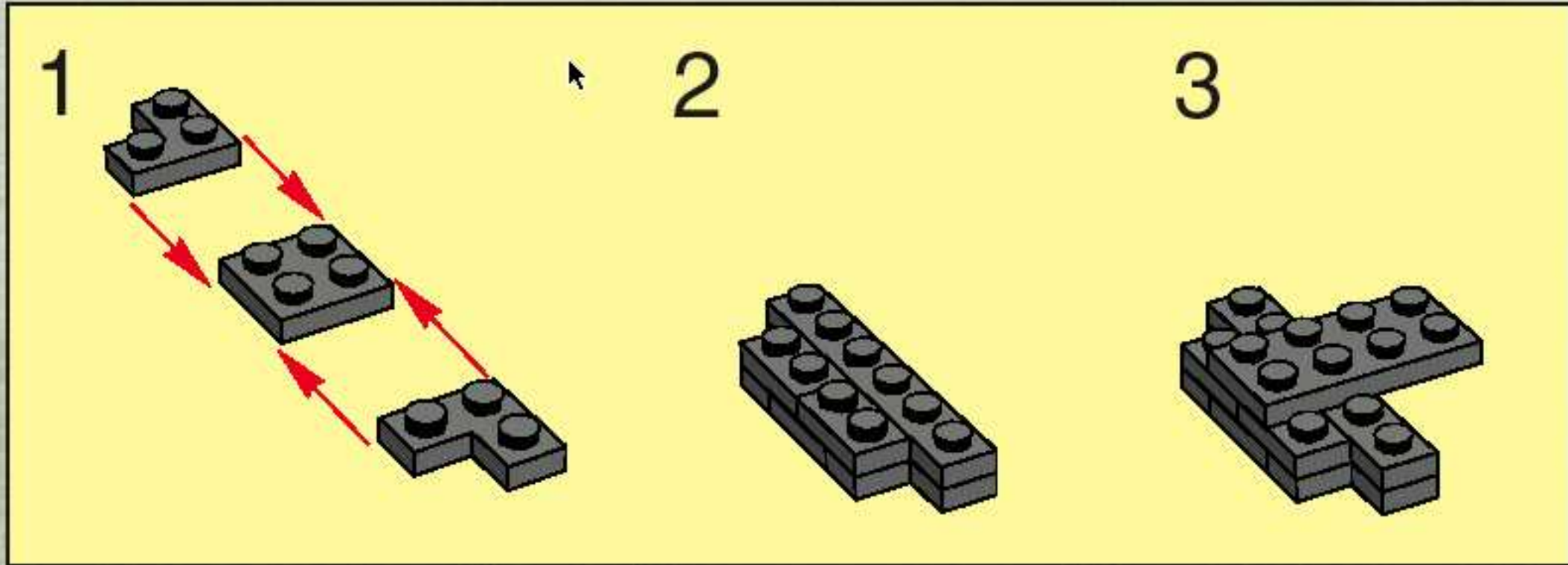
1

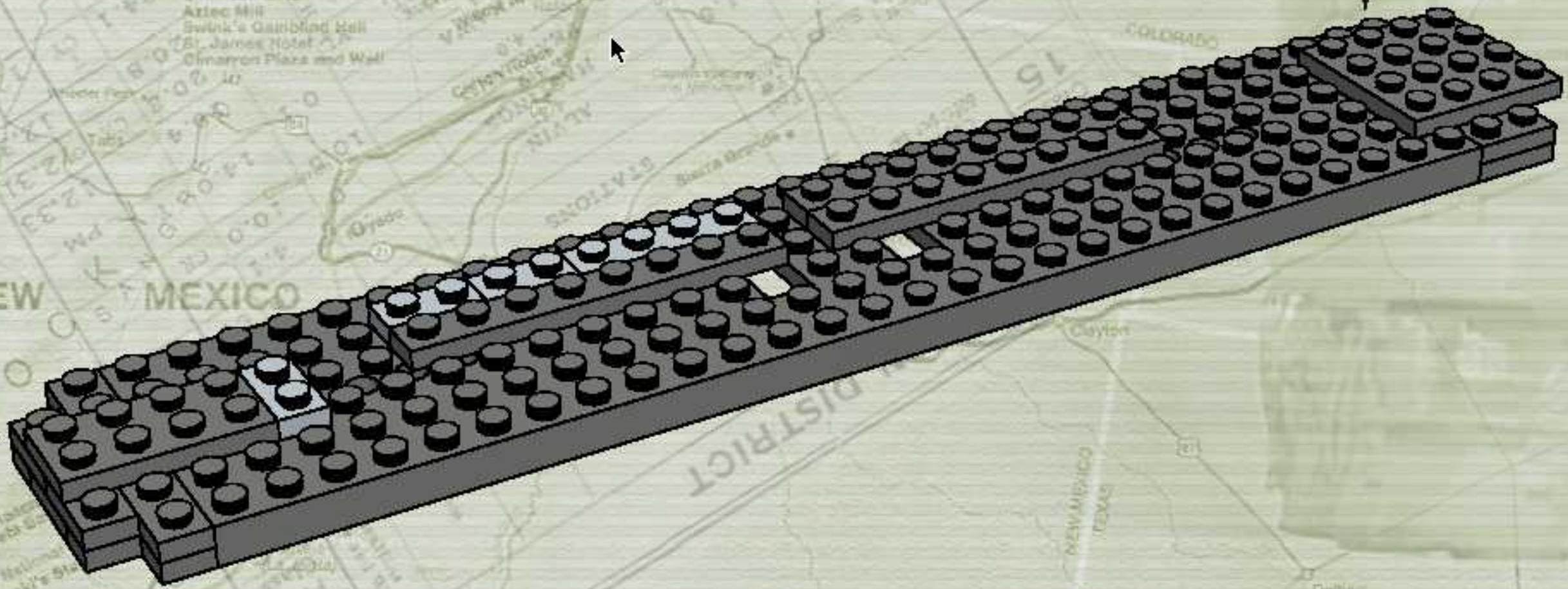
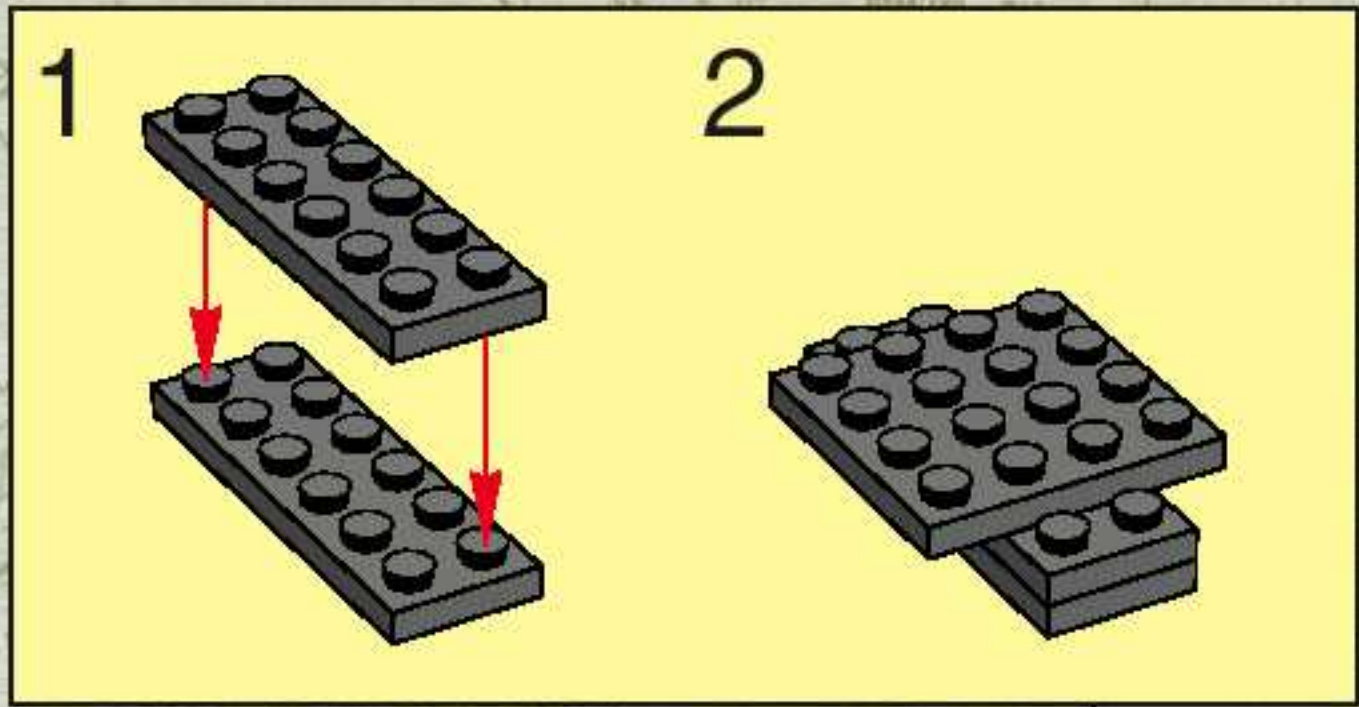


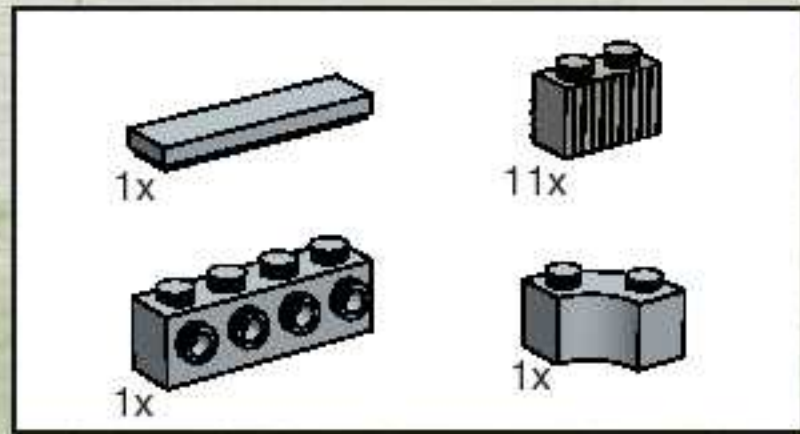
2



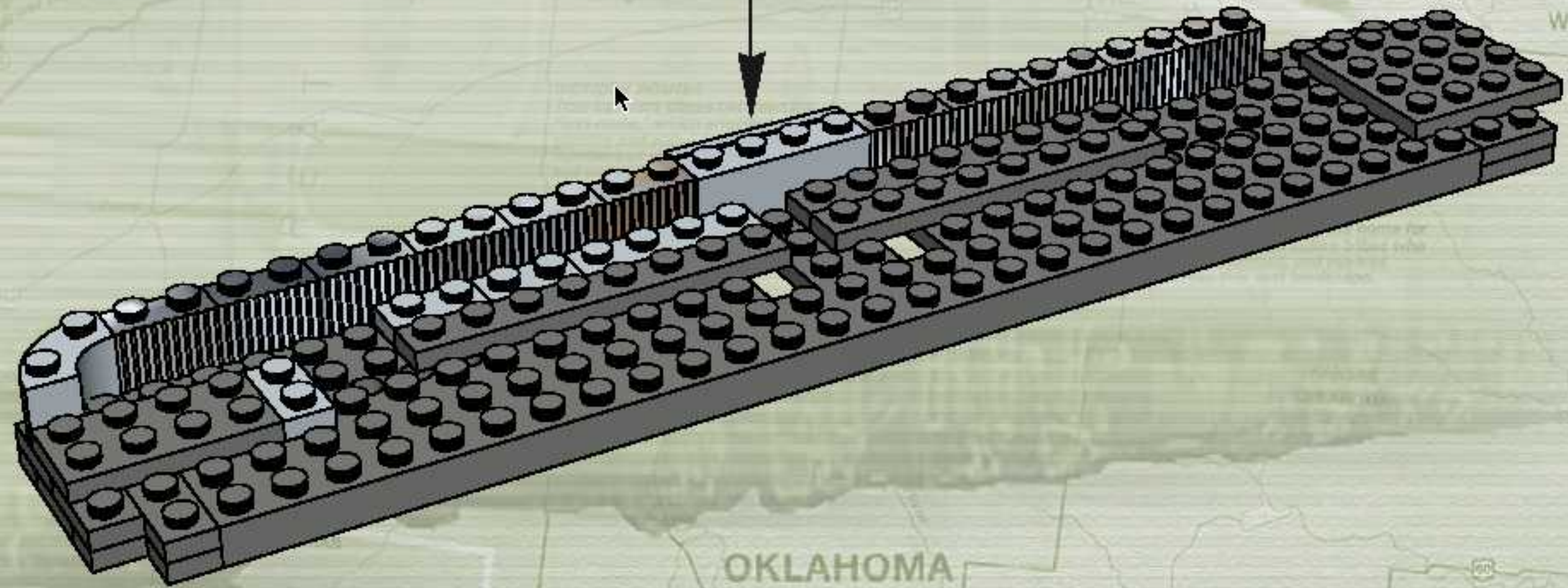
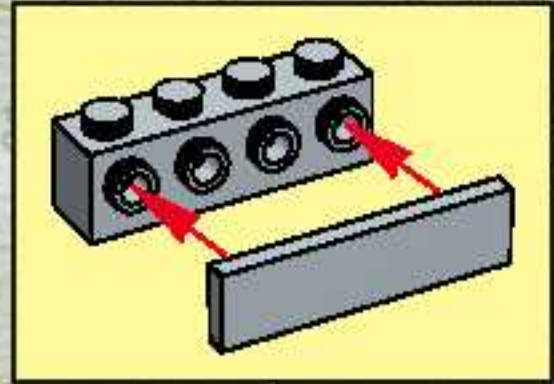
2

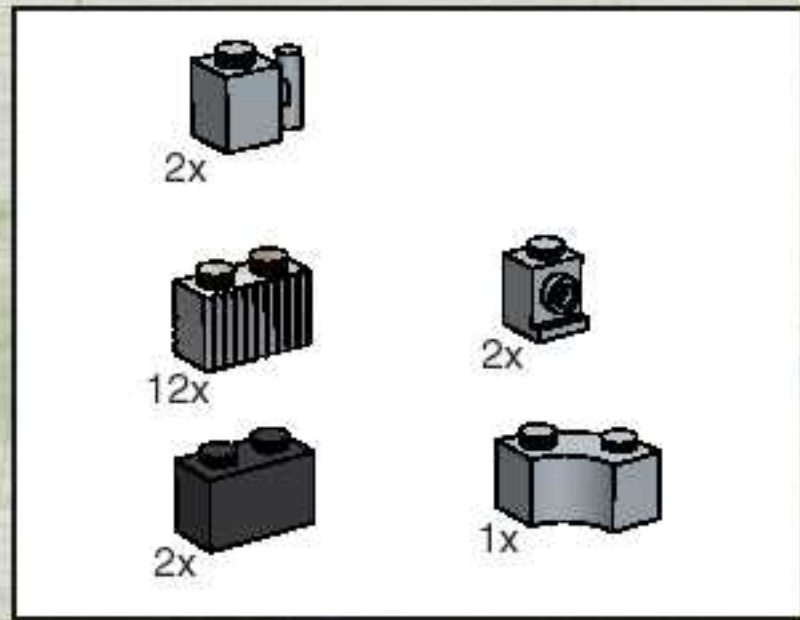




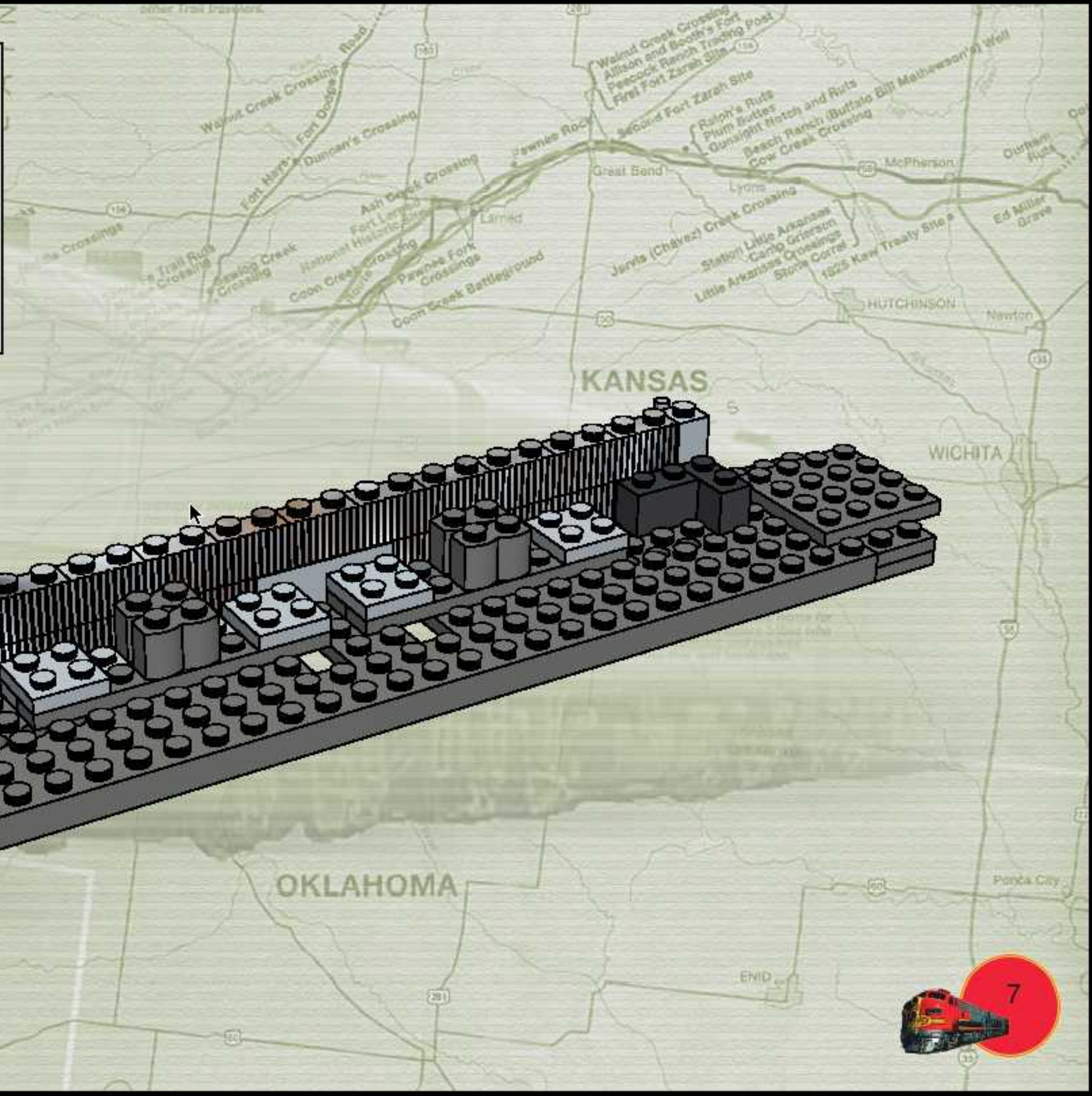
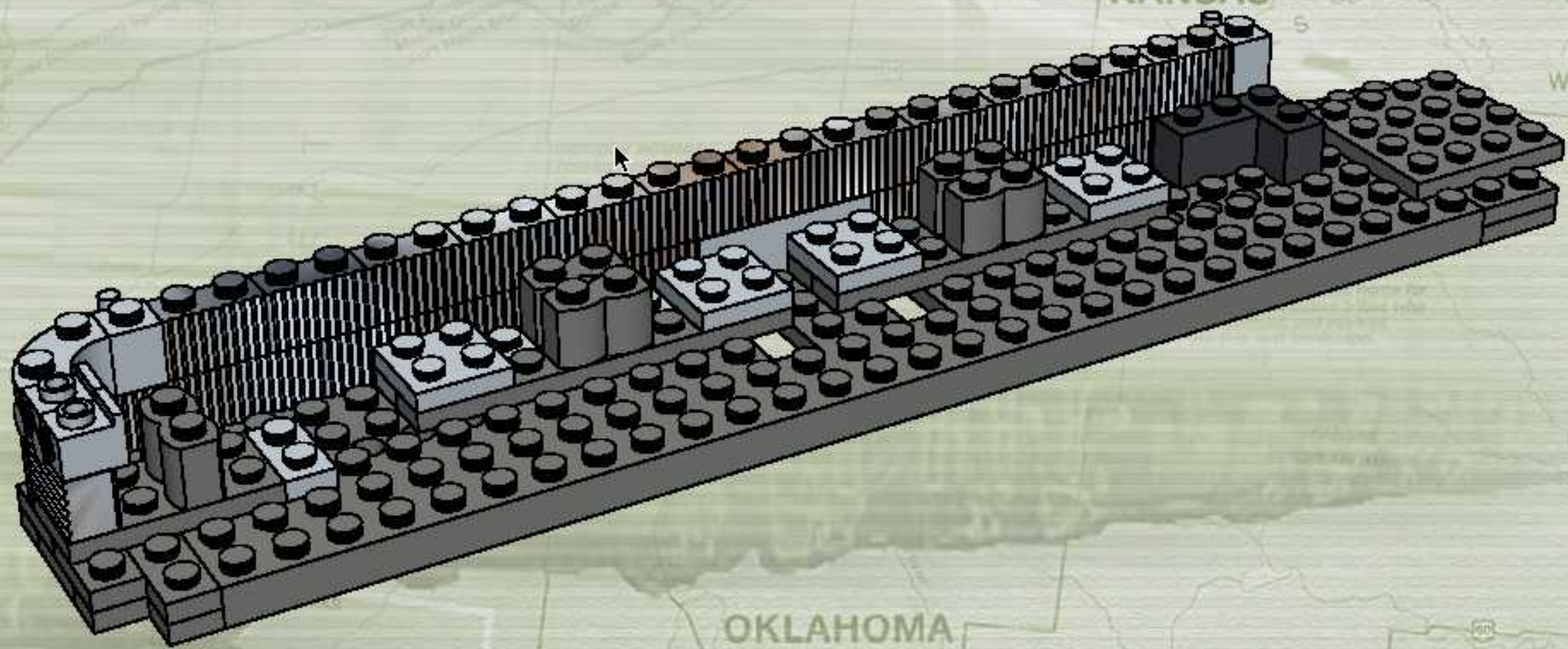


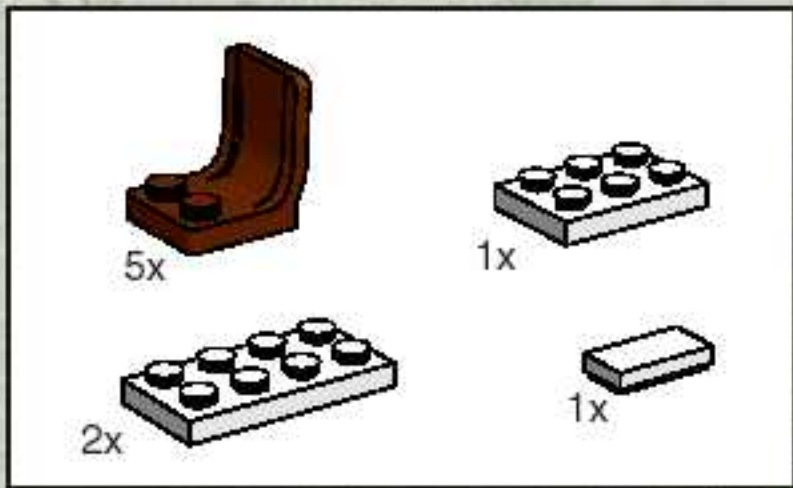
3



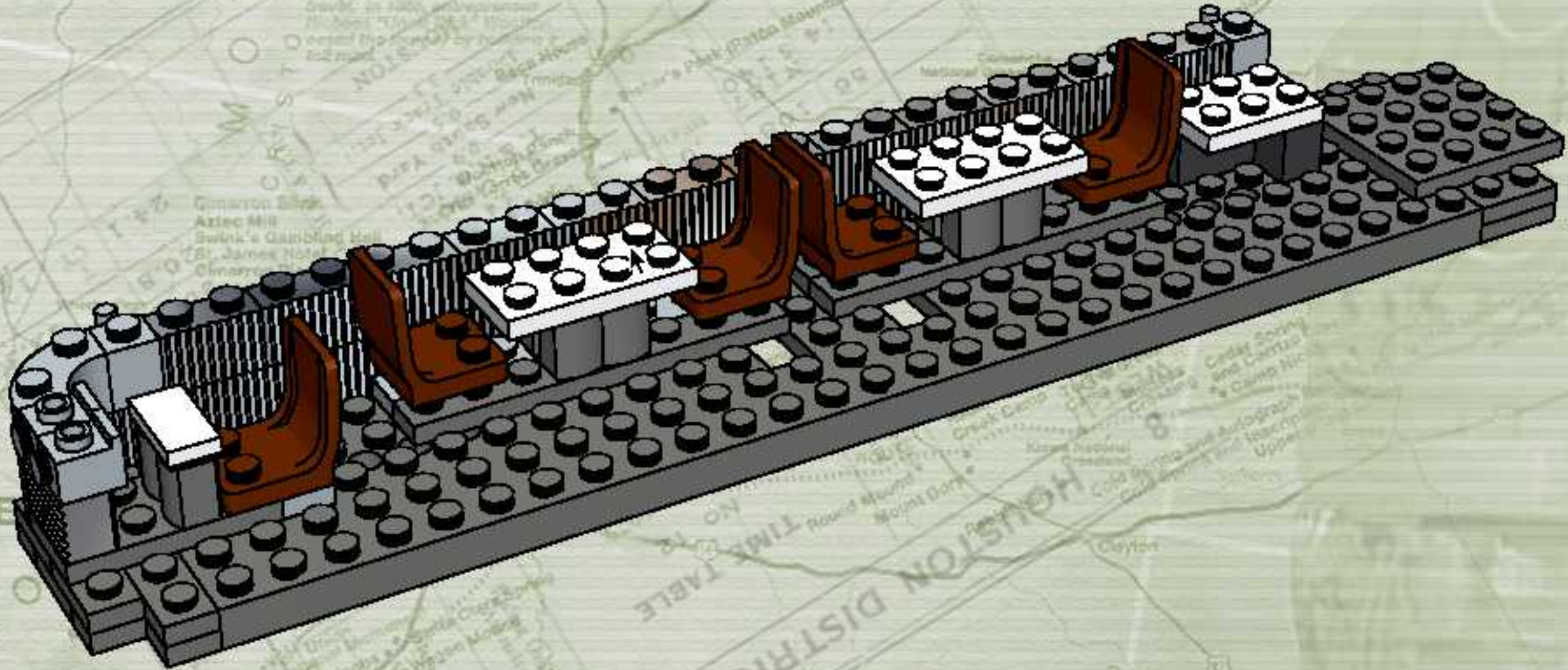


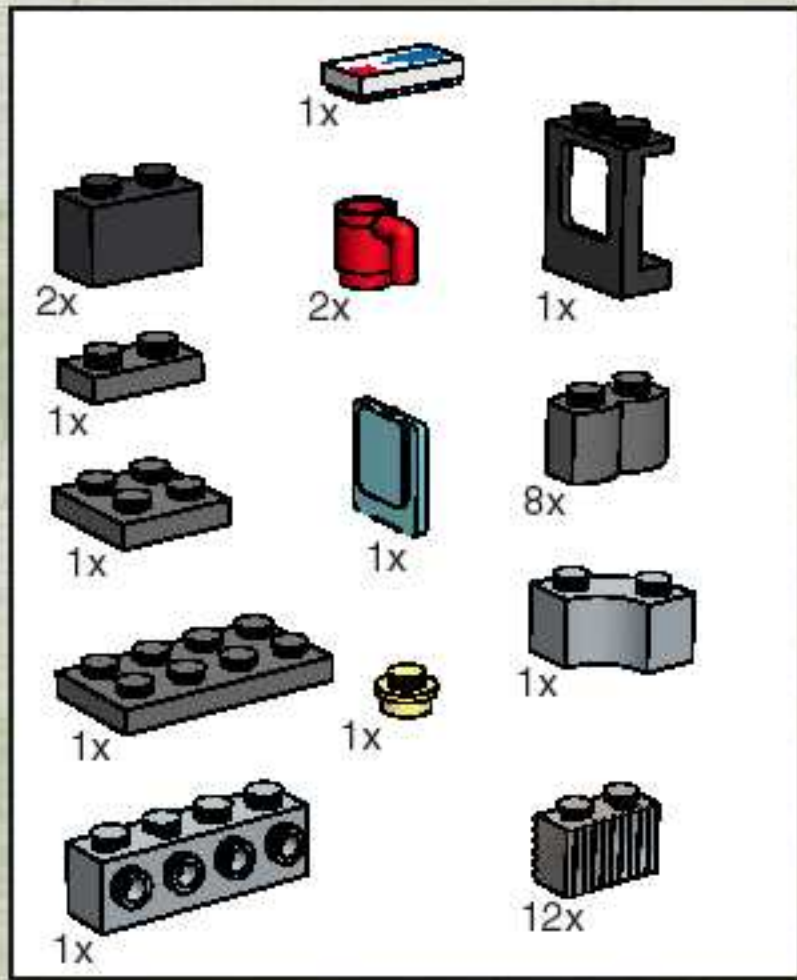
5



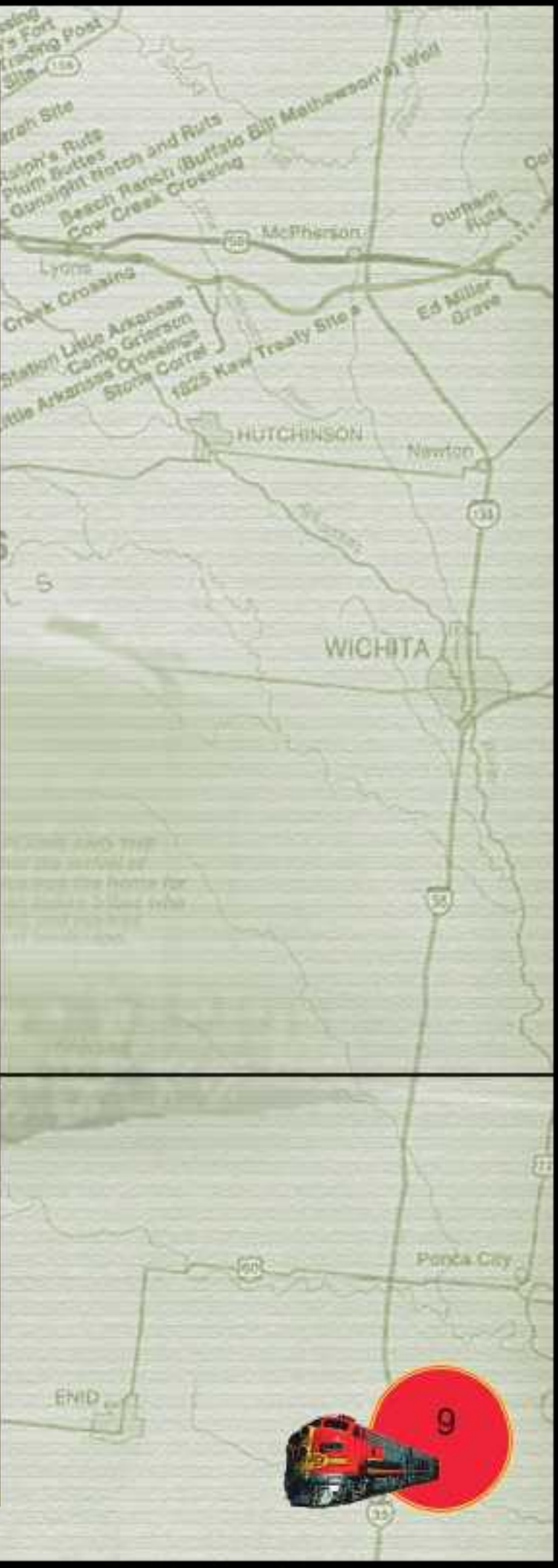
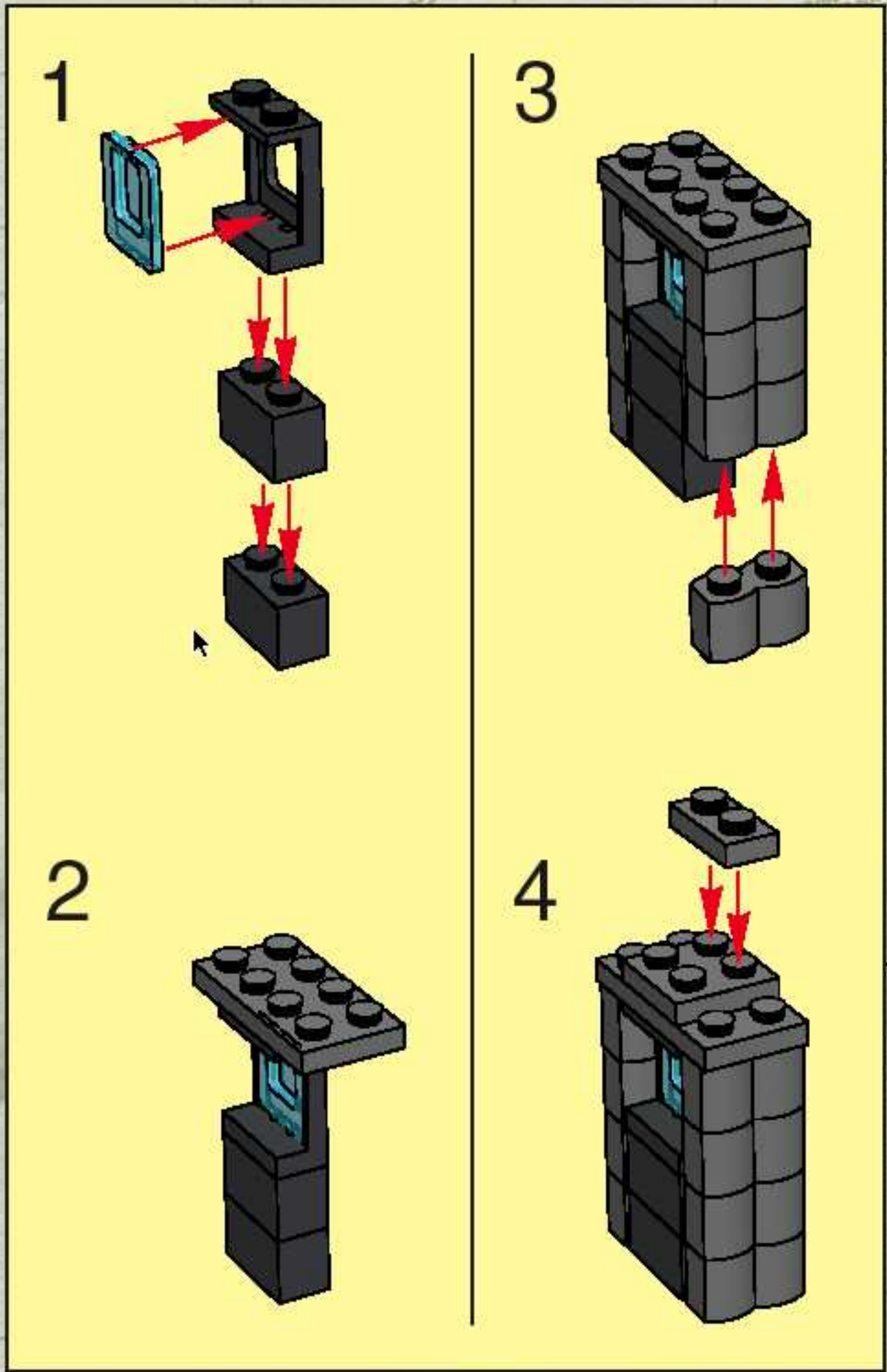


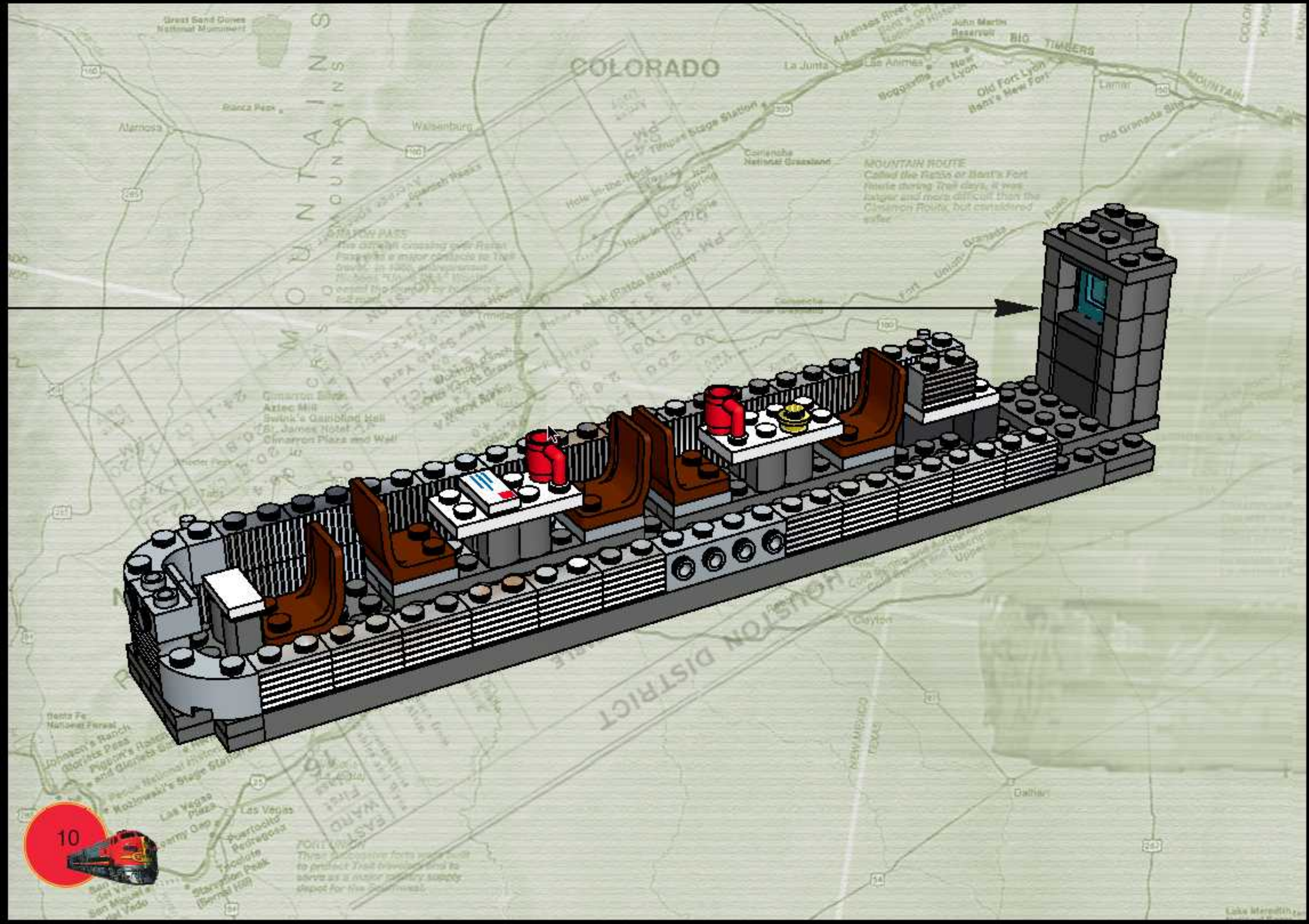
6





7





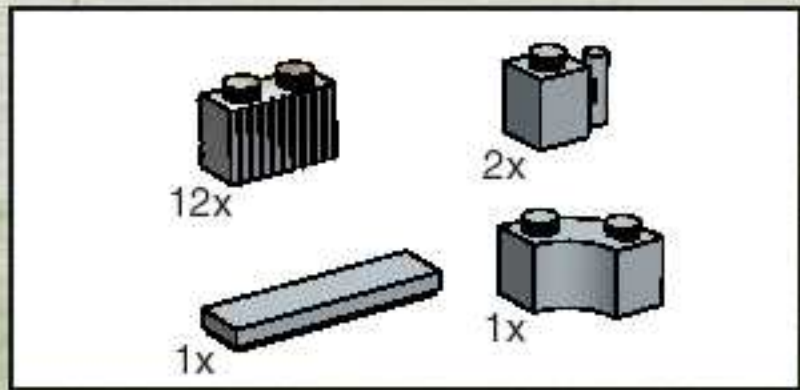
COLORADO

MOUNTAIN ROUTE
Called the *Rebel* or *Beast's Fort* route during Trail days, it was larger and more difficult than the *Cinnamon Route*, but considered safer.

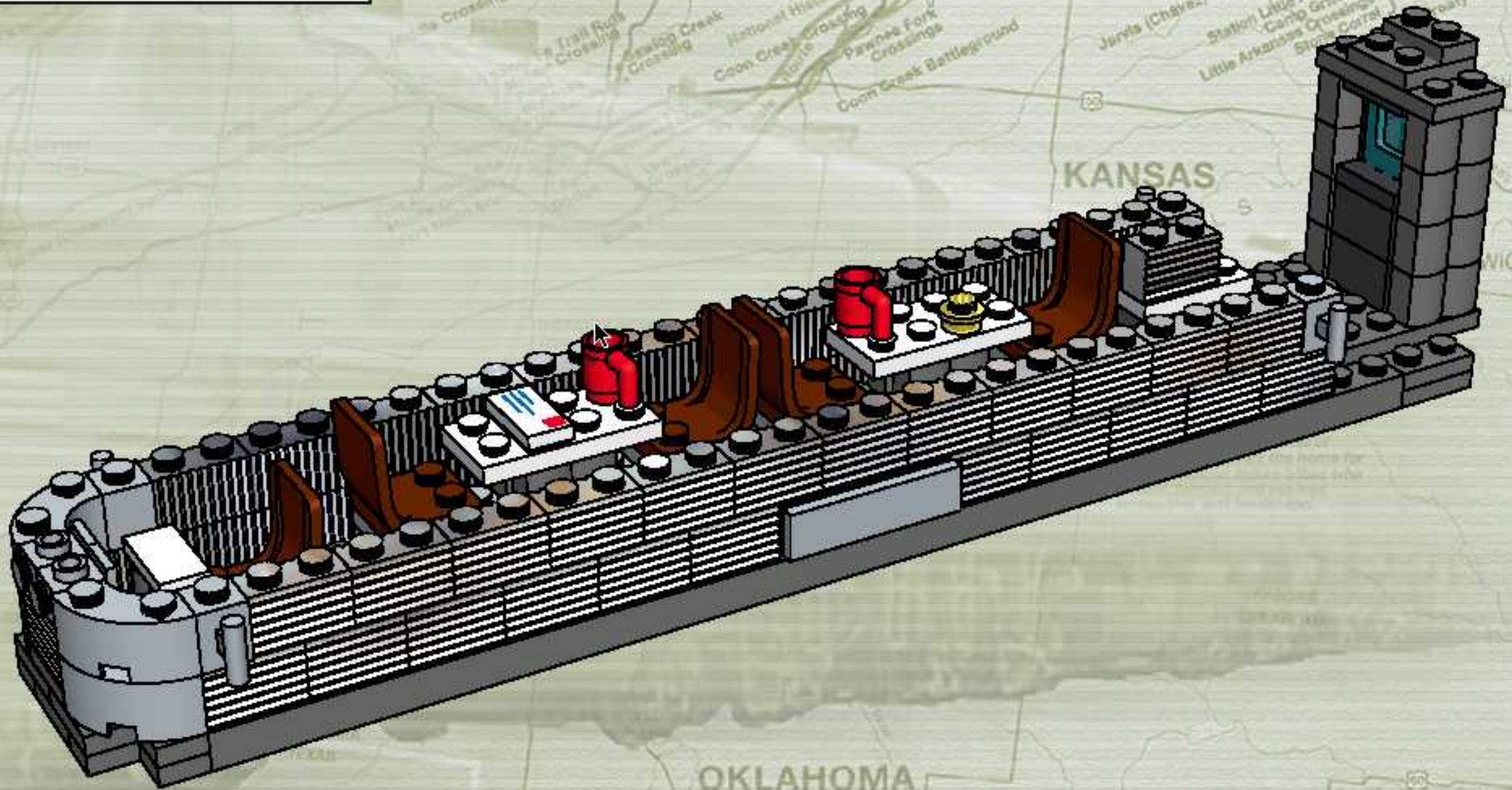
SPANISH PASS
The straight crossing over *Rebel* Pass is a major obstacle on Trail days. In 1860, it was considered the most difficult trail crossing to the west of the Rocky Mountains.

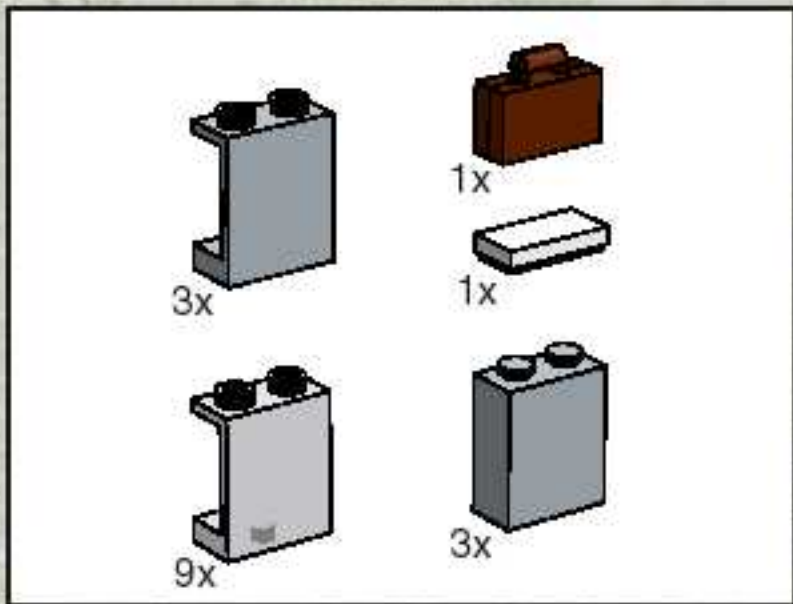


Three defensive forts were built to protect Trail travelers and to serve as a major military supply depot for the Southwest.

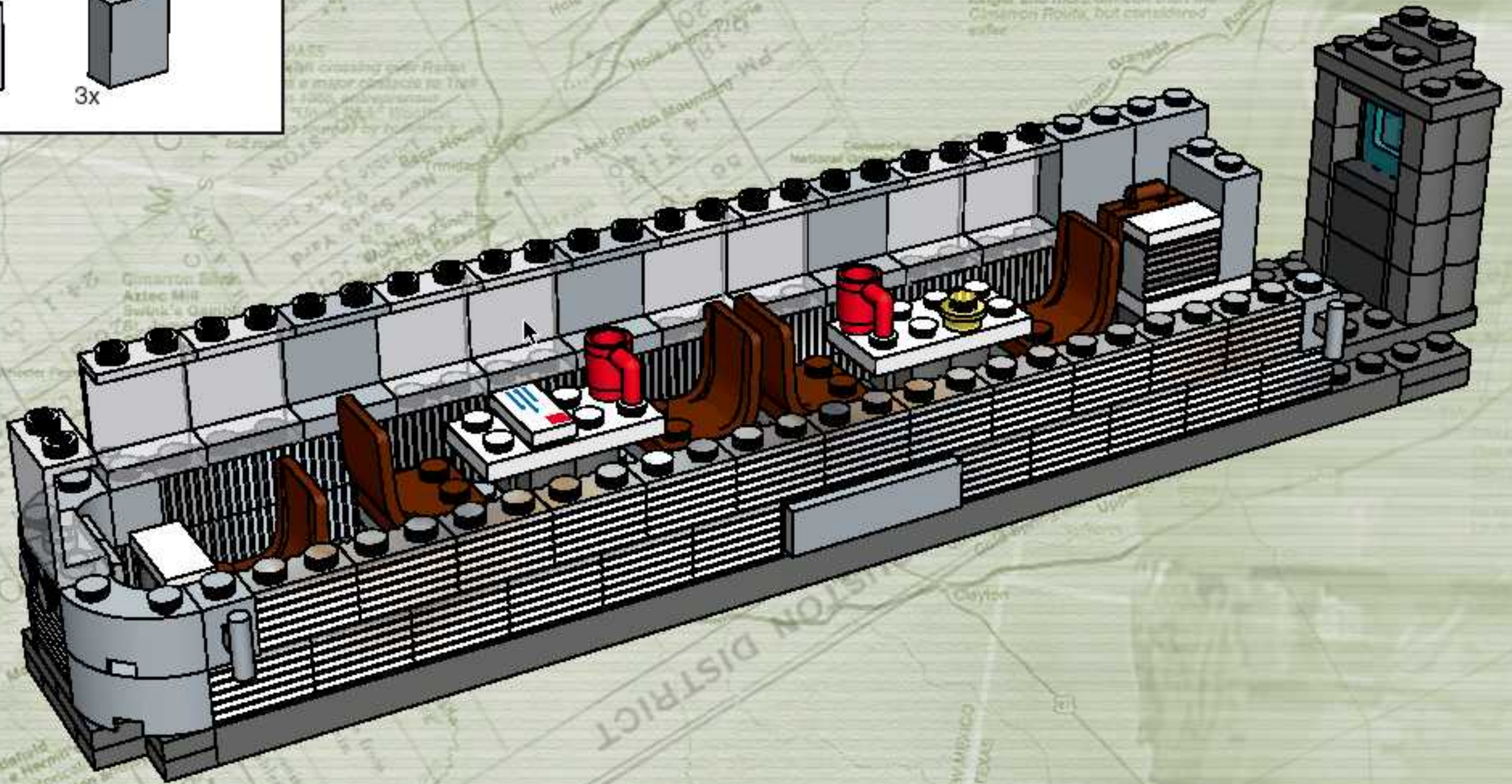


8





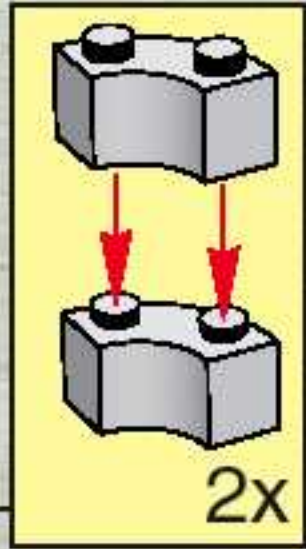
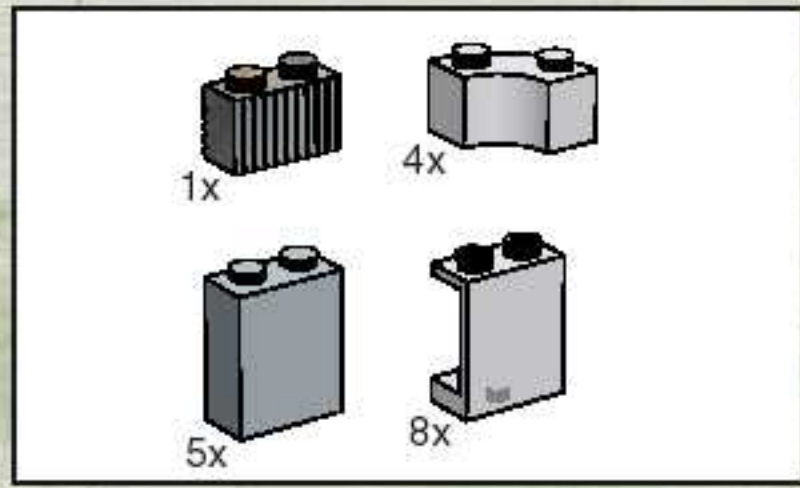
9



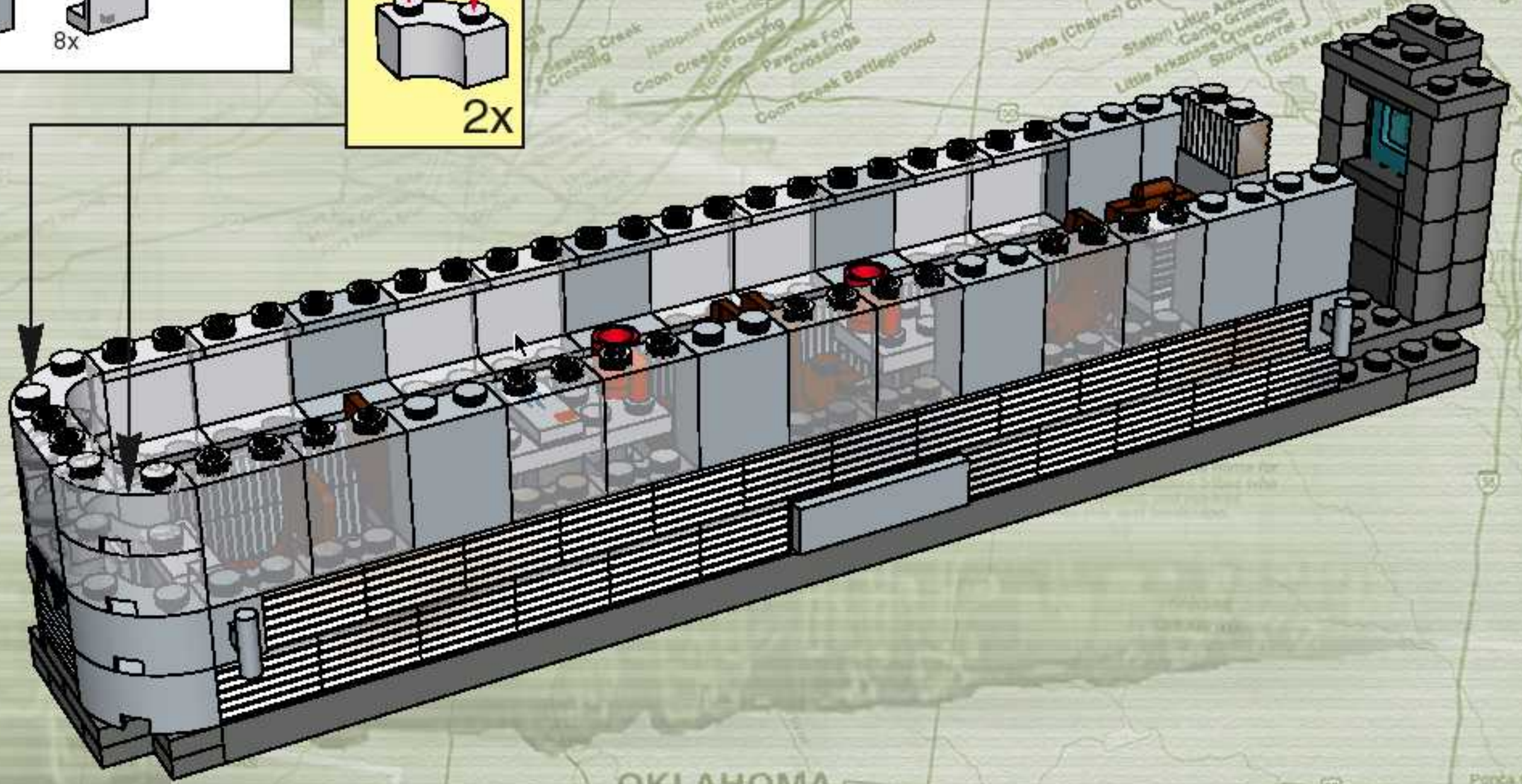
COLORADO

MOUNTAIN ROUTE
Called the *Rojo* or *Beast's Fort* route during trail days, it was longer and more difficult than the *Cinnamon Route*, but considered safer.

EAST WARD
WARD DISTRICT

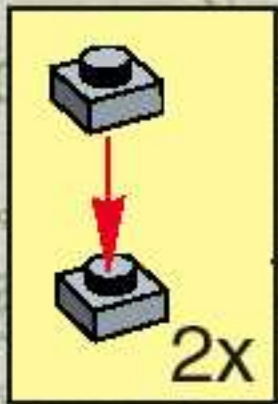
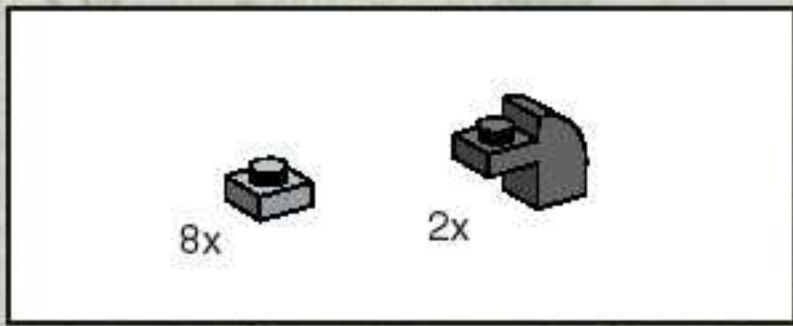


10

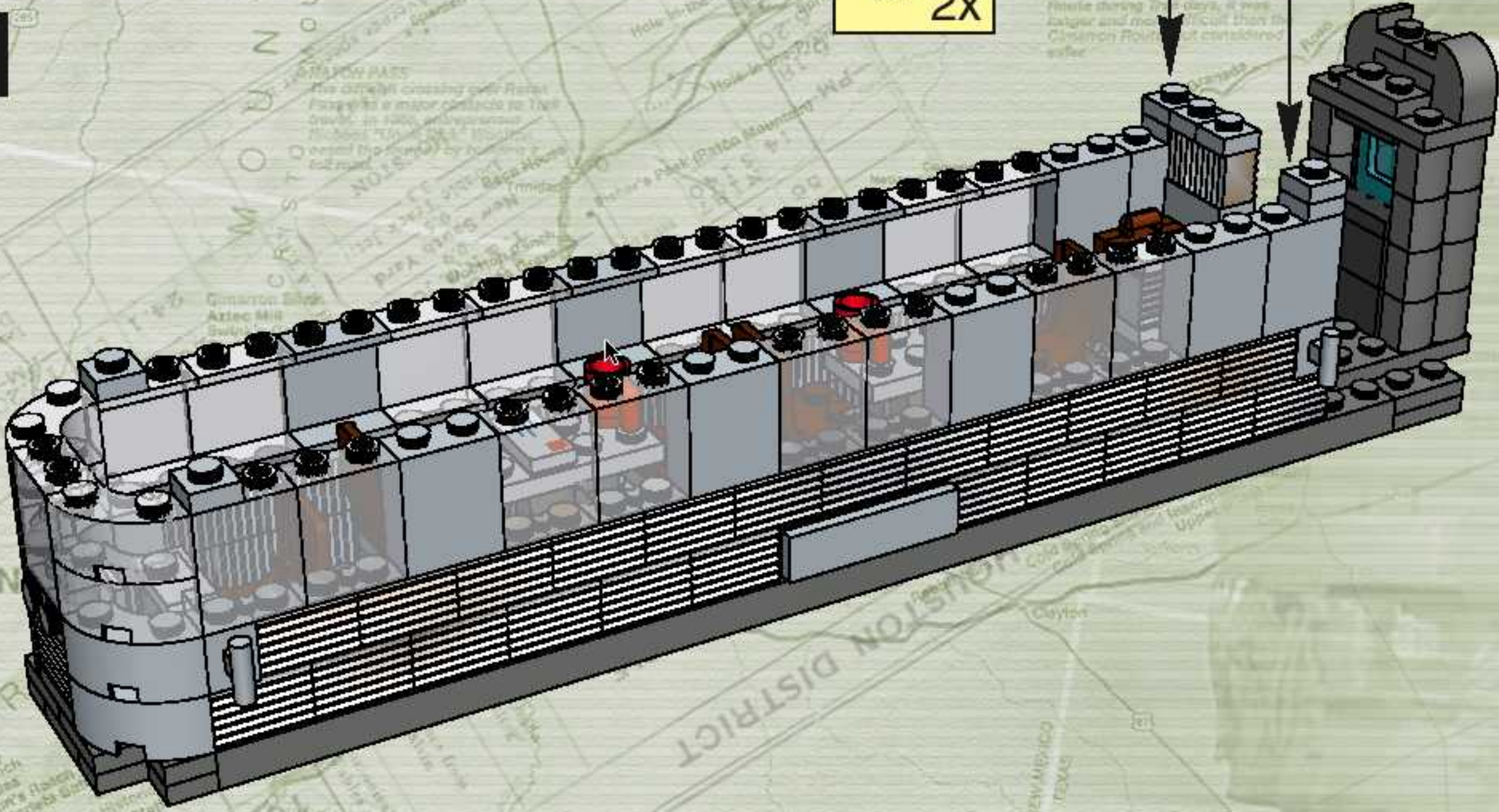


OKLAHOMA



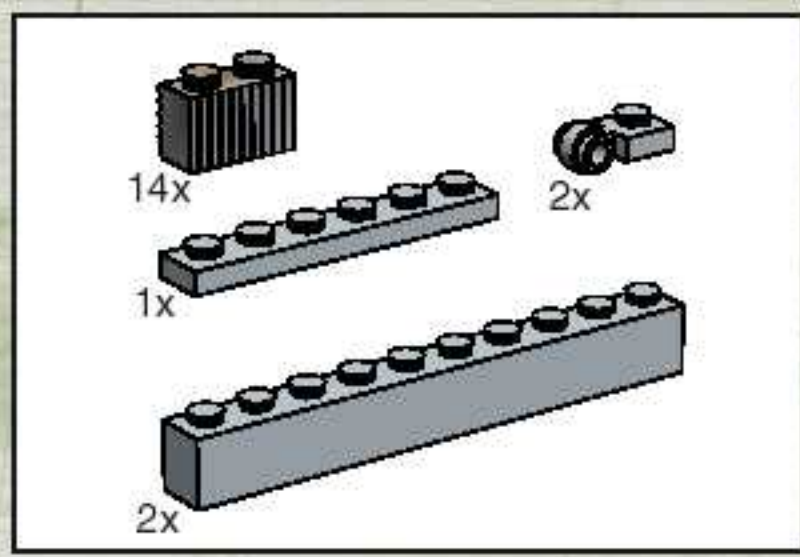


11



MOUNTAIN HOUSE
Called the Fort or Bast's Fort
inside during the 1800s, it was
larger and more difficult than the
Cannon Fort and considered
 safer

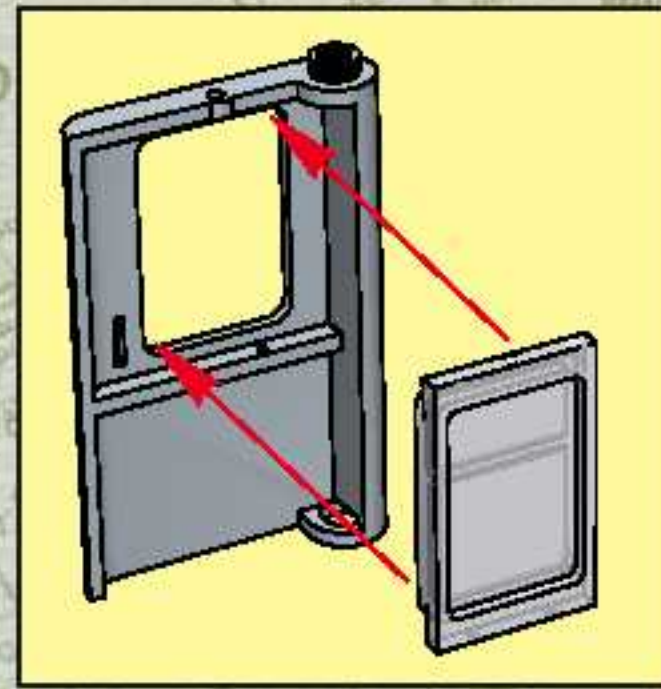
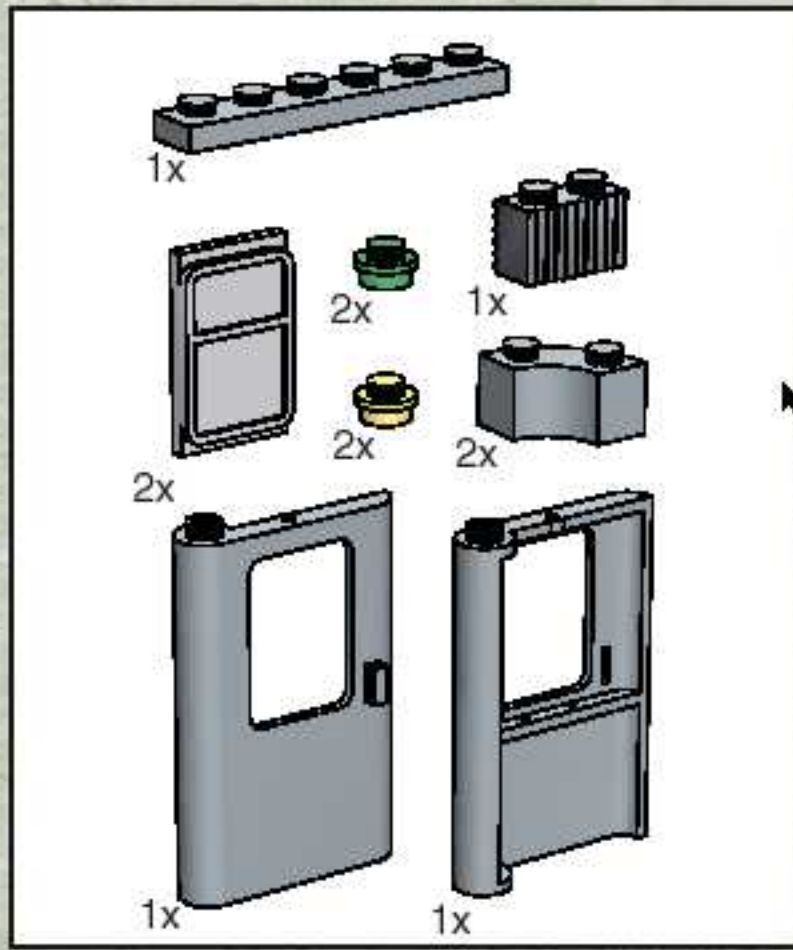




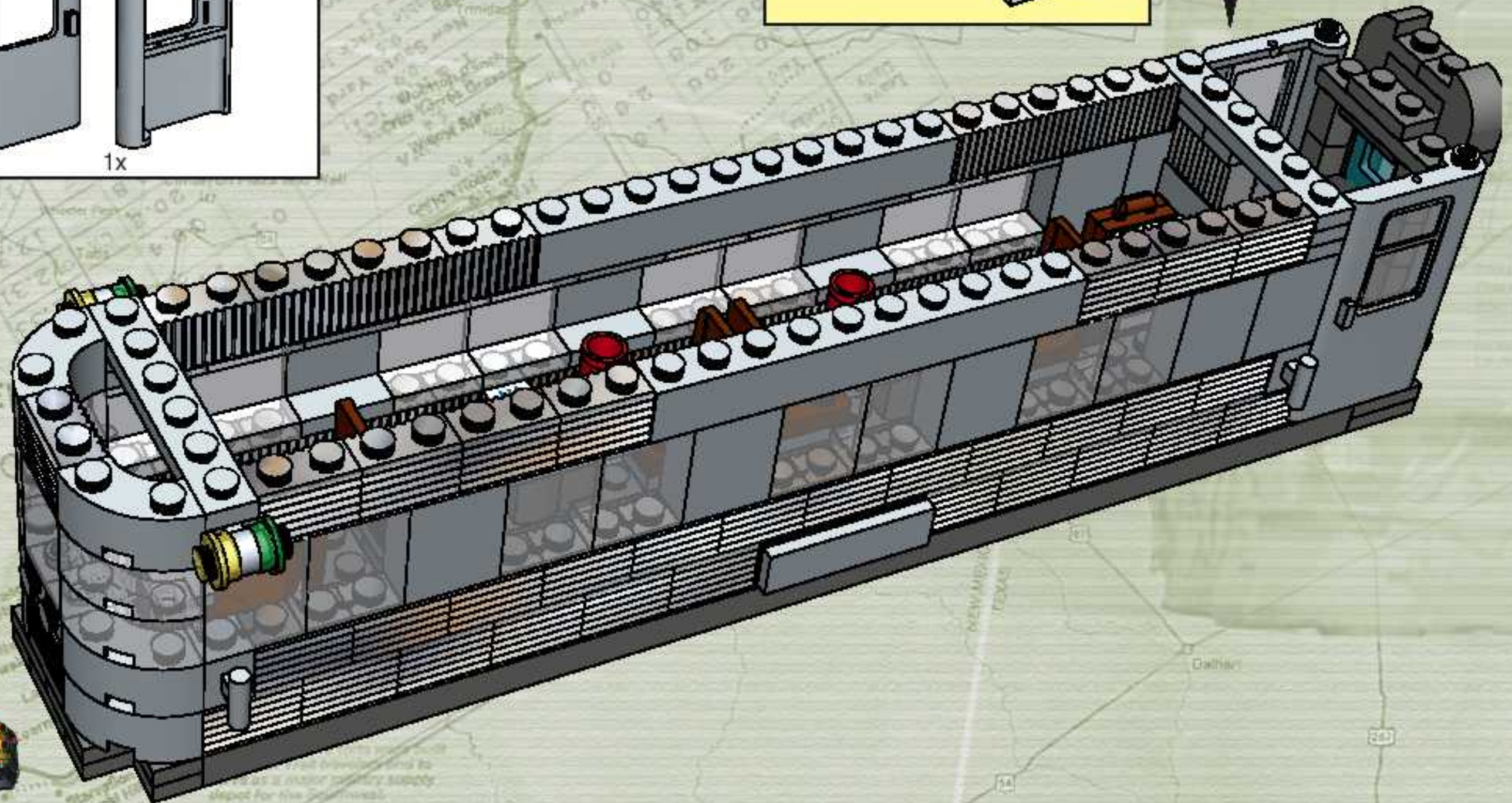
12



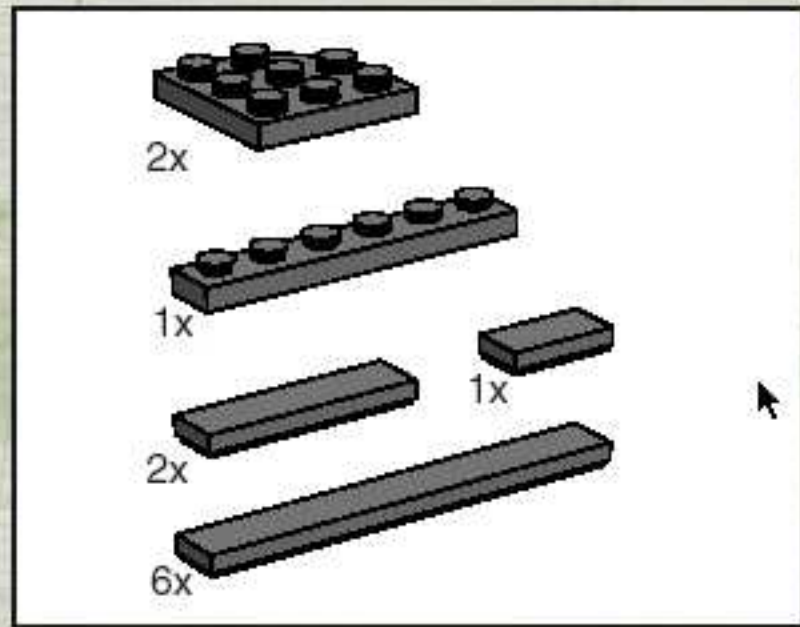
15



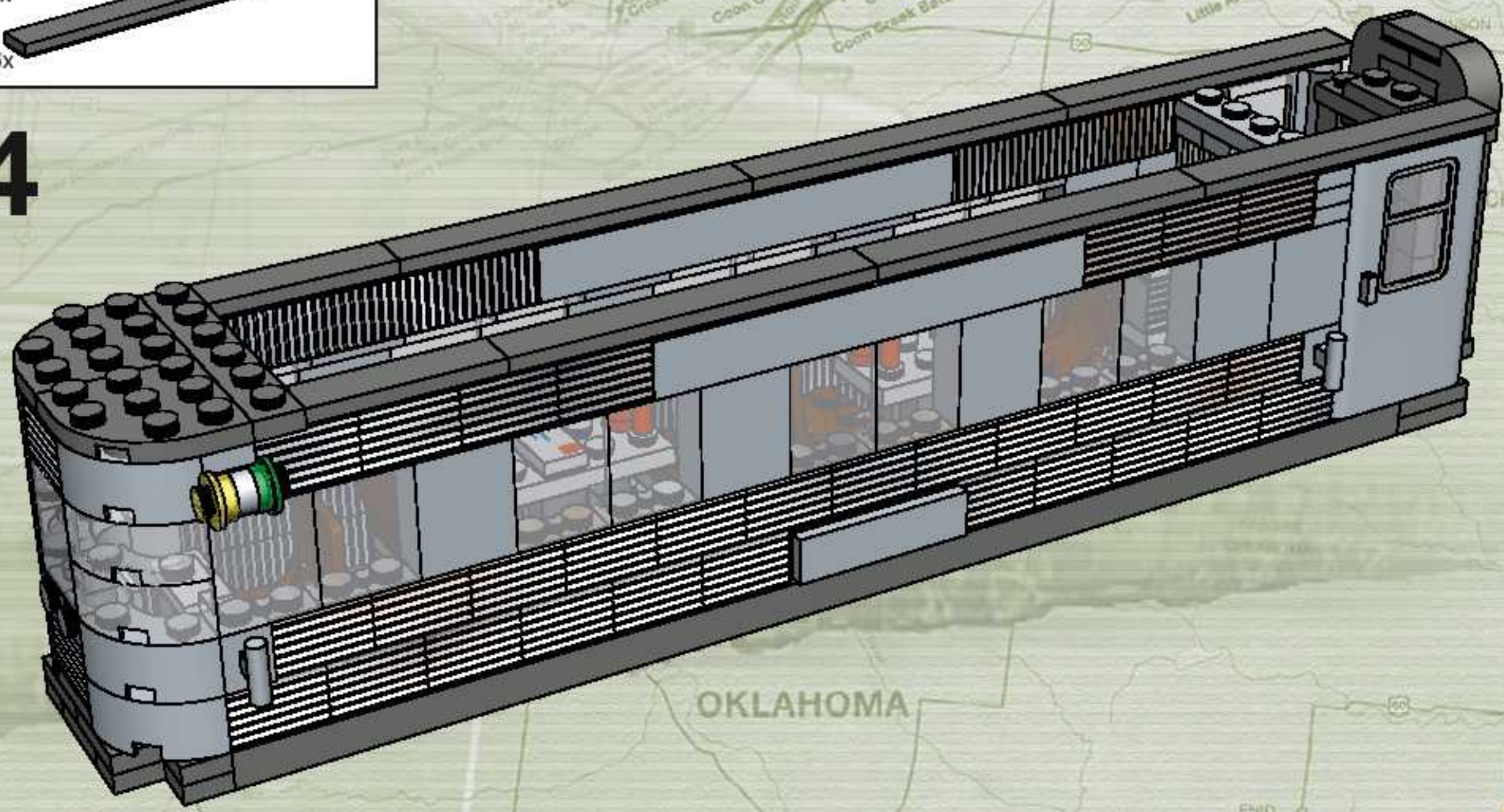
13

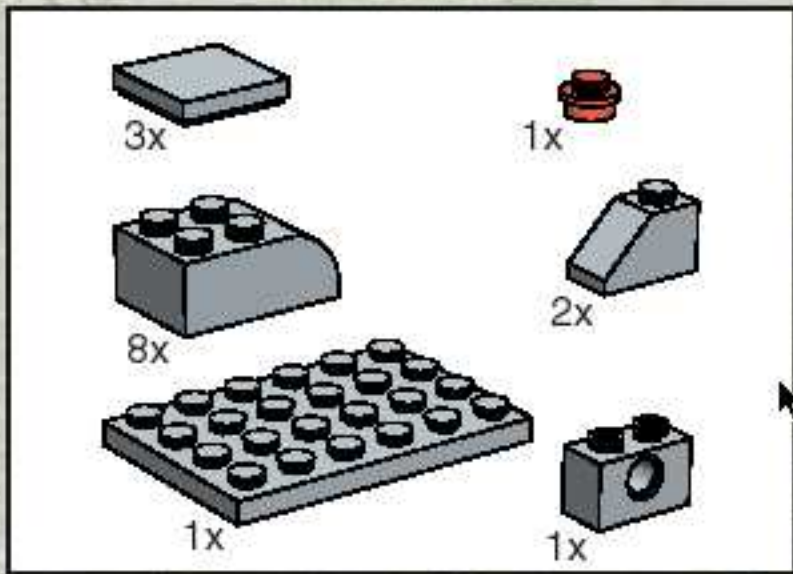


16

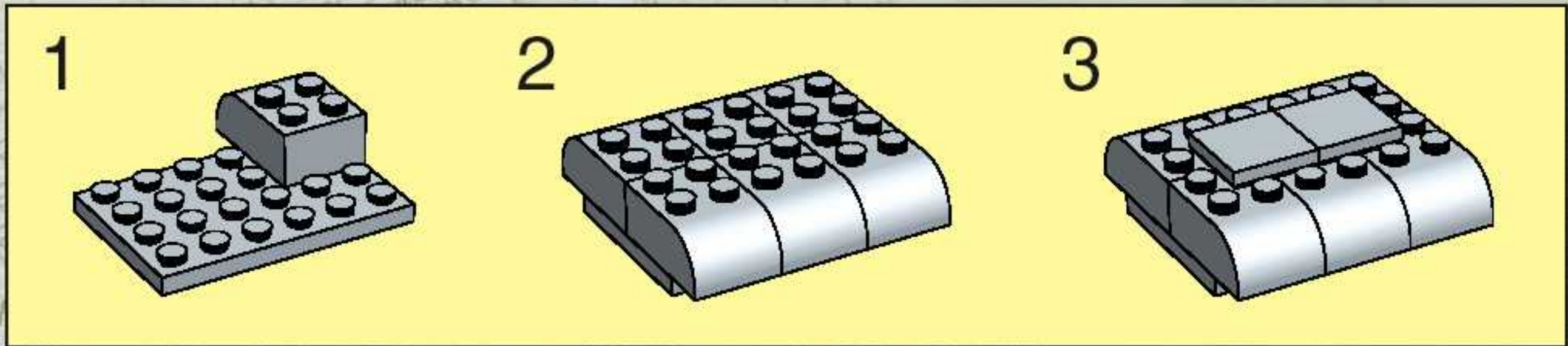


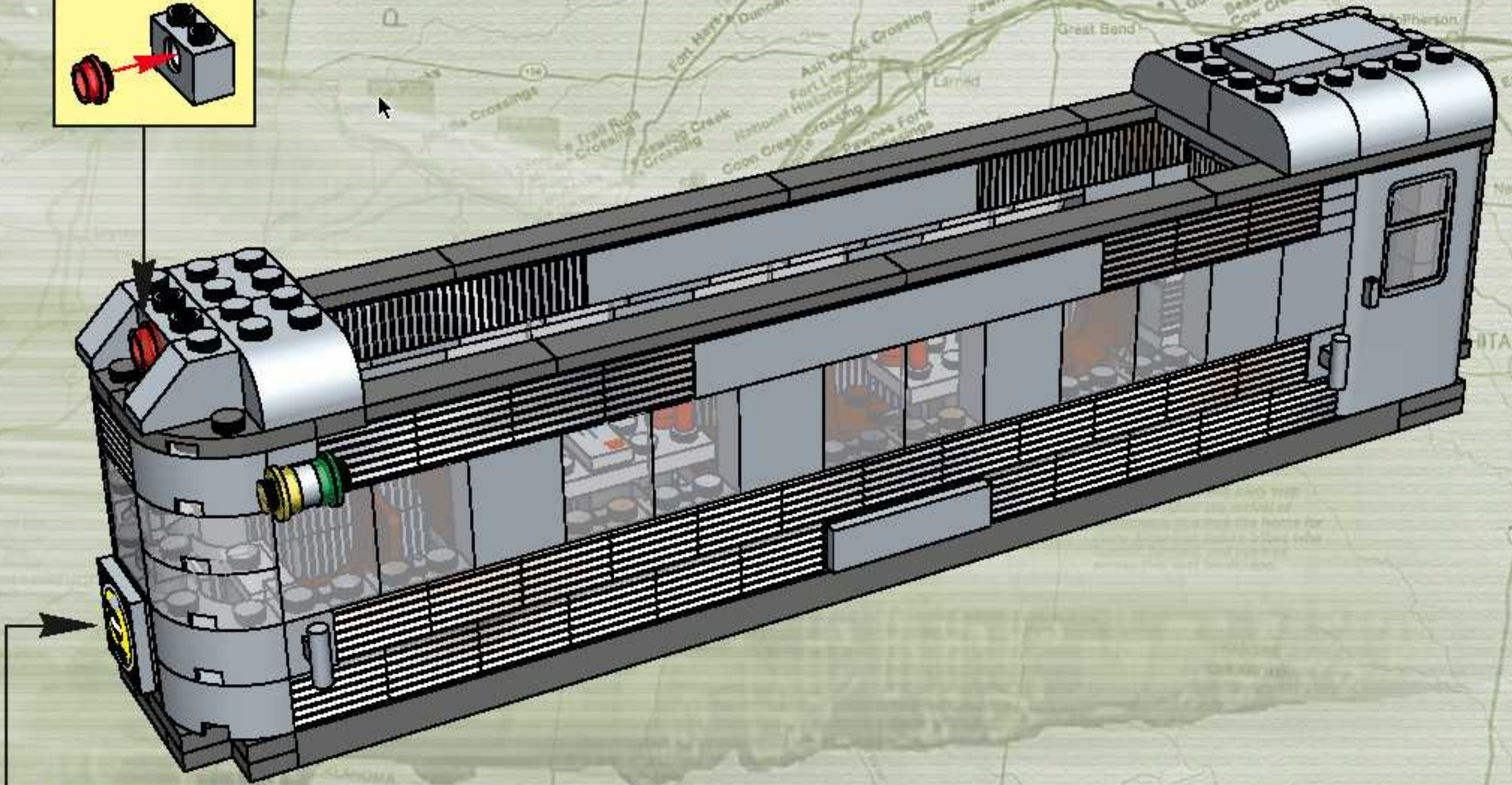
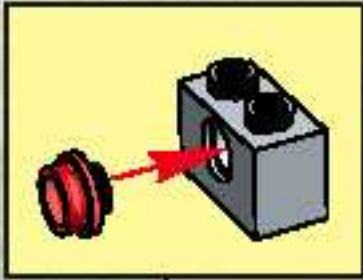
14

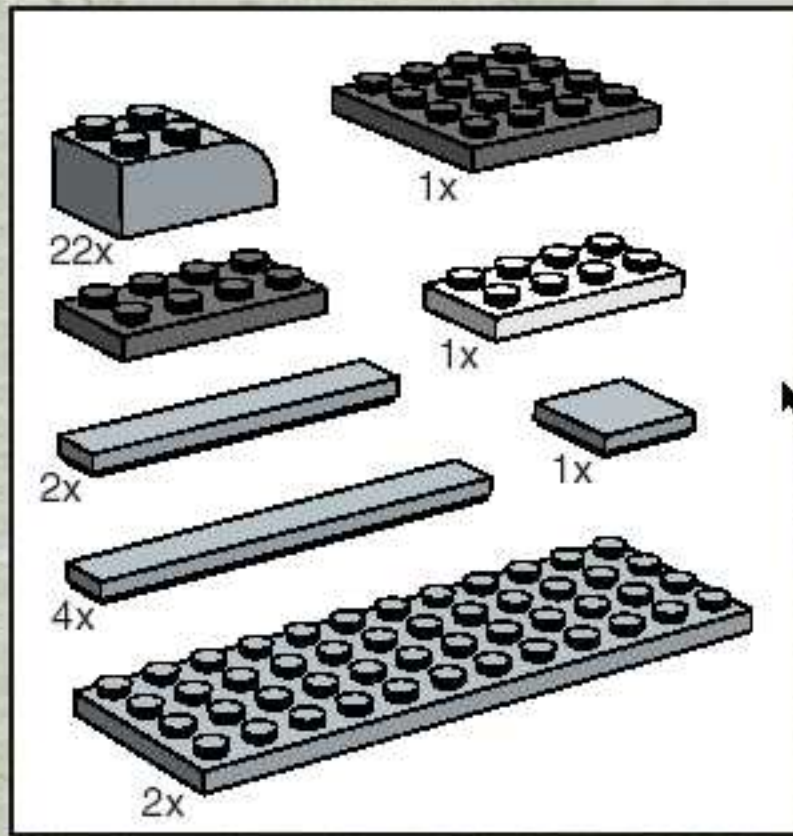




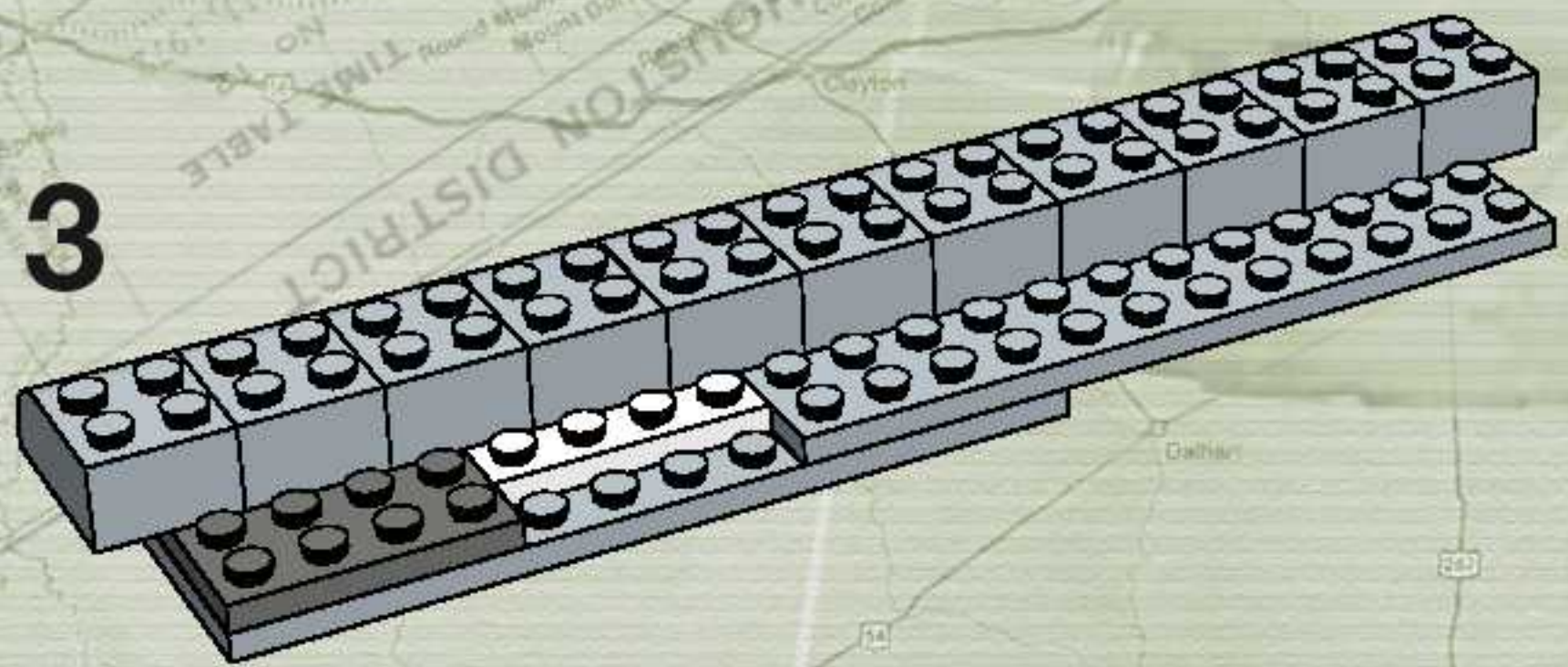
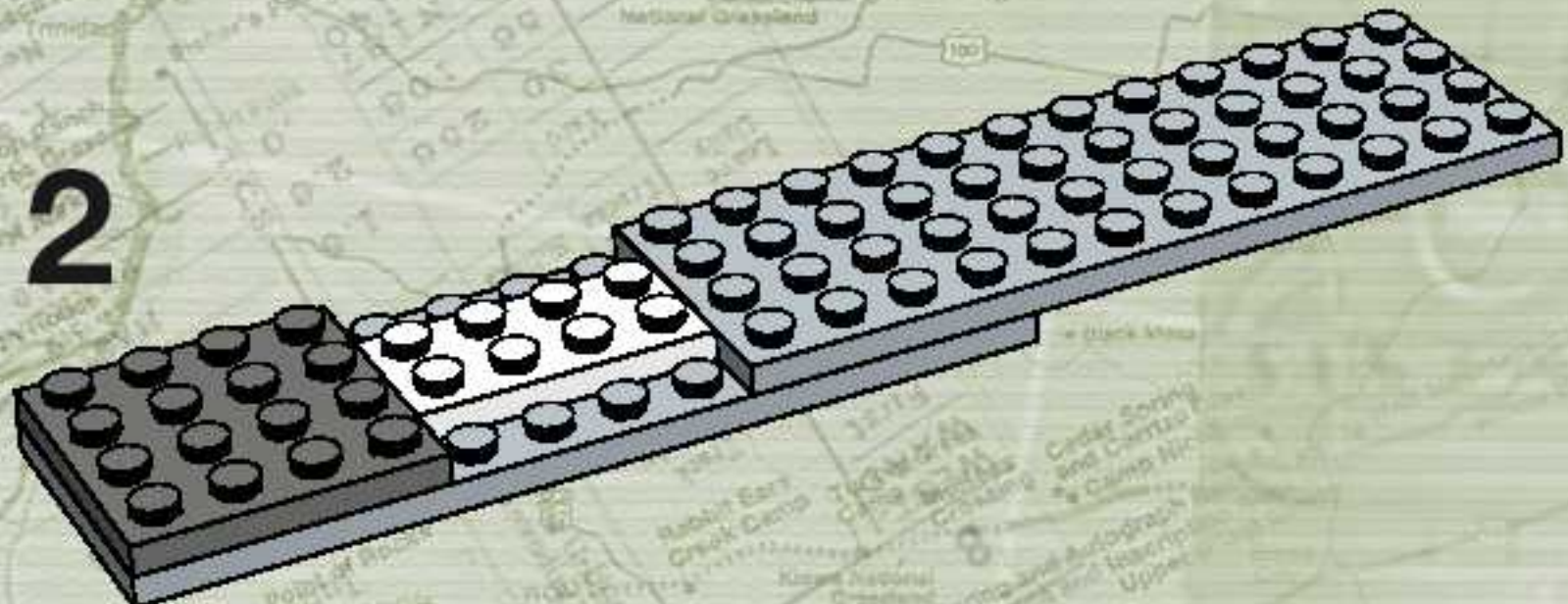
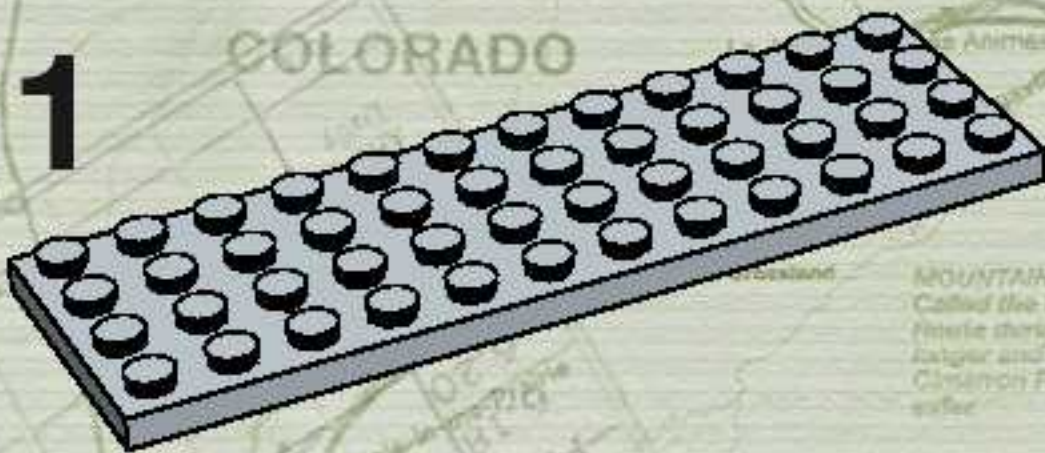
15





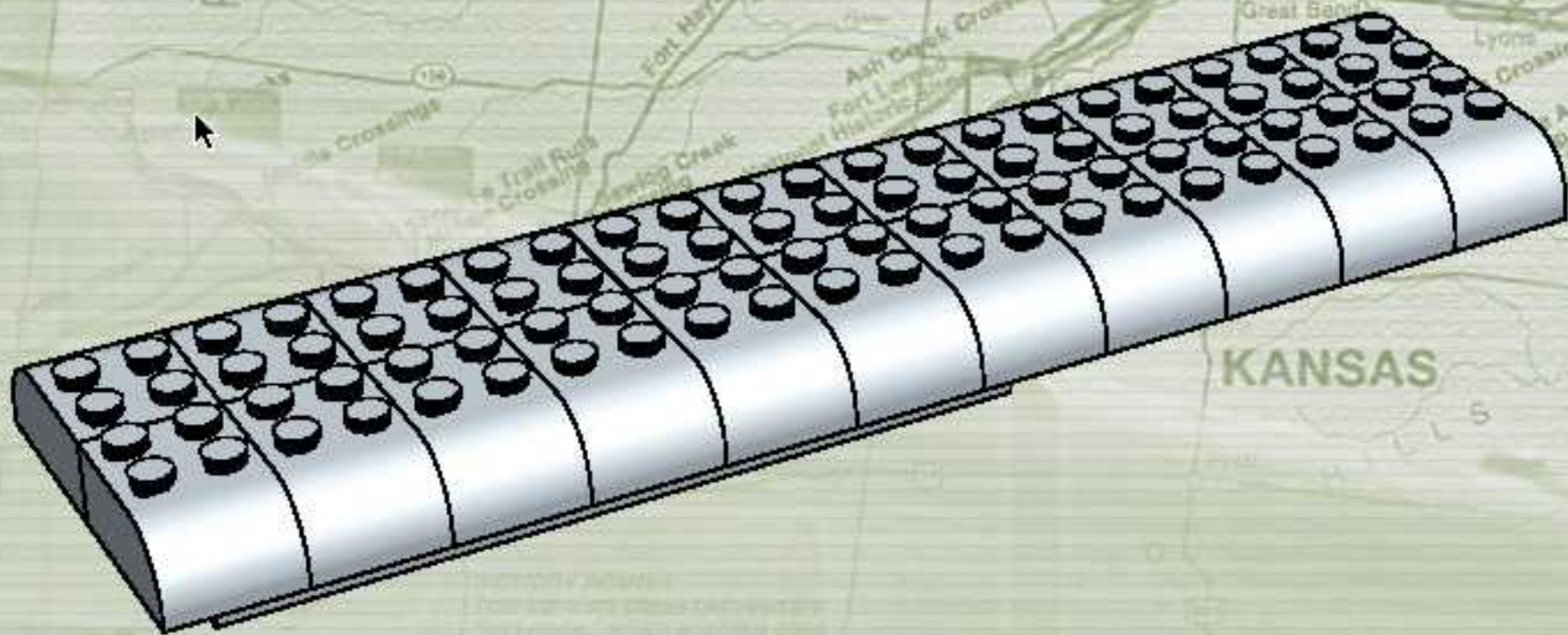


16

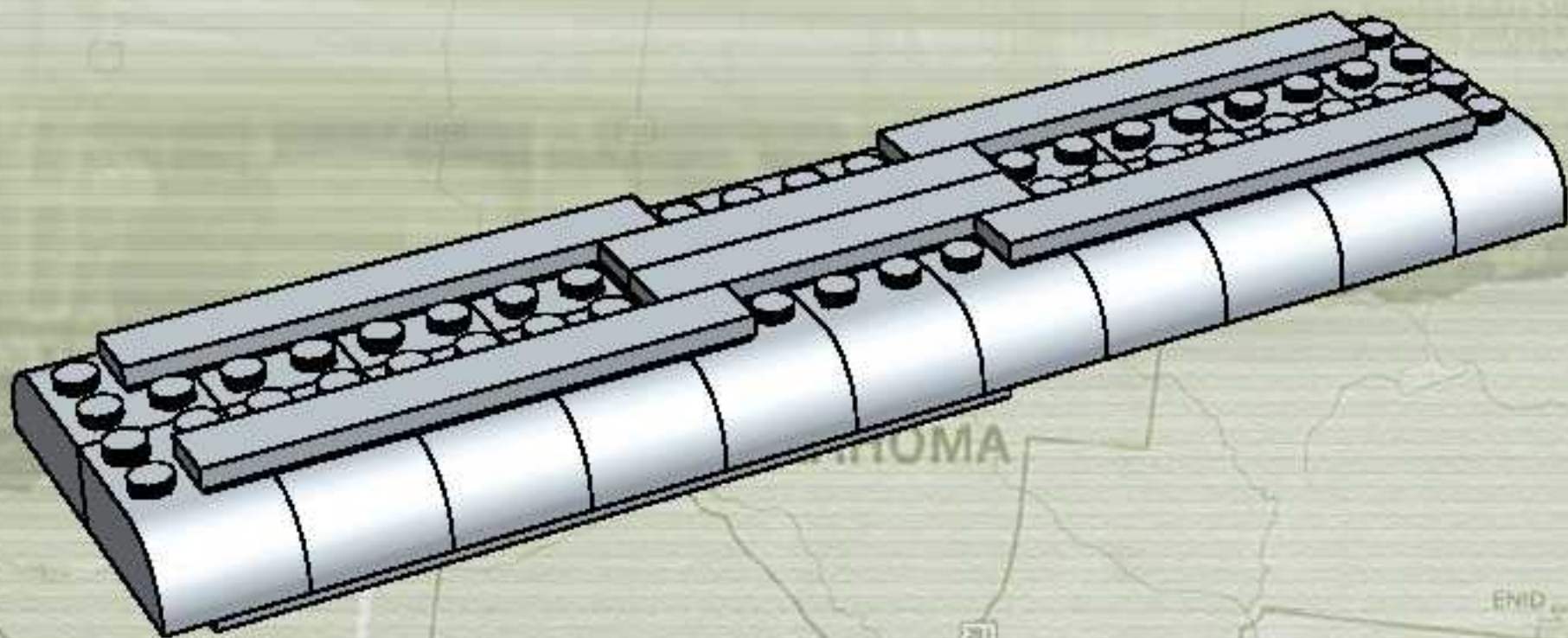


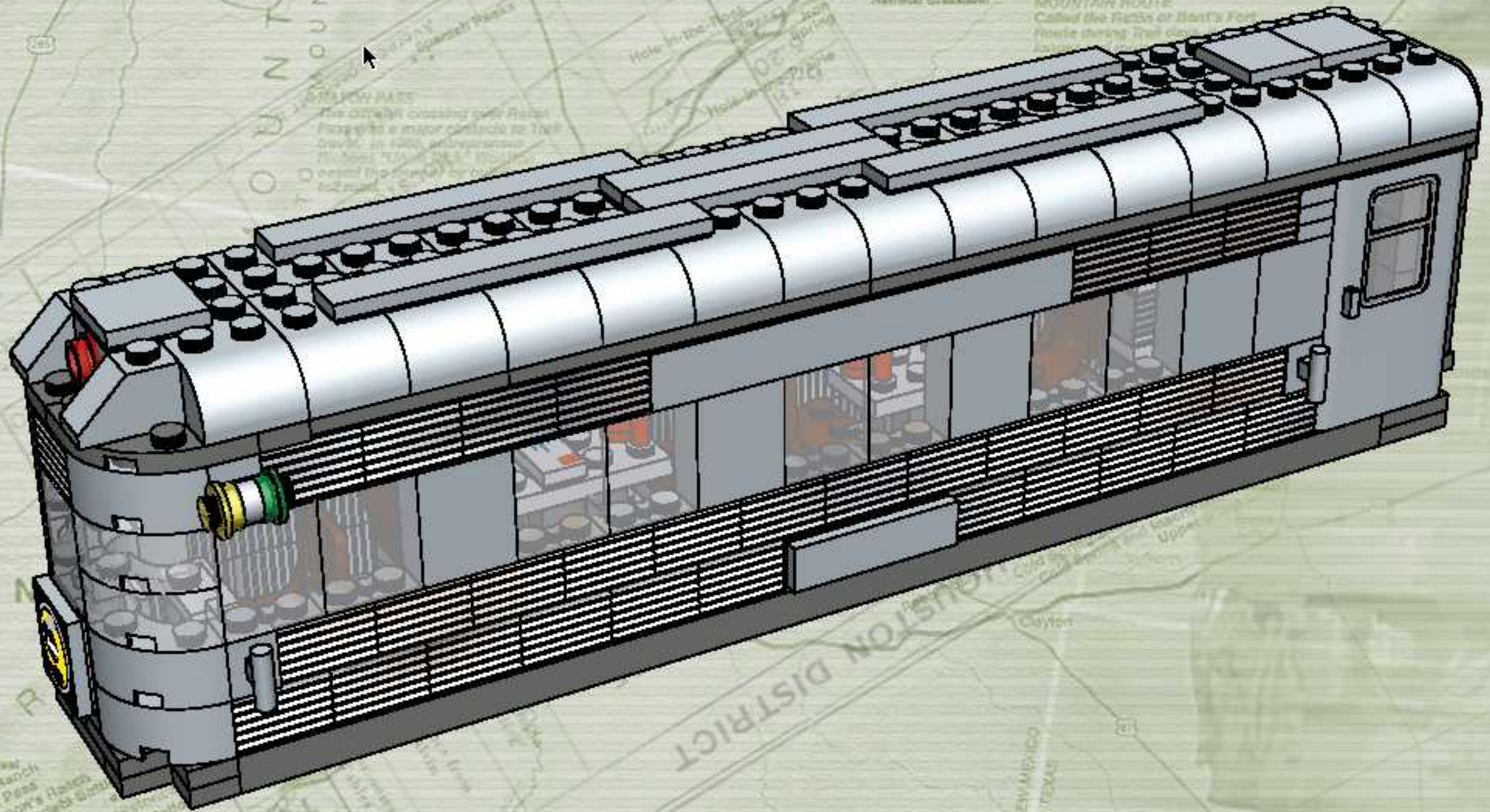
20

4



5





COLORADO

S
N
Z
A
I
N
S
M
O
U
N
T
A
I
N
S

HUNTSVILLE DISTRICT

NEW MEXICO TEXAS

Great Sand Dunes National Monument

Alamosa

Walsenburg

La Junta

Las Animas

Boggsville

Fort Lyon

Old Fort Lyon

Lamar

Old Granada Site

BIG TIMBERS

MOUNTAIN

MOUNTAIN ROUTE

Called the Route of Bent's Fort

inside during trail days

to see the trail

Monte Fe National Park

Johnson's Ranch

Morris's Pass

Piggott's Station

and Quireba Station

Wagon National Historic

Mozhewski's Stage Station

Las Vegas Plaza

Harry Oep

Las Vegas

Puertocho Rodriguez

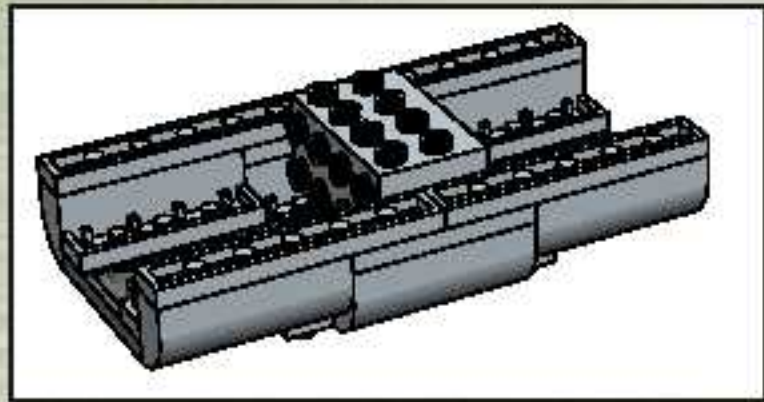
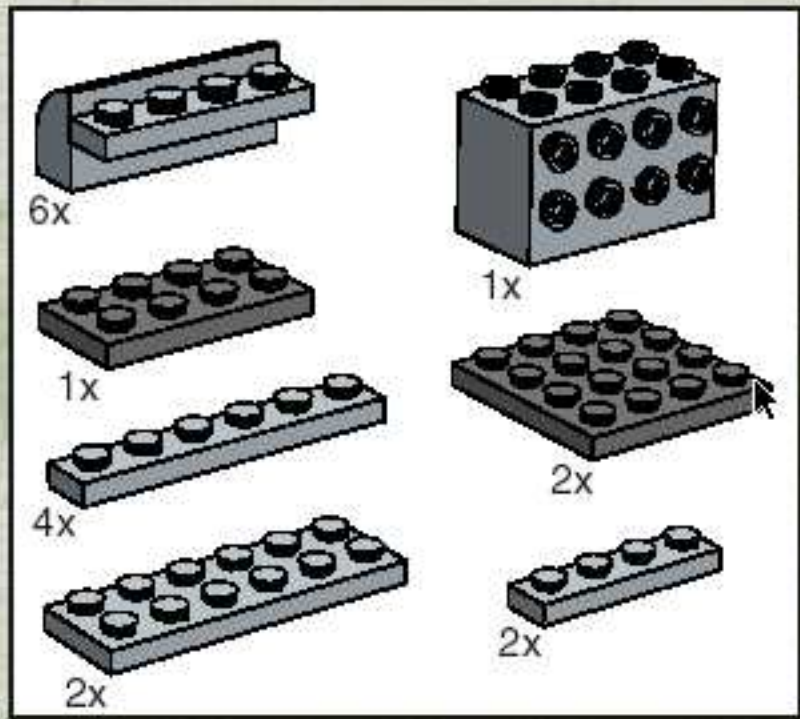
Tacolote Peak

Starvation Peak

(Bernal Hill)

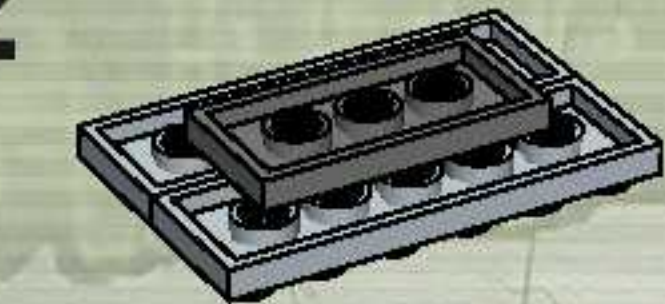
Three...
to protect...
and to...
serve as a major military supply...
depot for the Southwest.

Lake Meredith

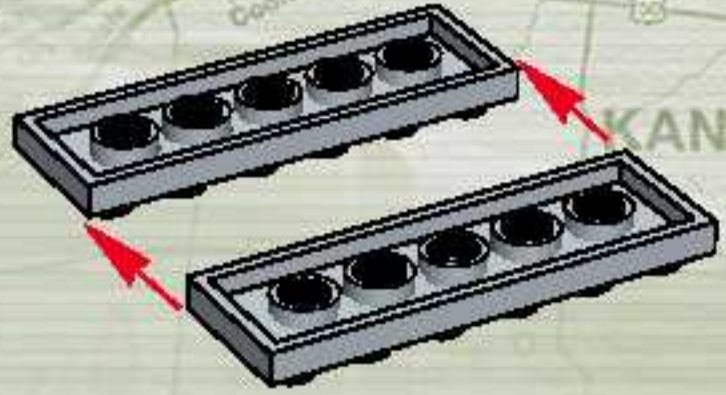


17

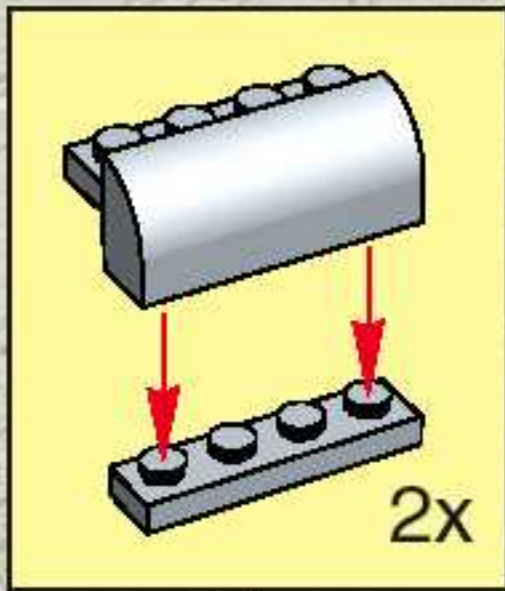
2



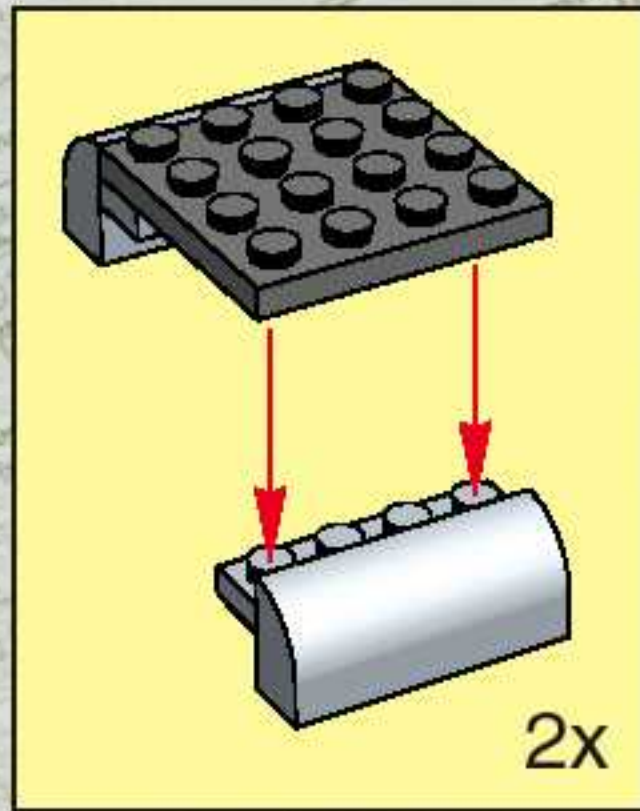
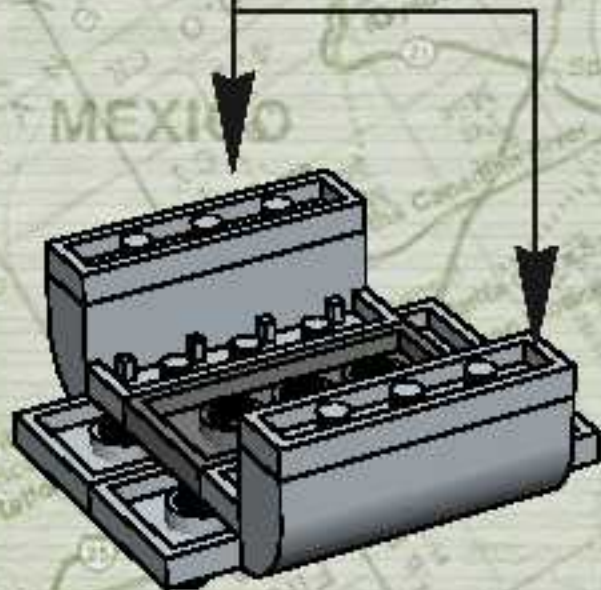
1



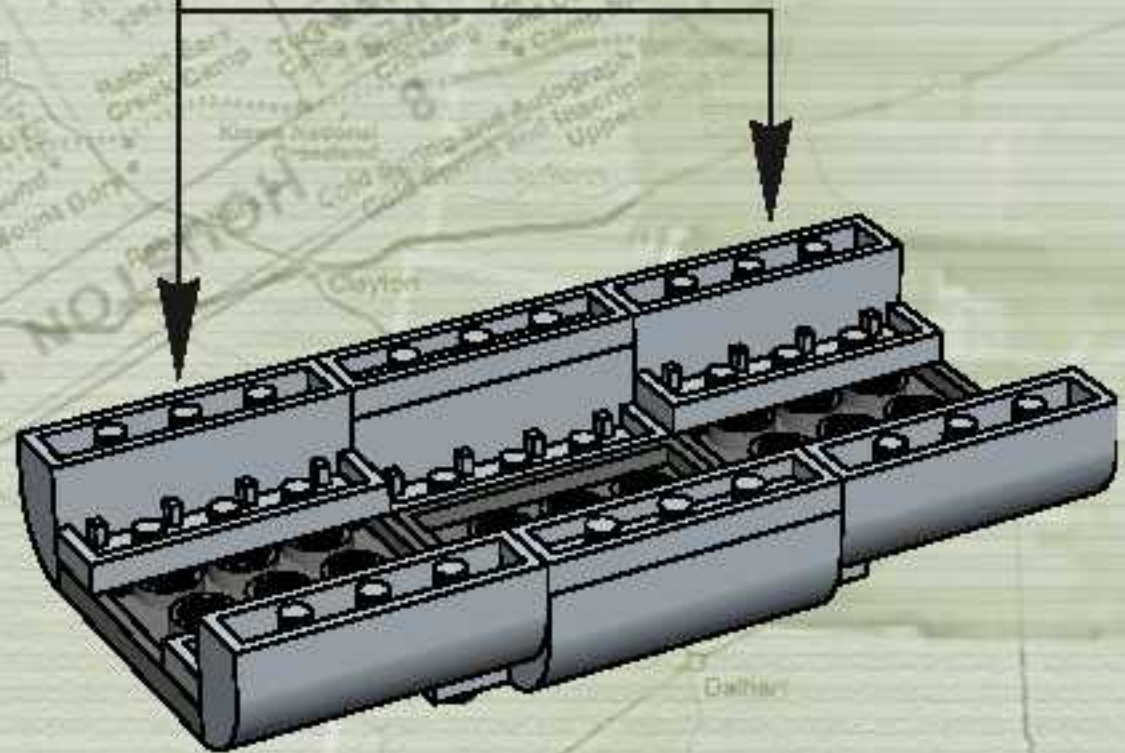
23



3

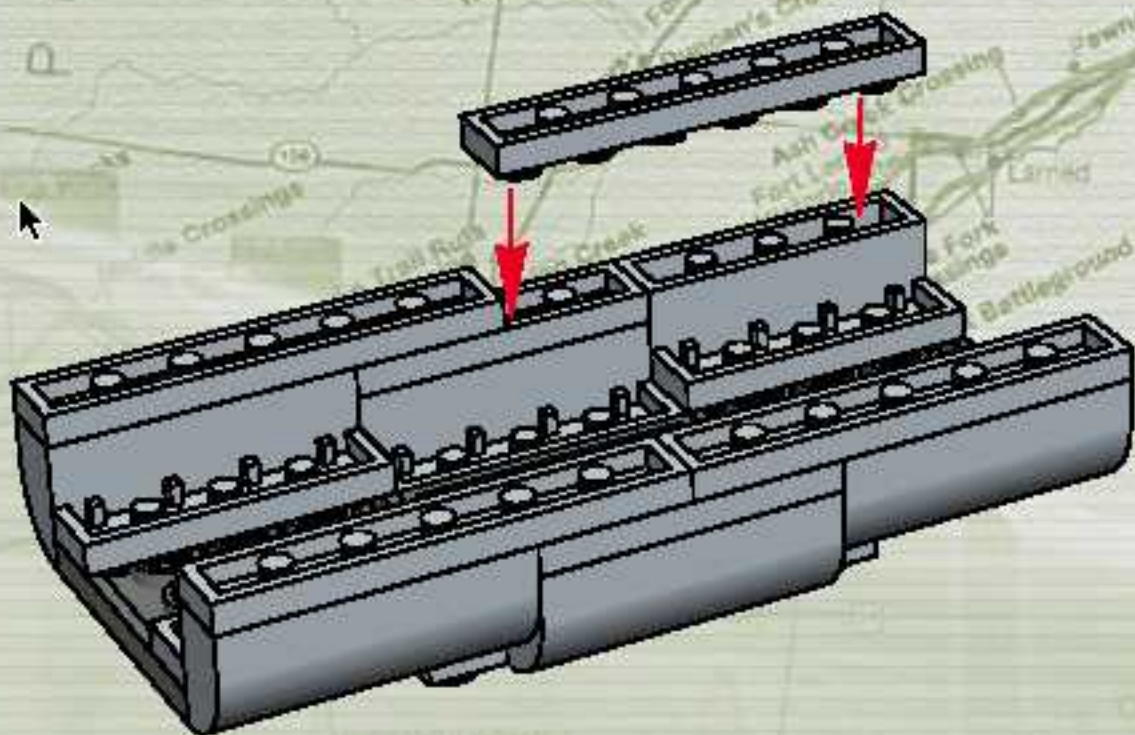


4

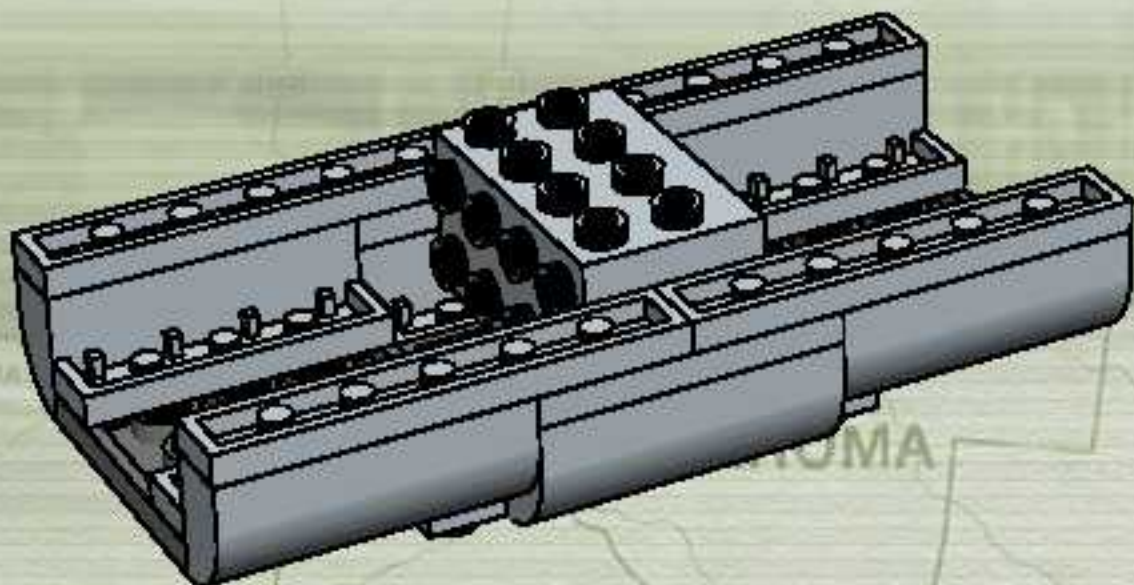


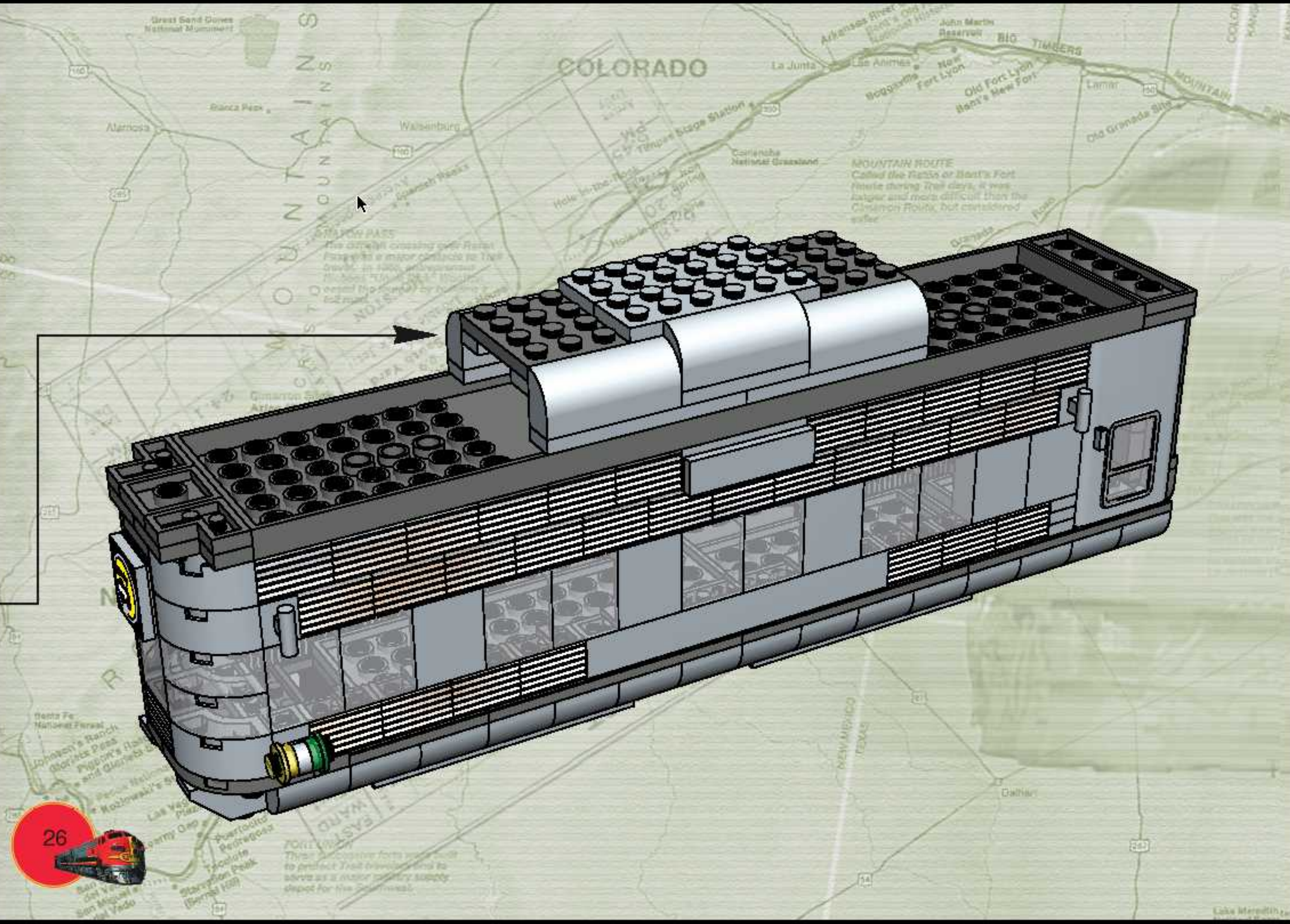
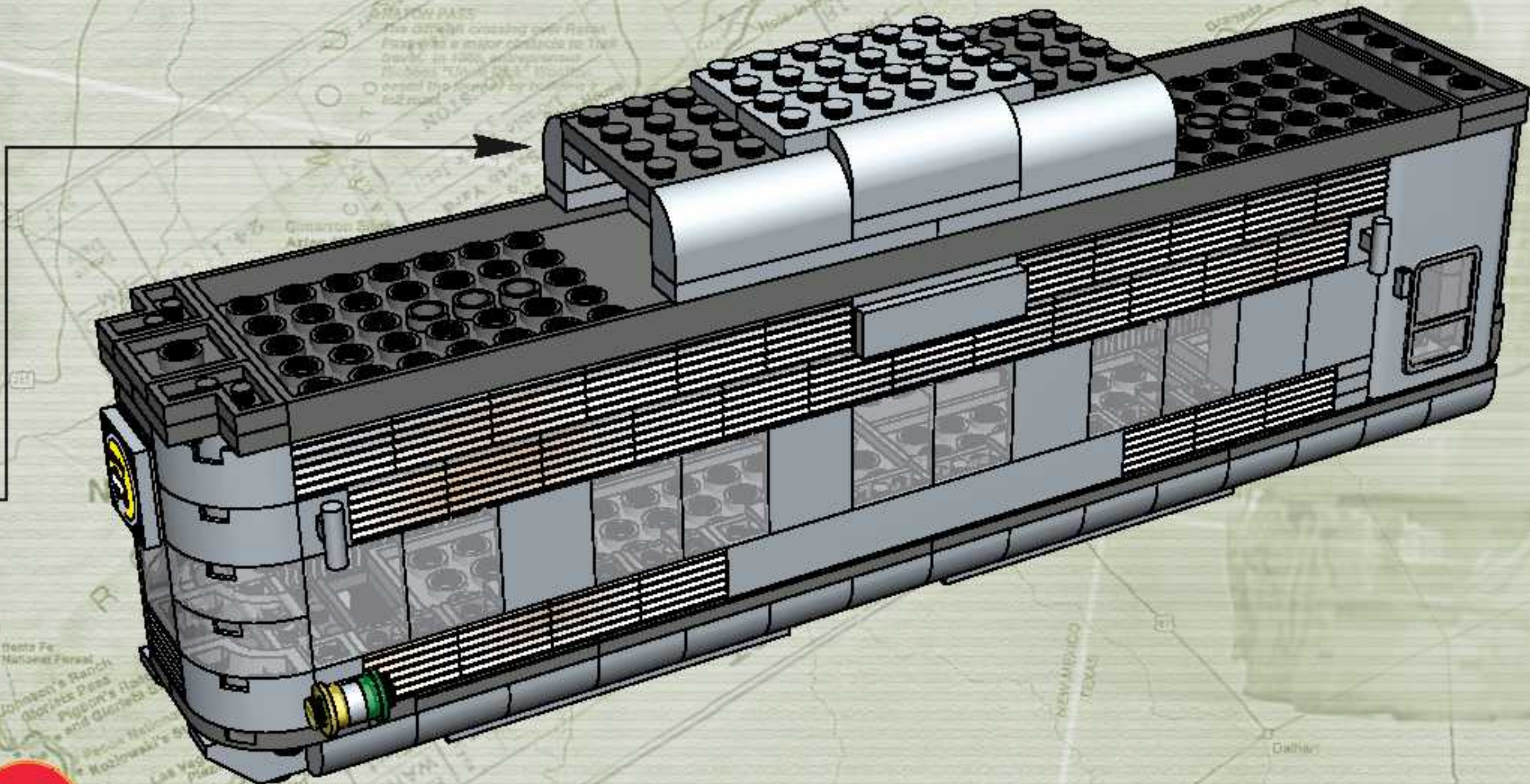
24

5

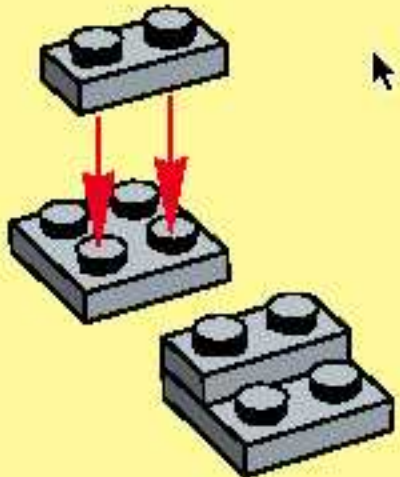


6

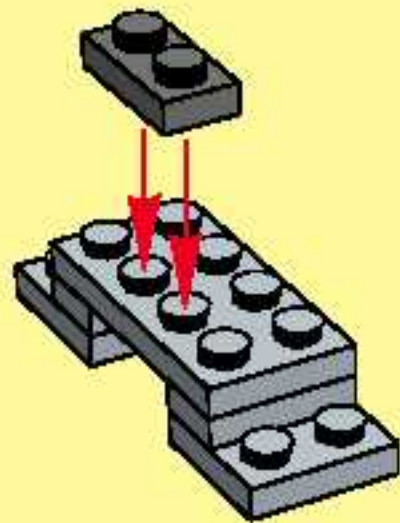




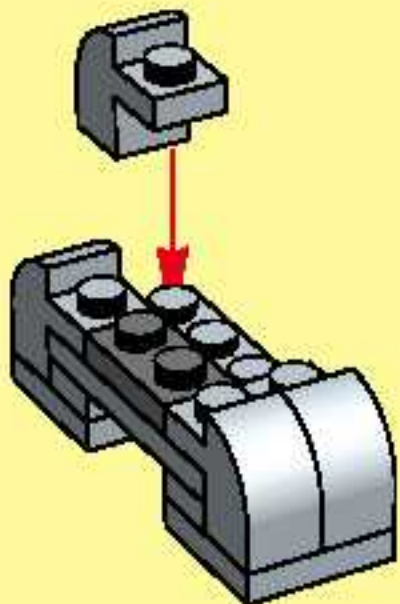
1



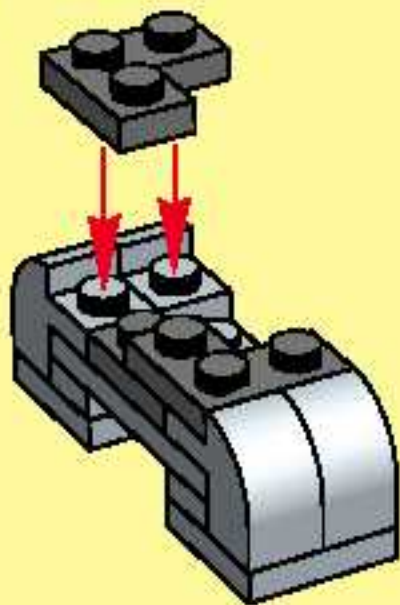
2



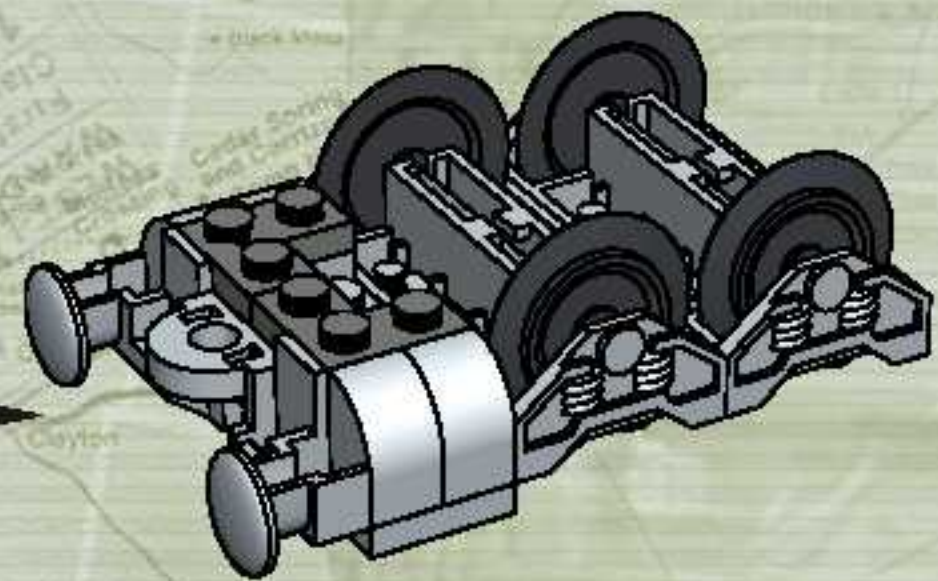
3



4



4



Great Sand Dunes National Monument

COLORADO

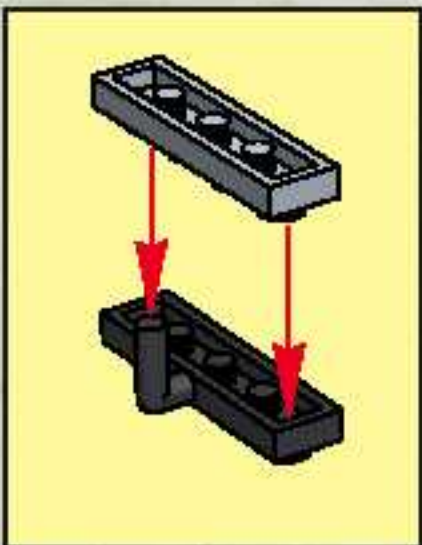
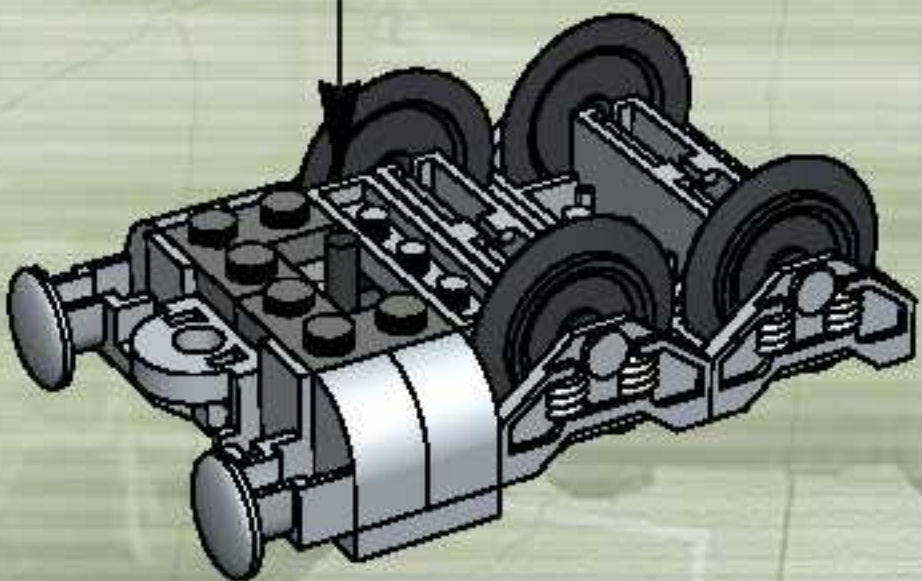
MOUNTAIN ROUTE
Called the Rabbit or Bear's Fort route during trail days, it was larger and more difficult than the Cimarron Route, but considered safer.

Las Vegas Plaza
Las Vegas
Puerto Rico
Tacolote
Starvation Peak
(Bernal Hill)

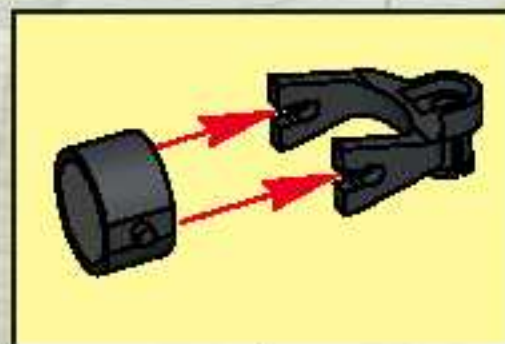
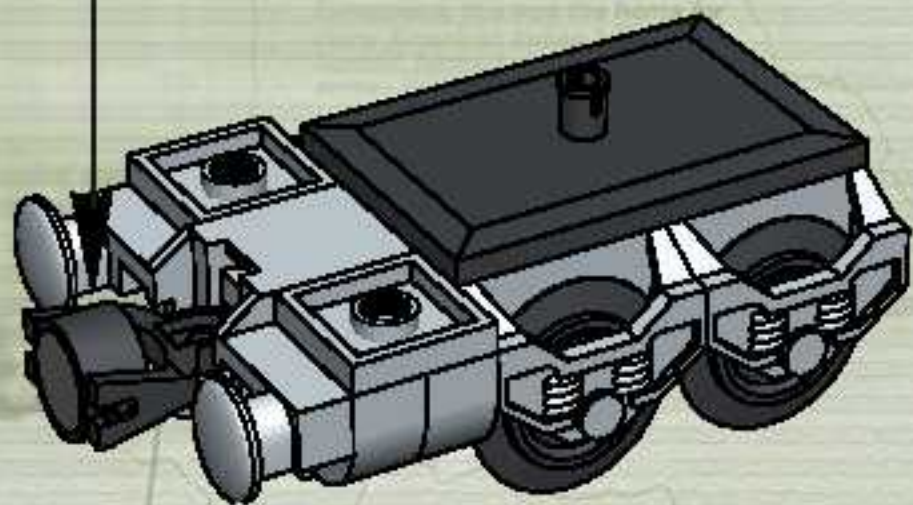
Three successive forts were built to protect trail travelers and to serve as a major military supply depot for the Southwest.

Lake Meredith

5



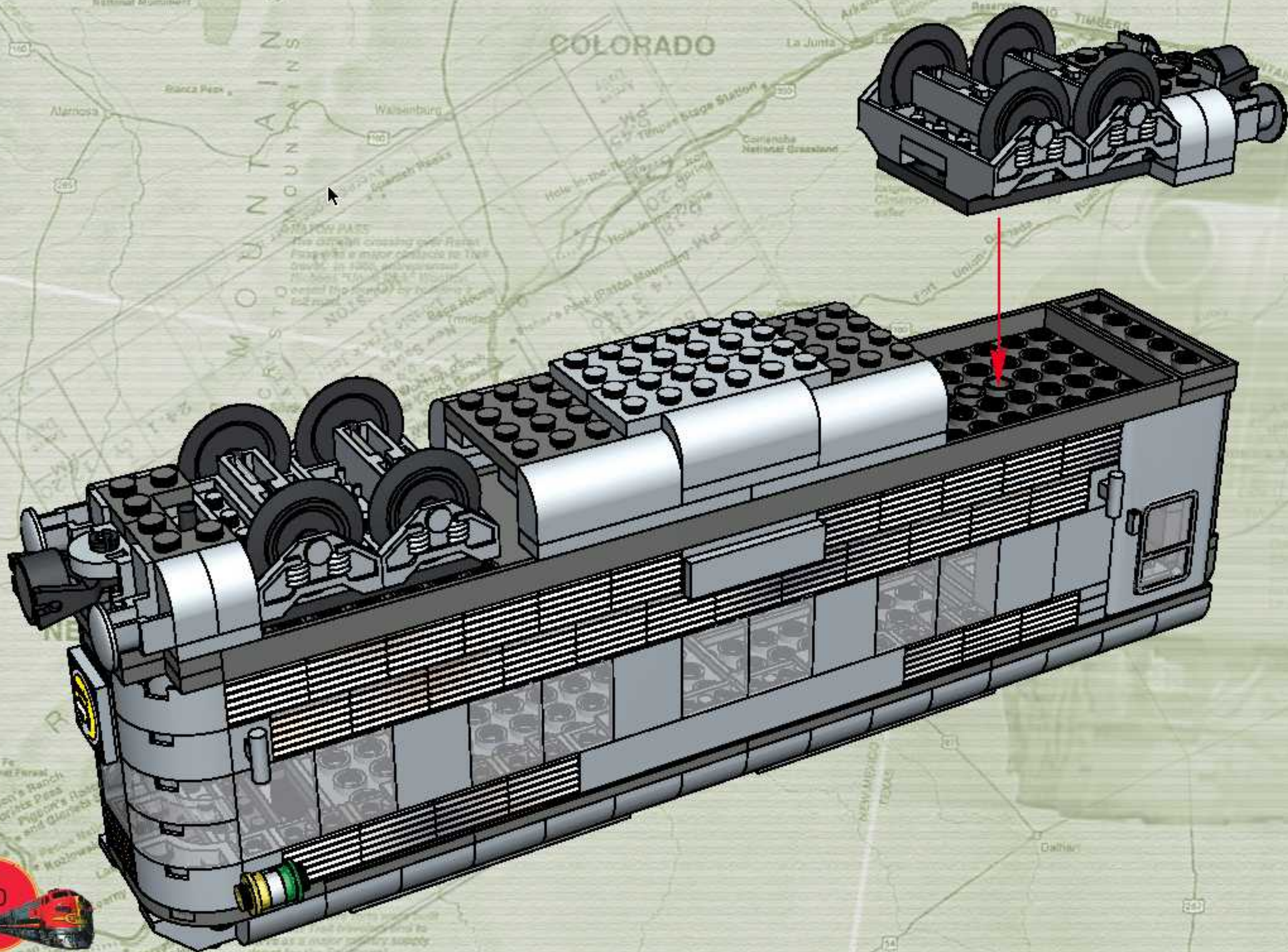
6



2x

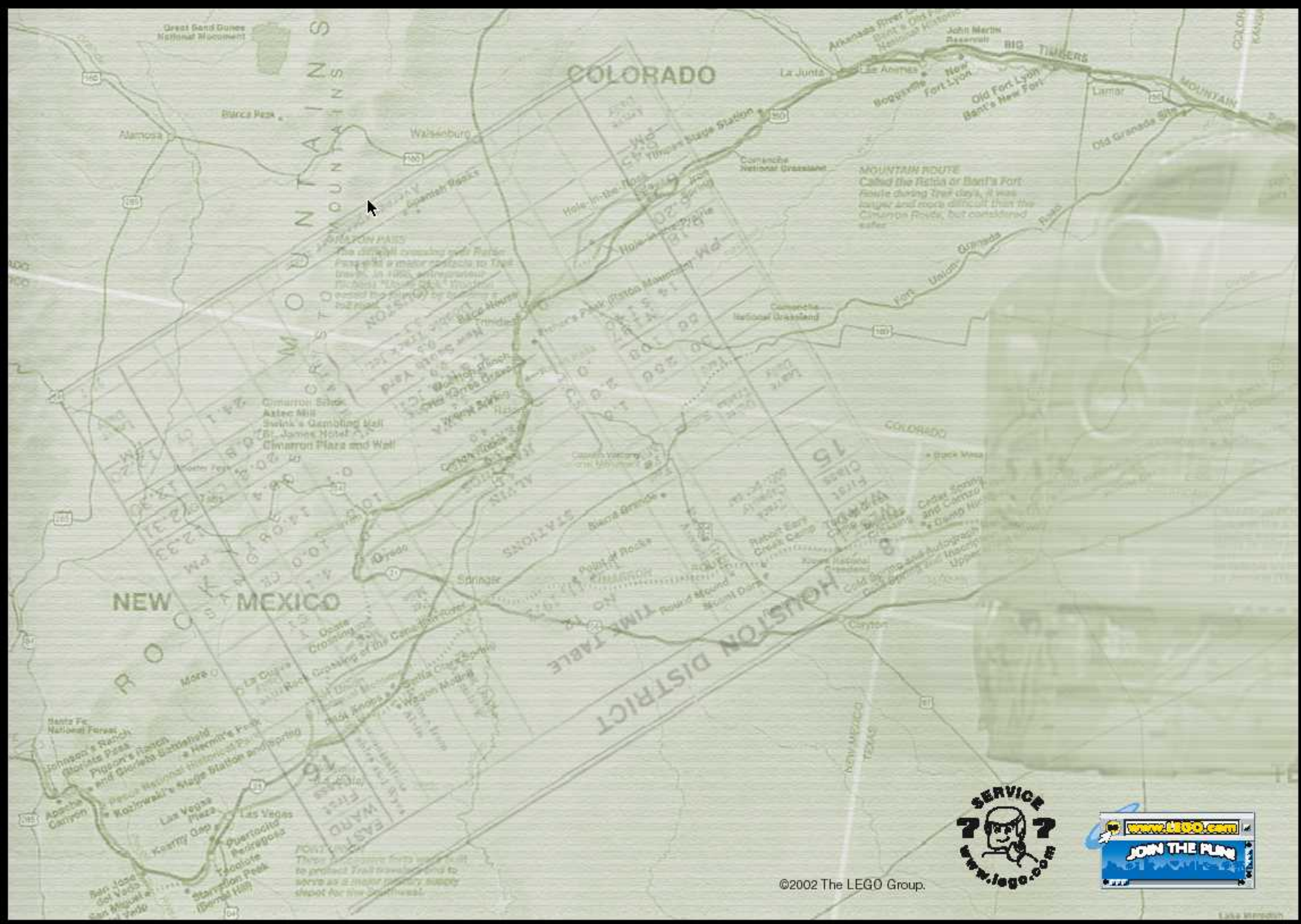


29



19





Great Sand Dunes National Monument

COLORADO

ROCKIES
WESTERN MOUNTAINS

MOUNTAIN ROUTE
Called the Flinn or Bent's Fort route during Trail days, it was longer and more difficult than the Cimarron Route, but considered safer.

PICTON PASS
The difficult crossing over Flinn Pass was a major obstacle to Trail travel. In 1866, entrepreneur Thomas 'Doc' Smith's 'Mountain Mail' was the first to cross.

Cimarron School
Aster Mill
Swink's Gambling Hall
St. James Hotel
Cimarron Plaza and Wall

NEW MEXICO

HOUSTON DISTRICT
HOUSTON TIME TABLE

