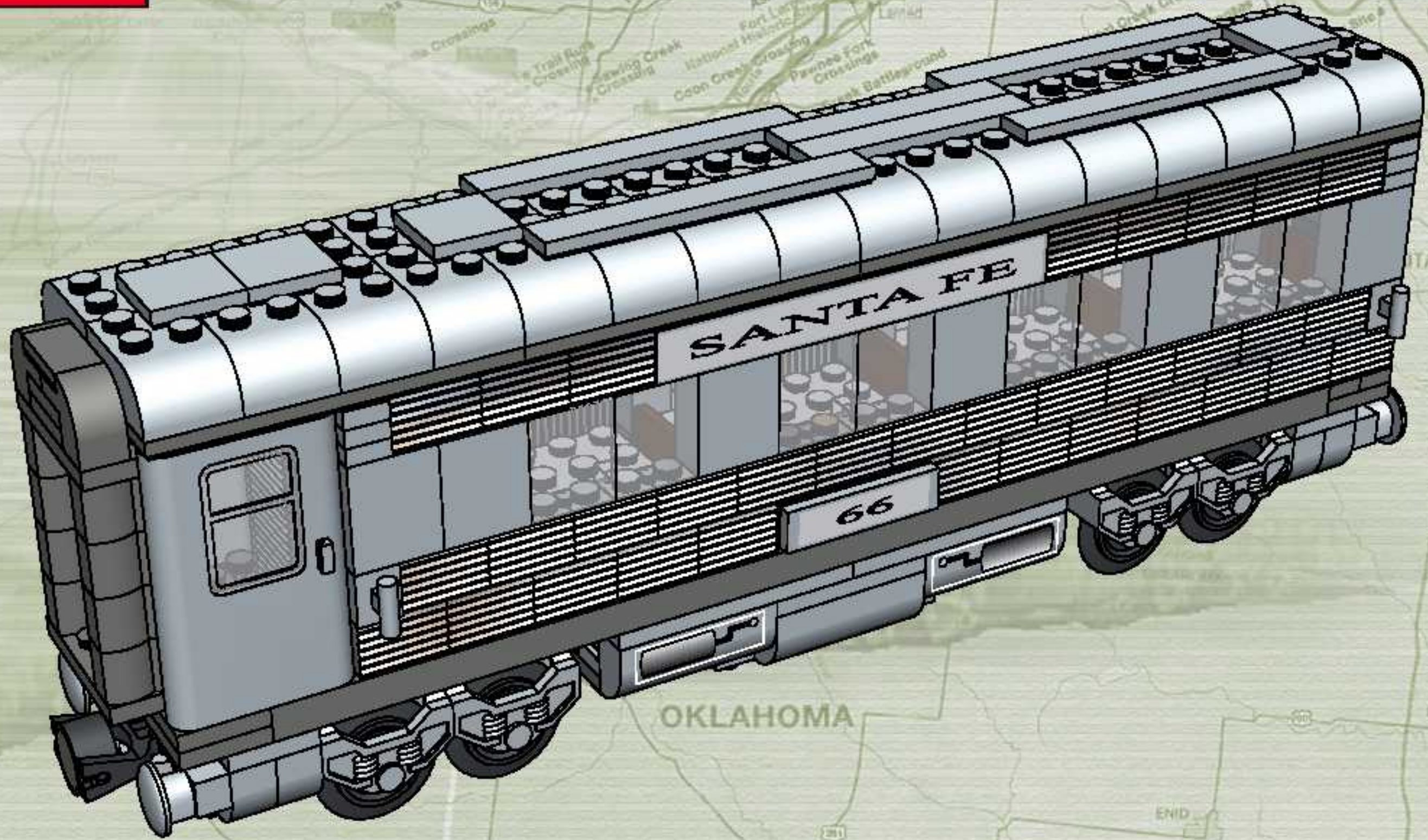
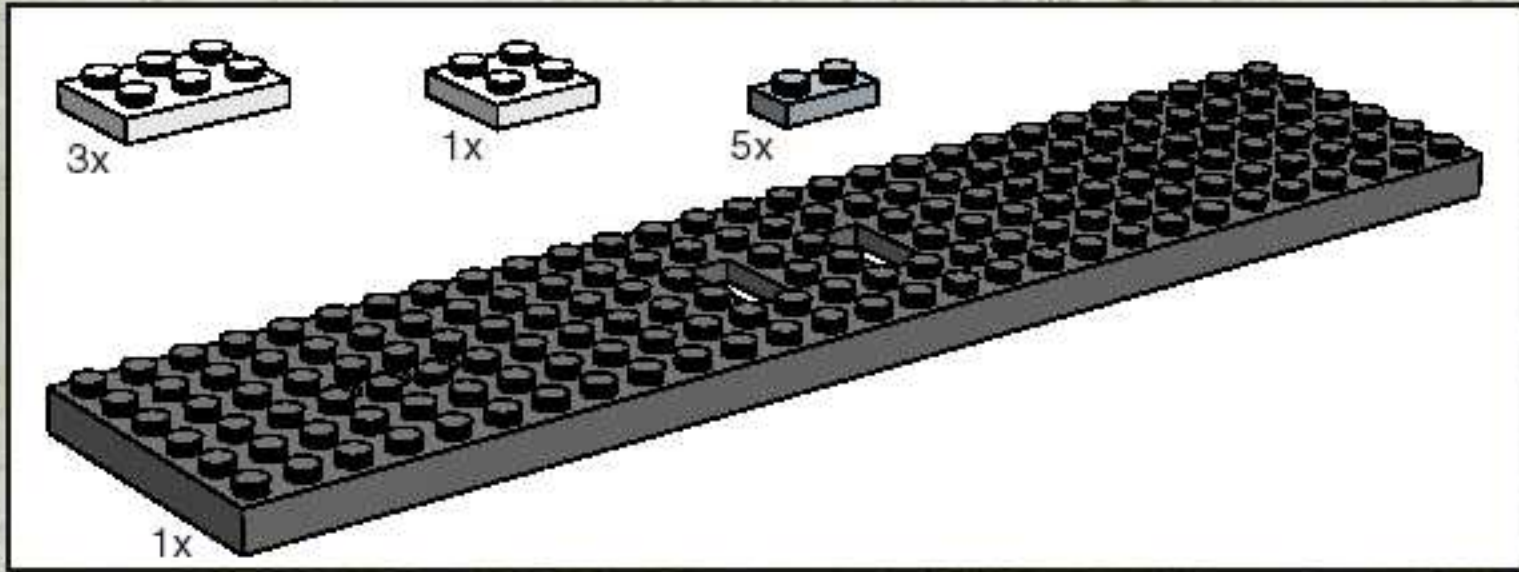
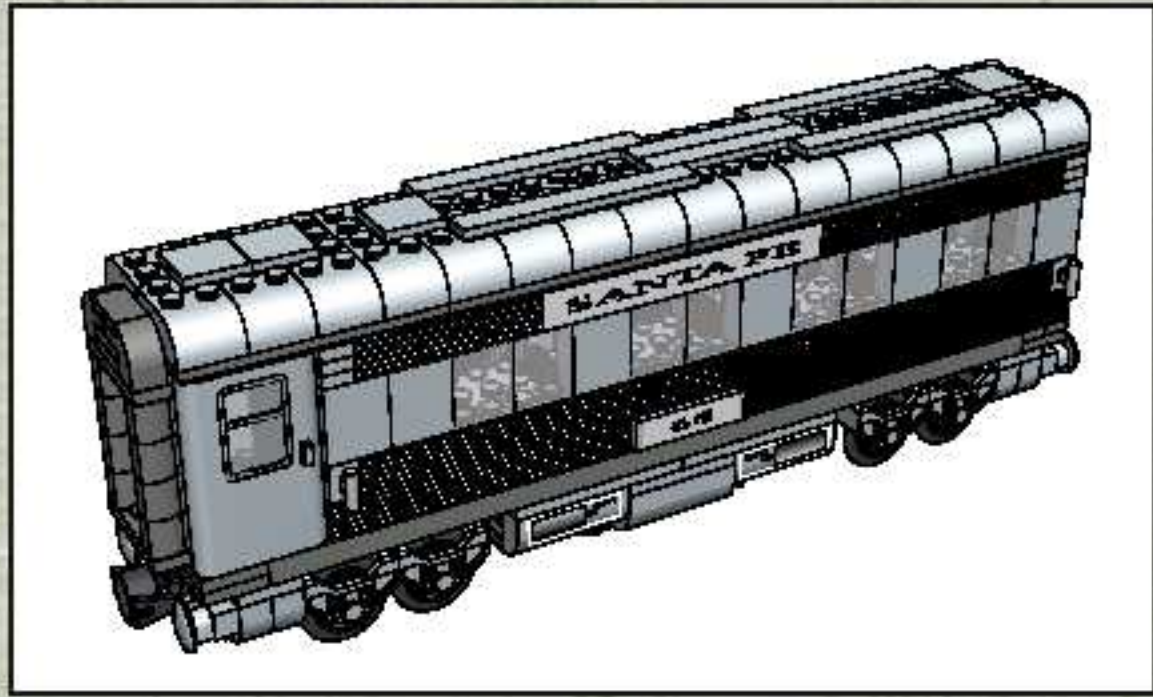


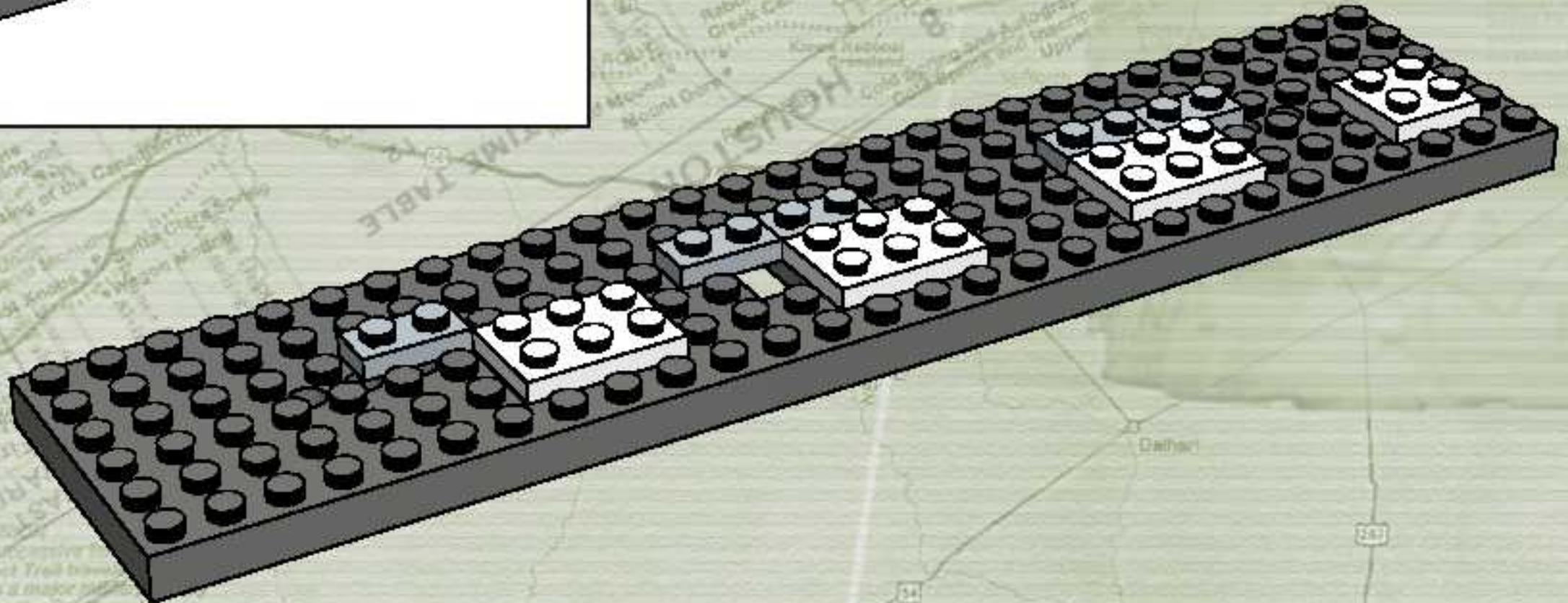


10022-3





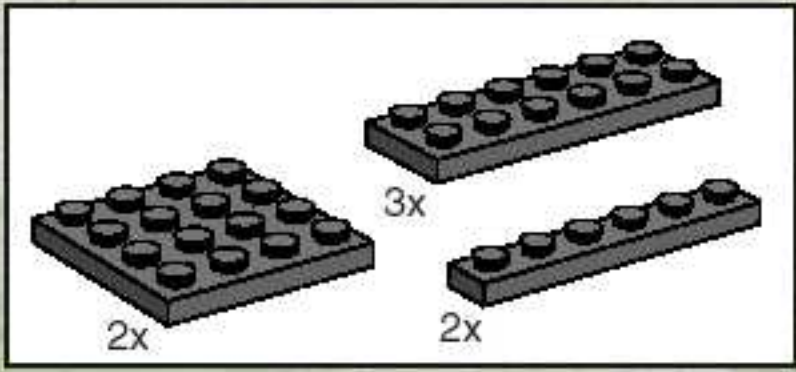
1



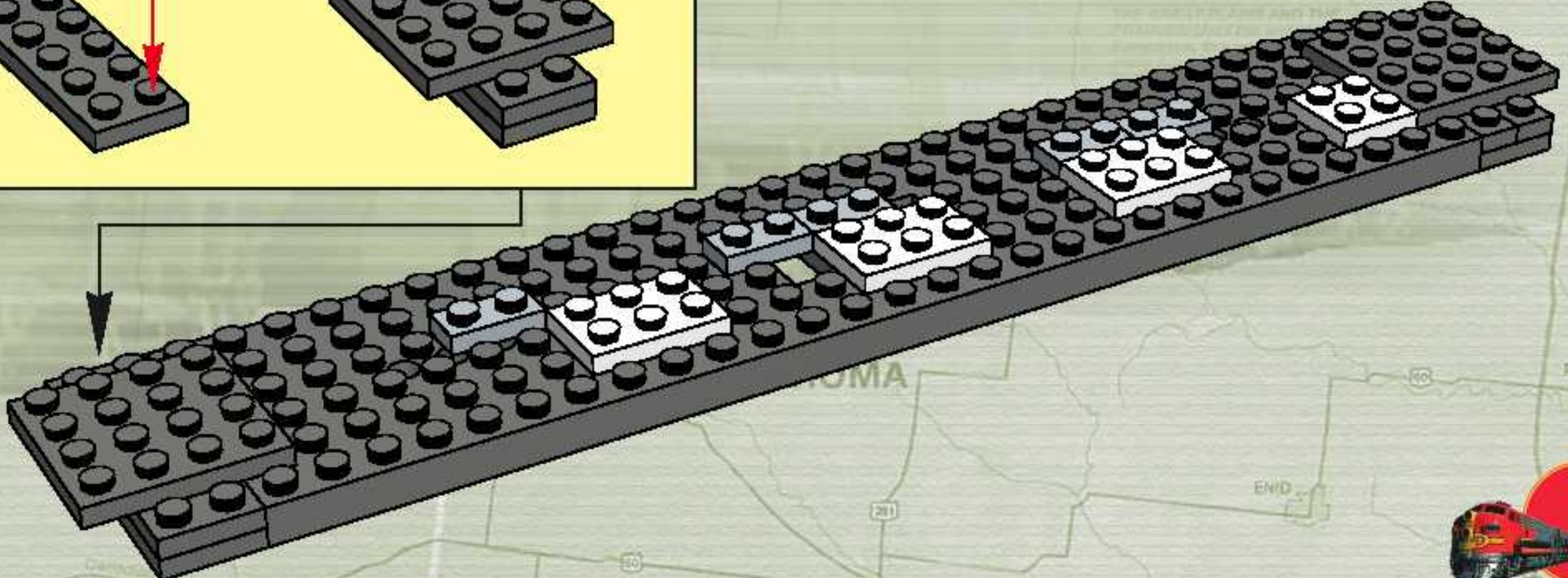
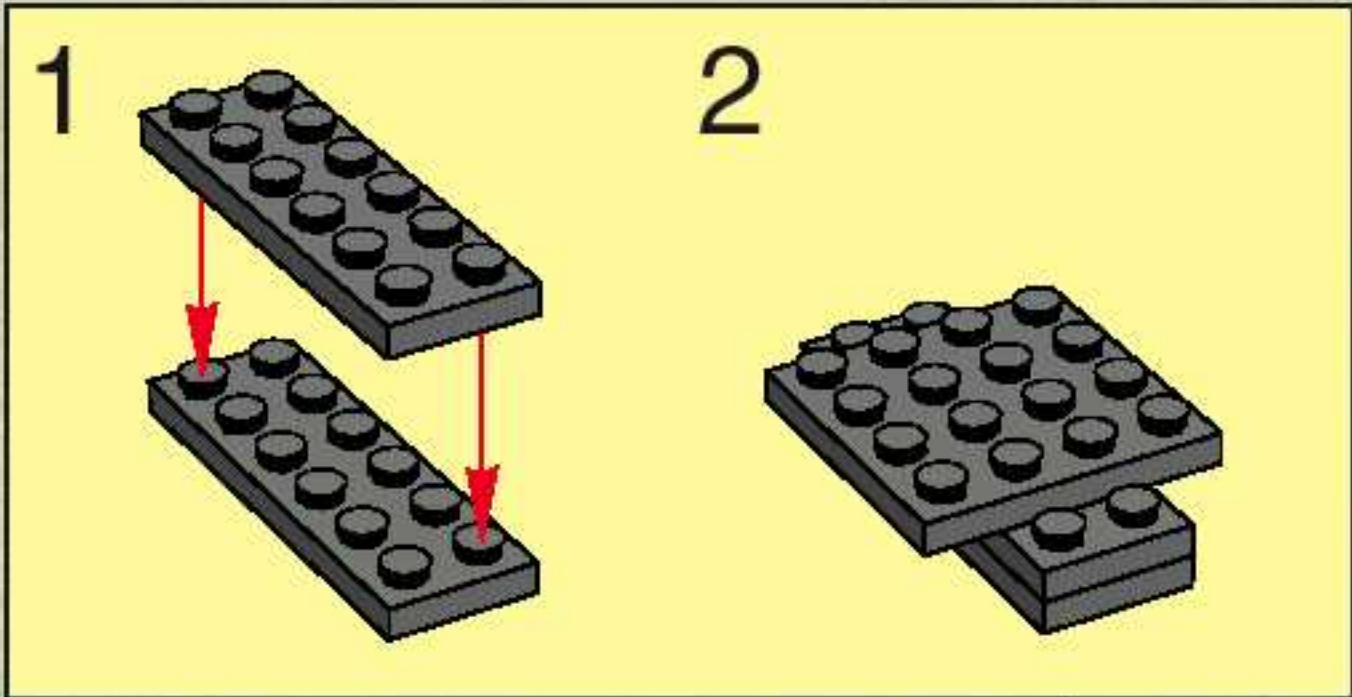
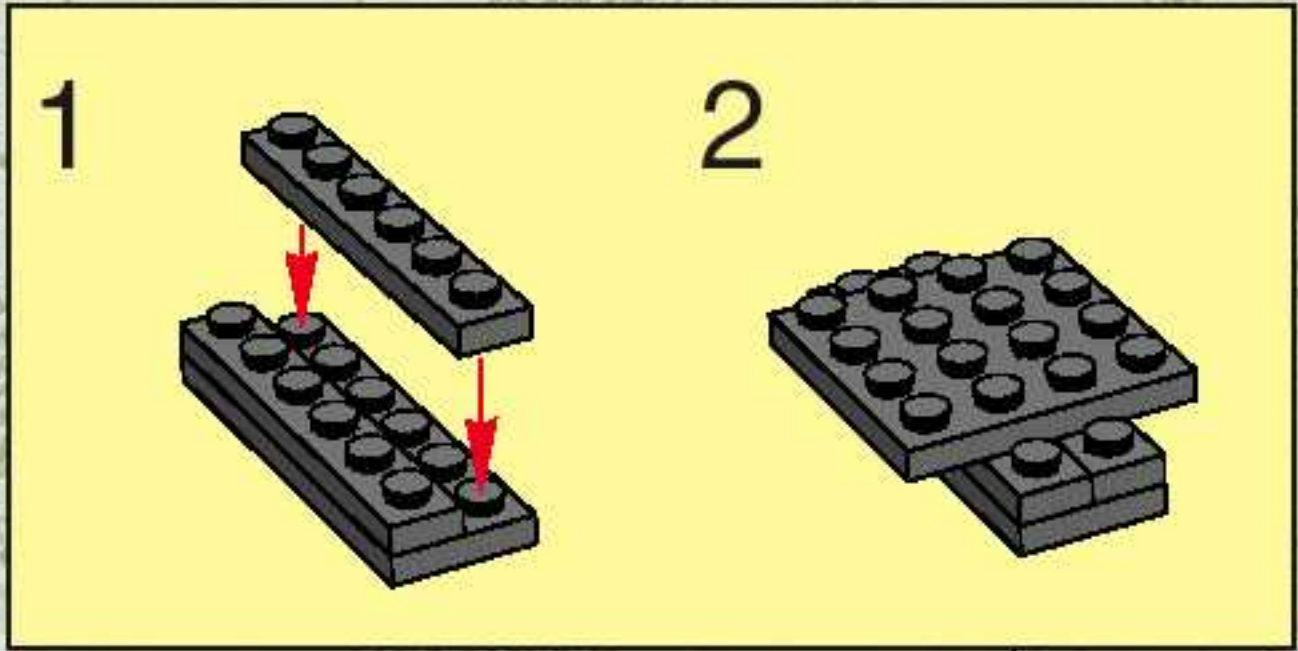
2

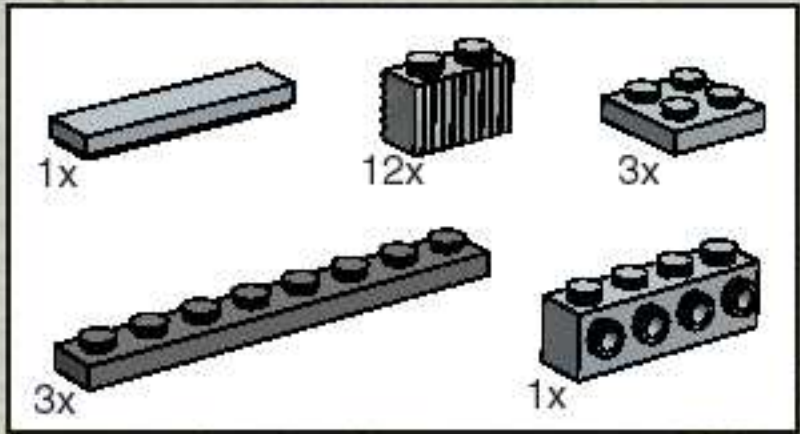
COLORADO

MOUNTAIN ROUTE
Called the Rabbit or Bent's Fort
Route during their days, it was
larger and more difficult than the
Cannon Route, but considered
safer.

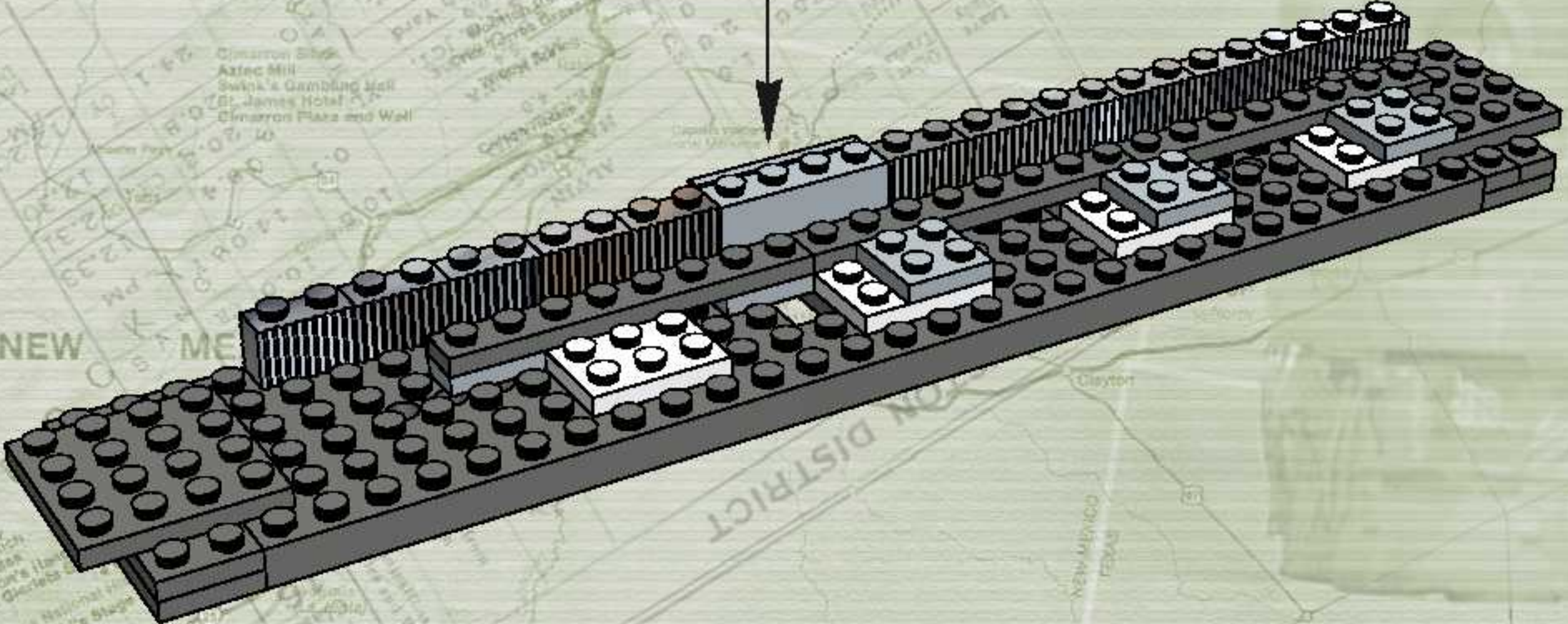
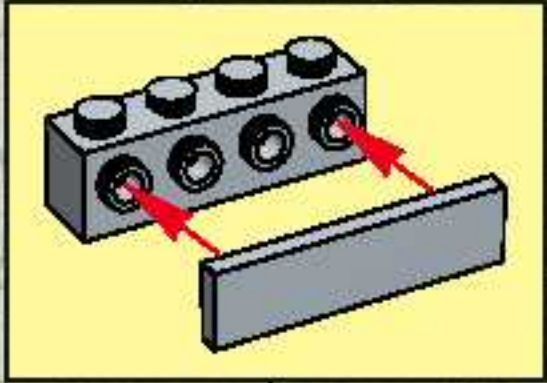


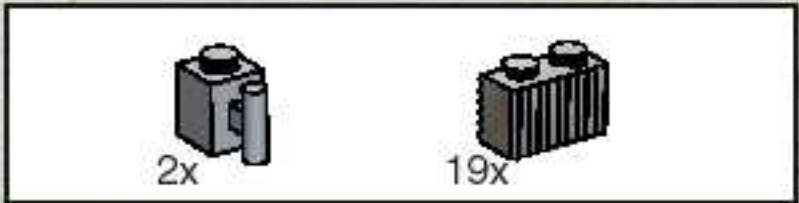
2



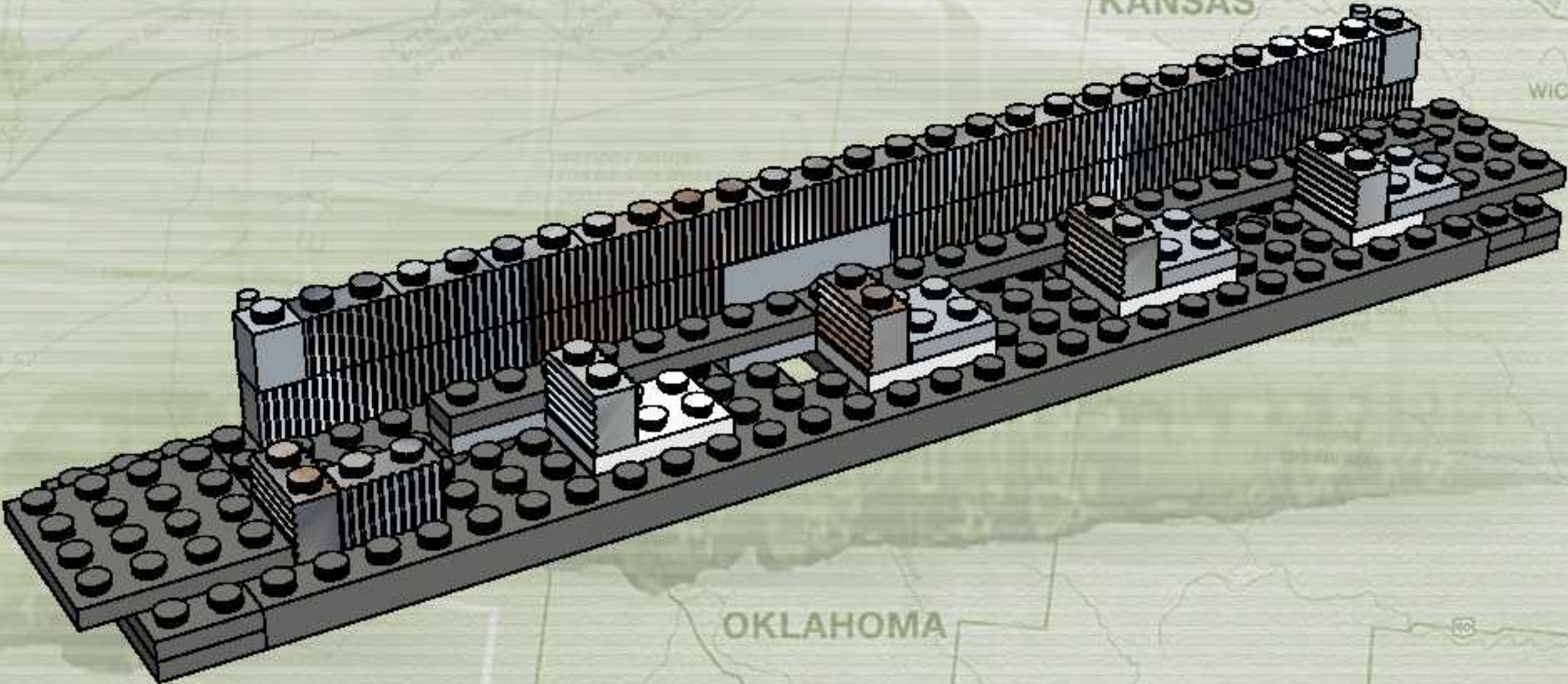


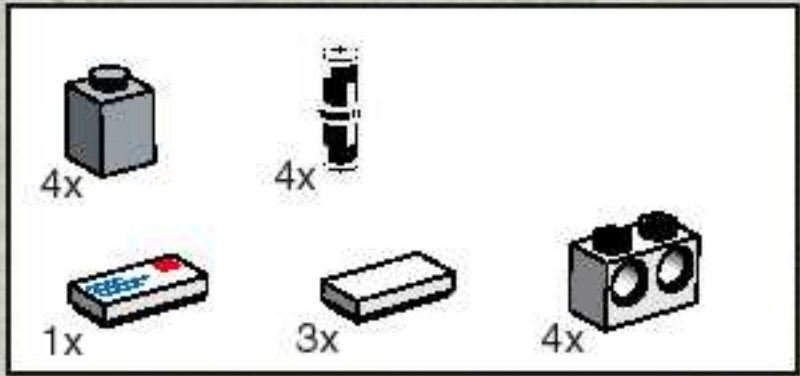
3



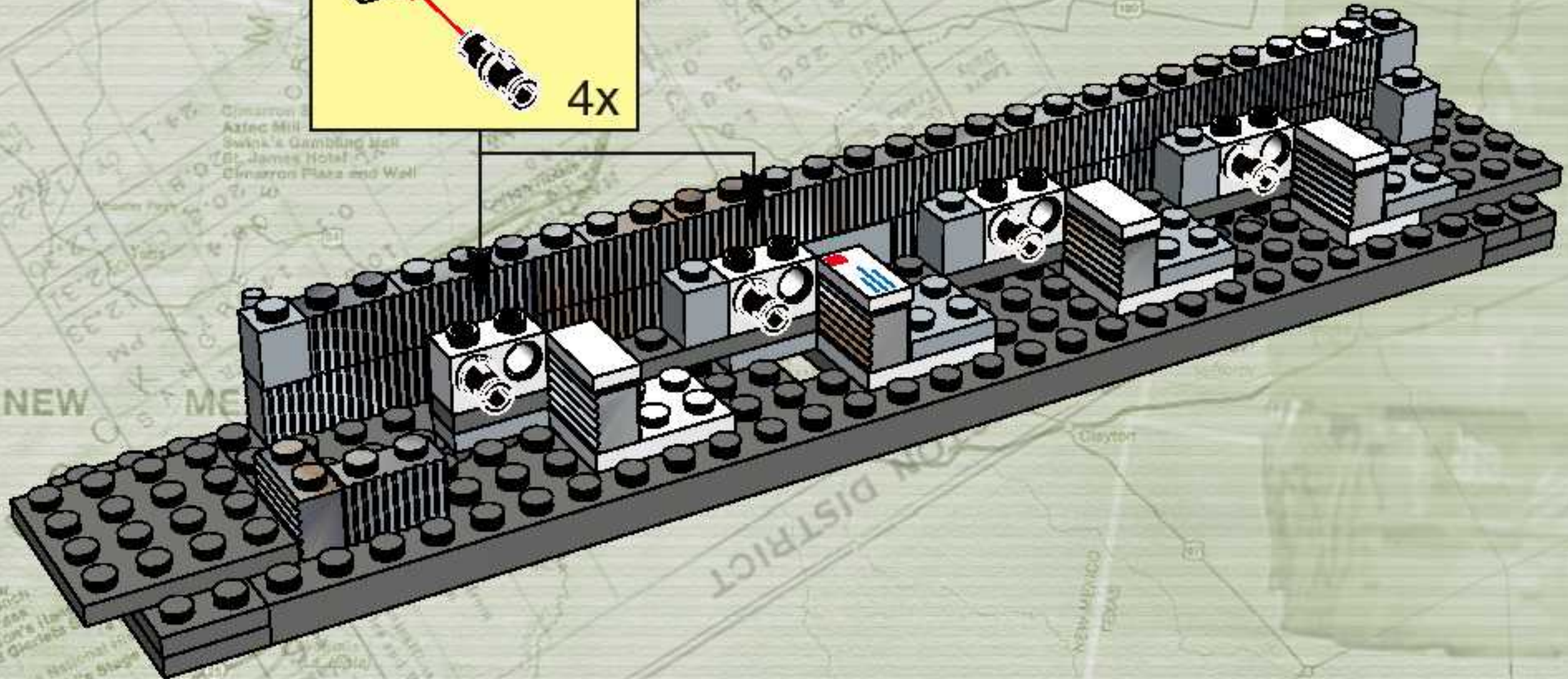
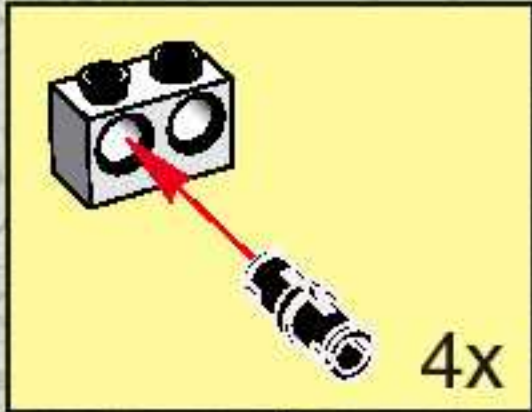


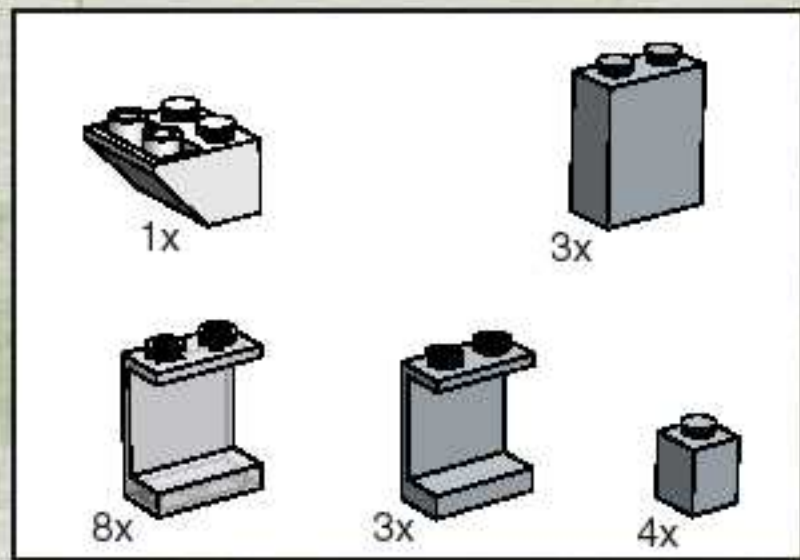
4



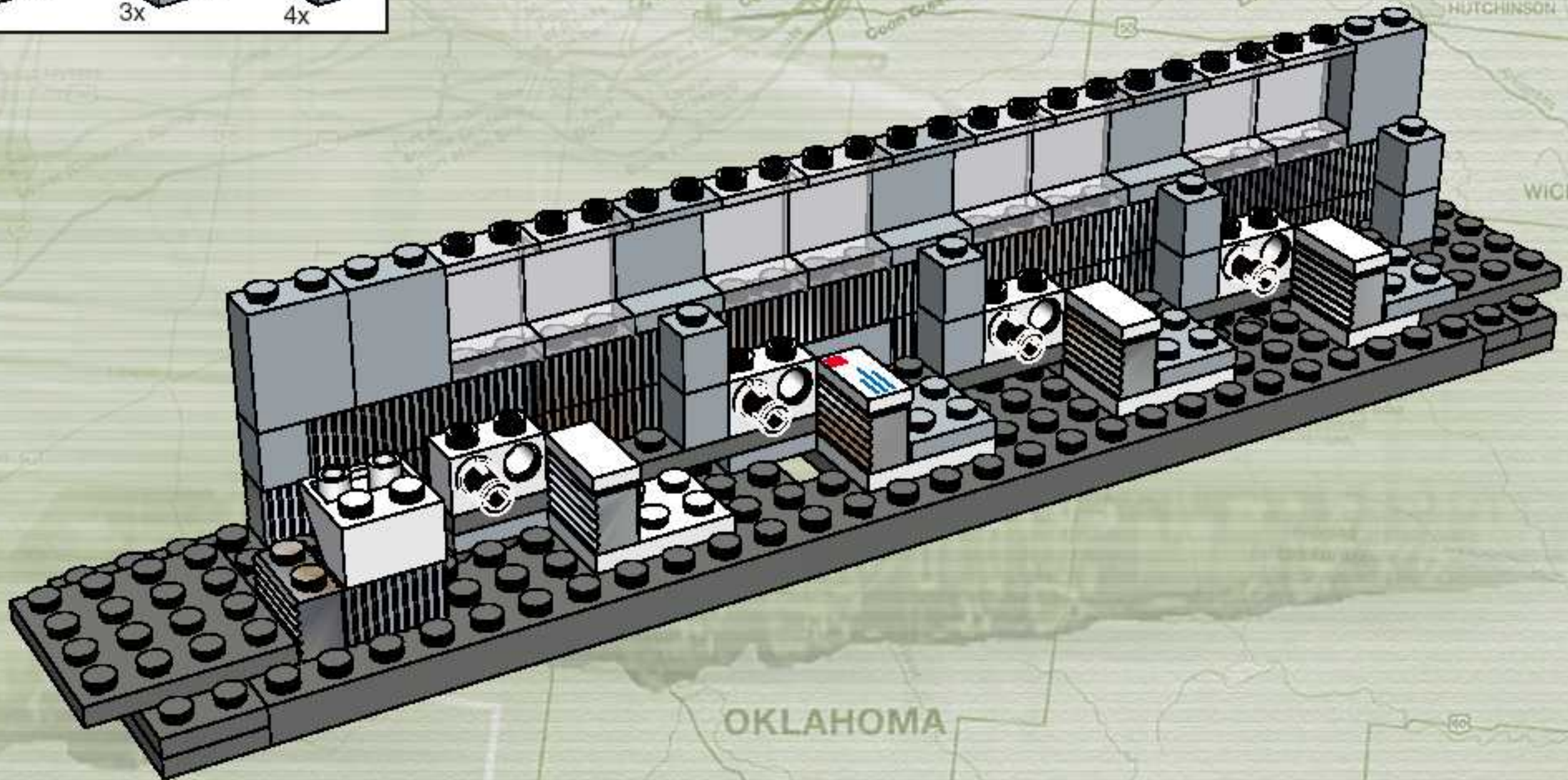


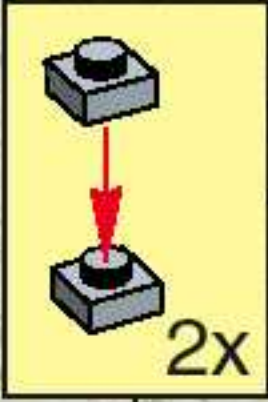
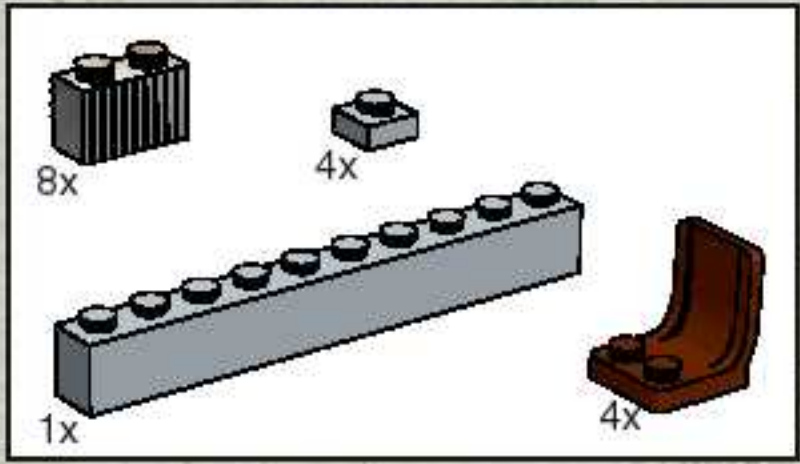
5



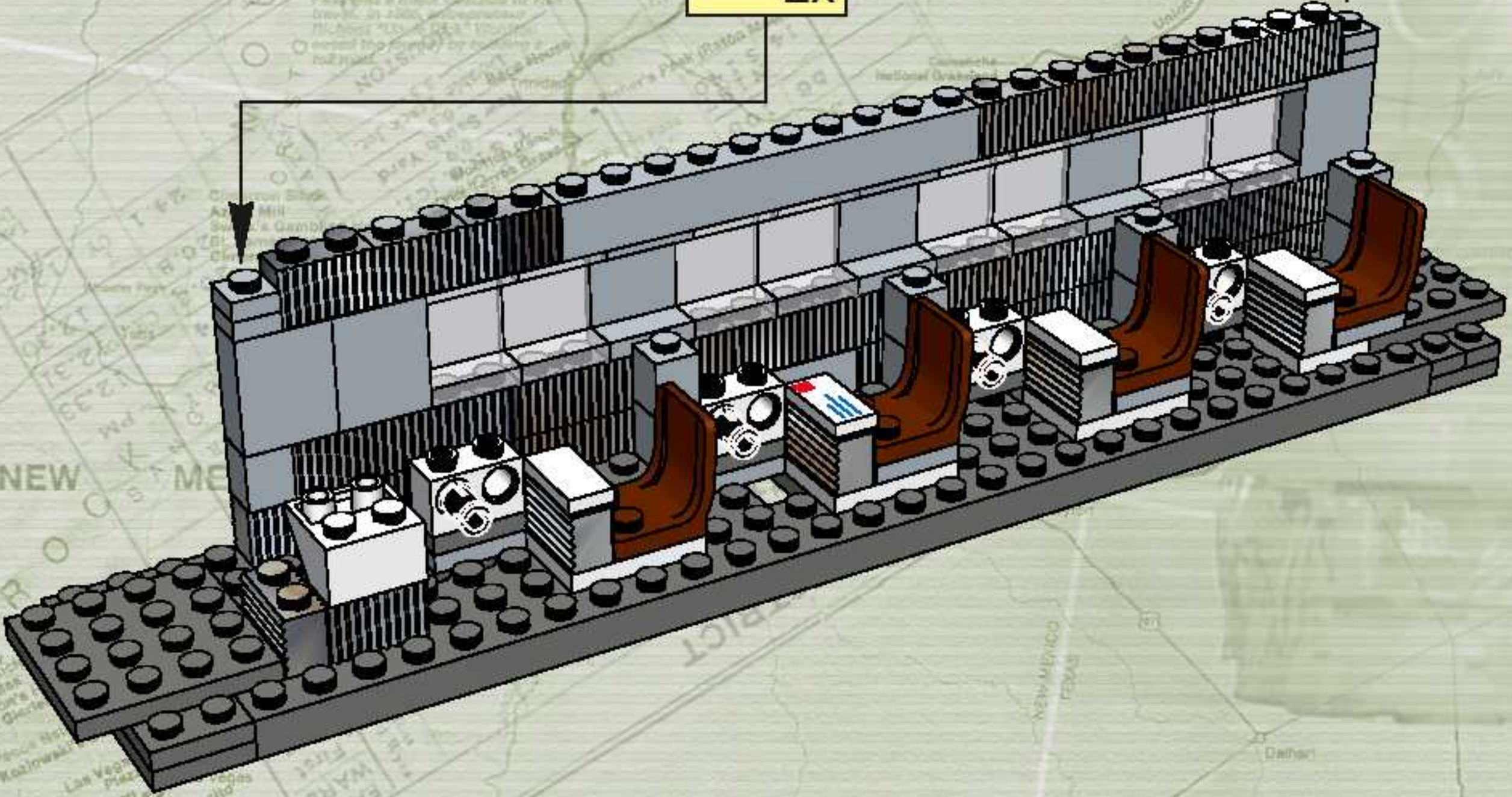


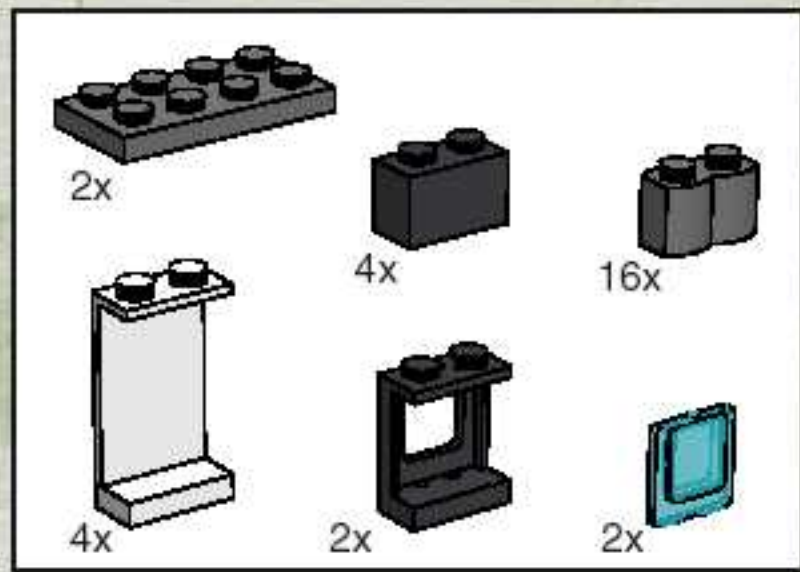
6



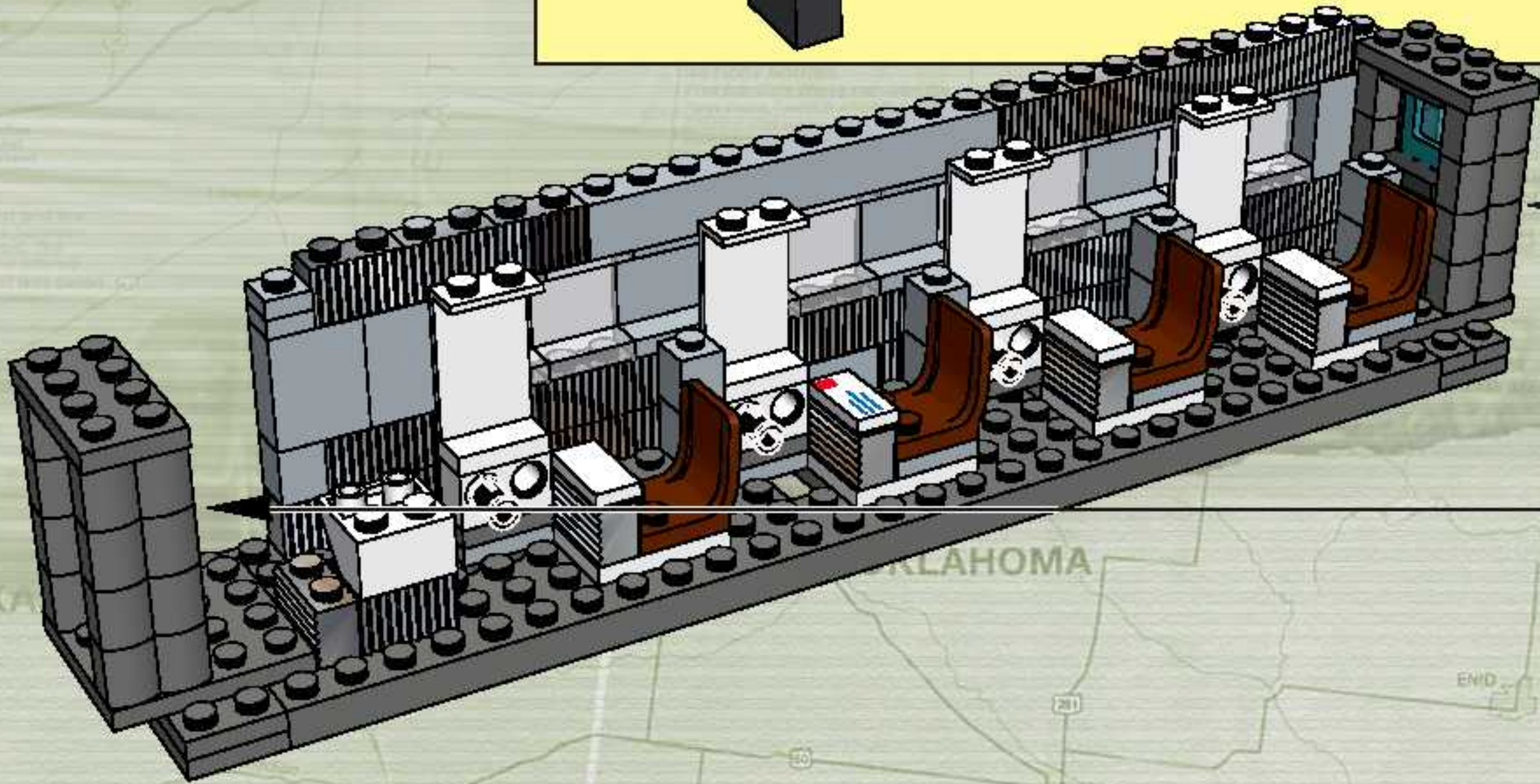
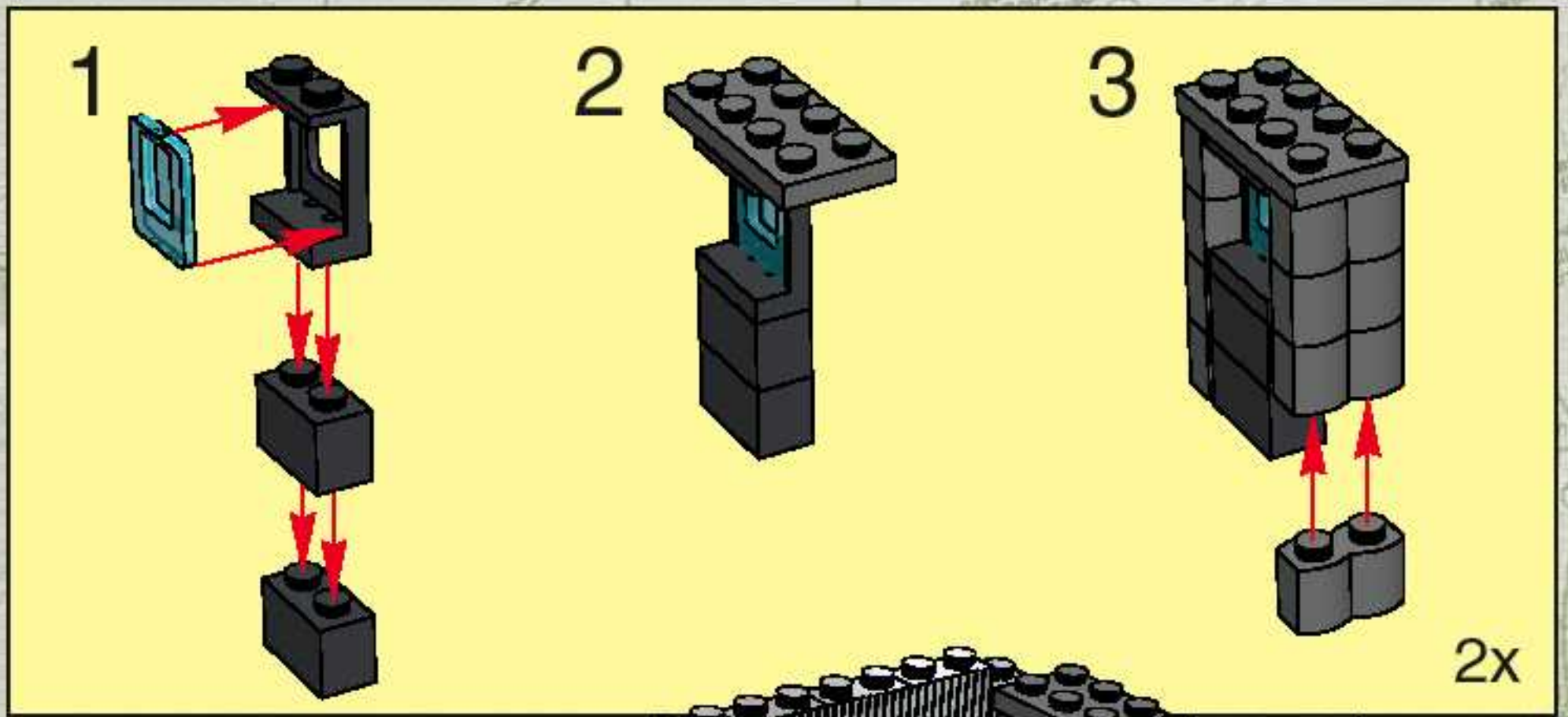


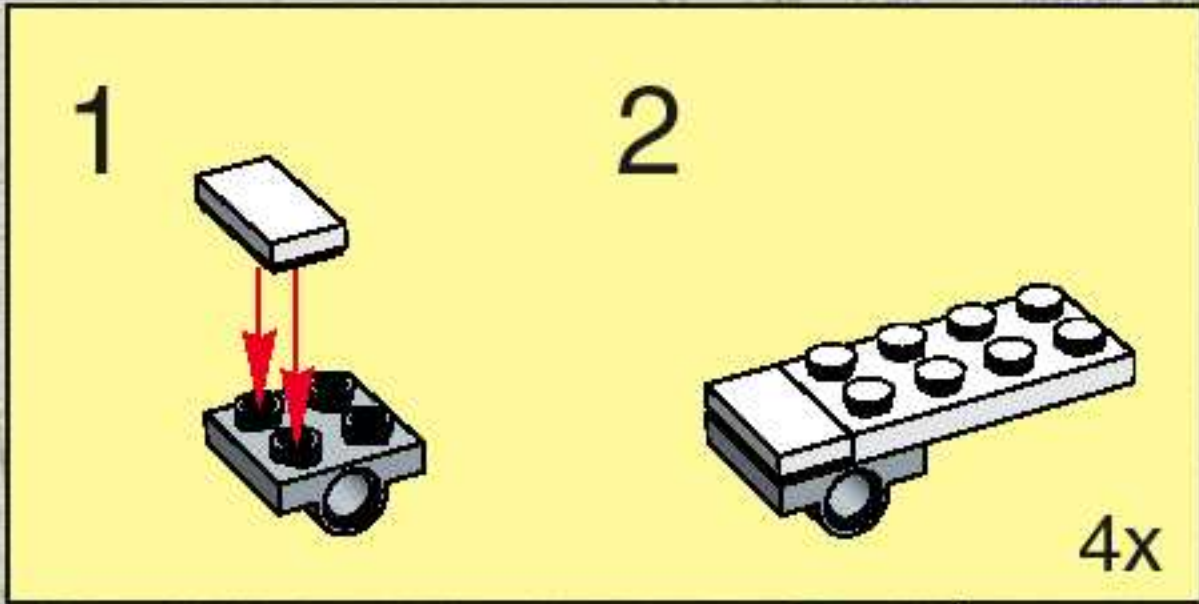
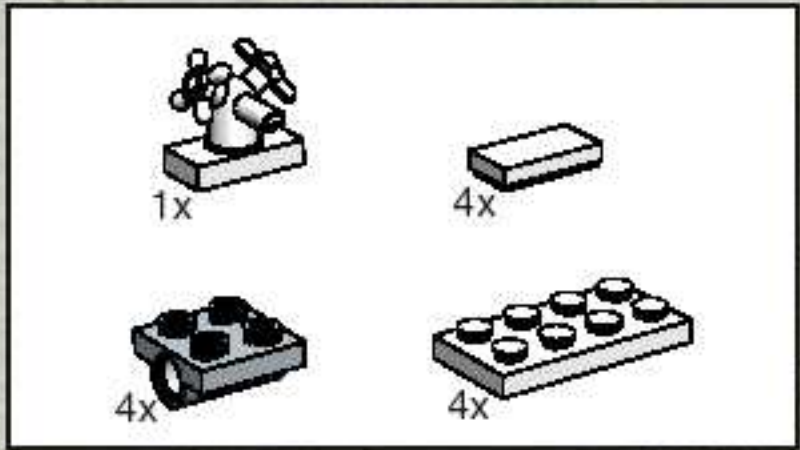
7



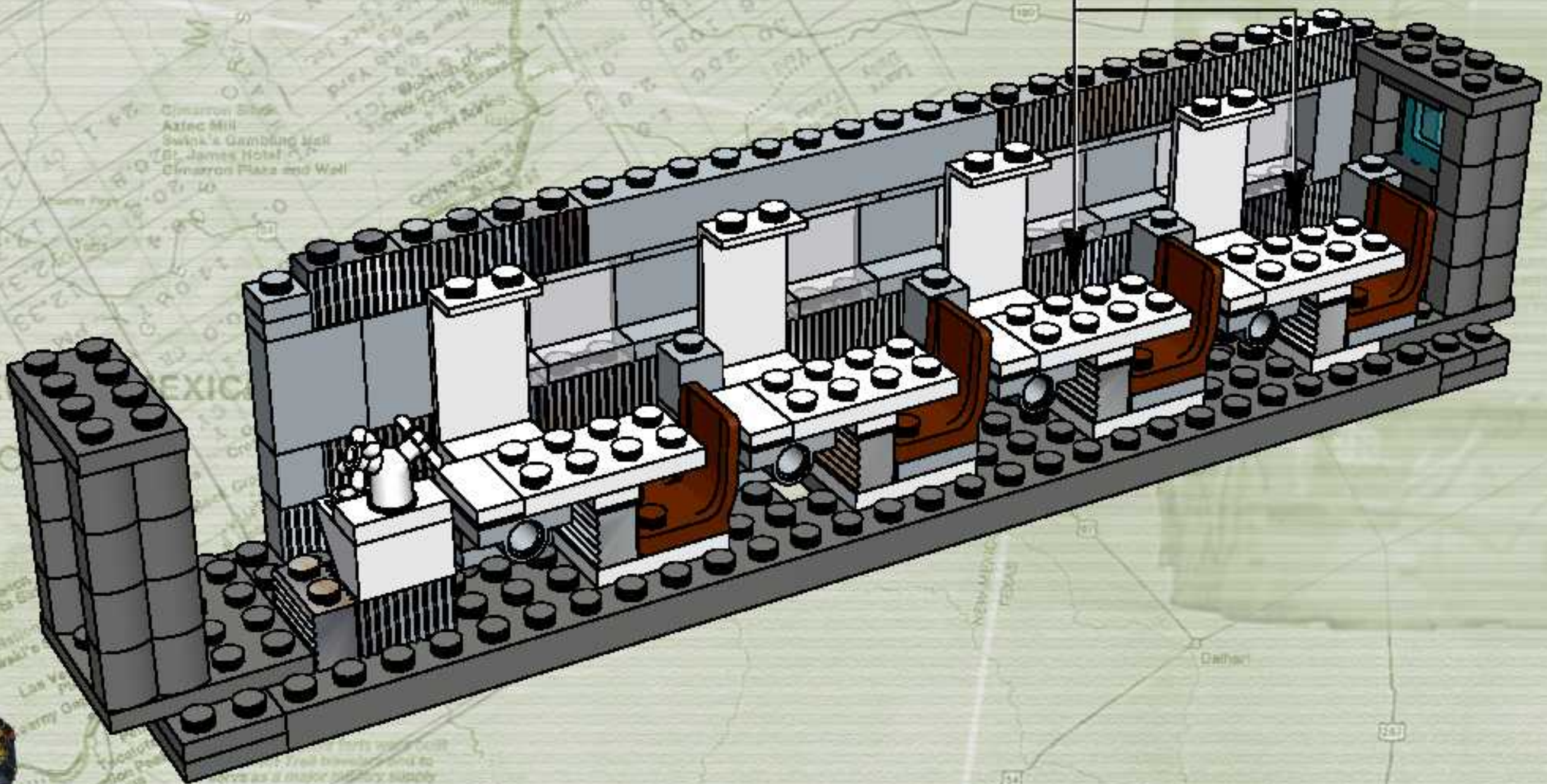


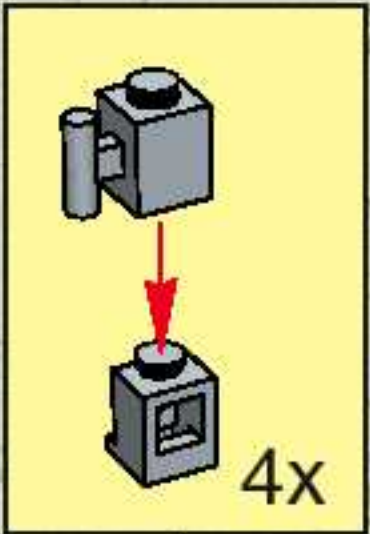
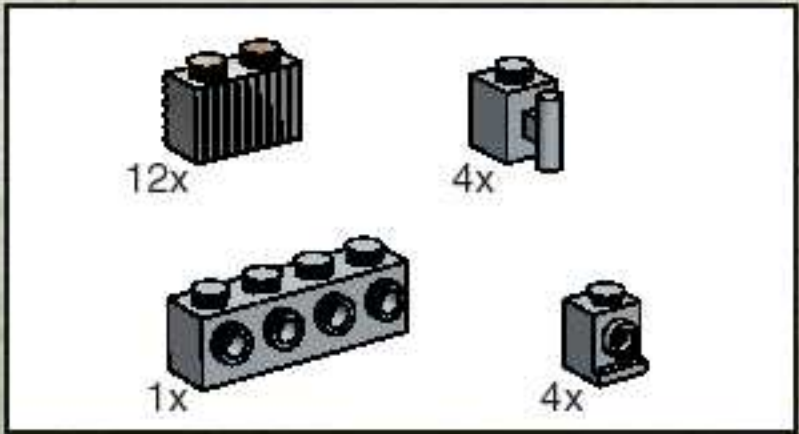
8



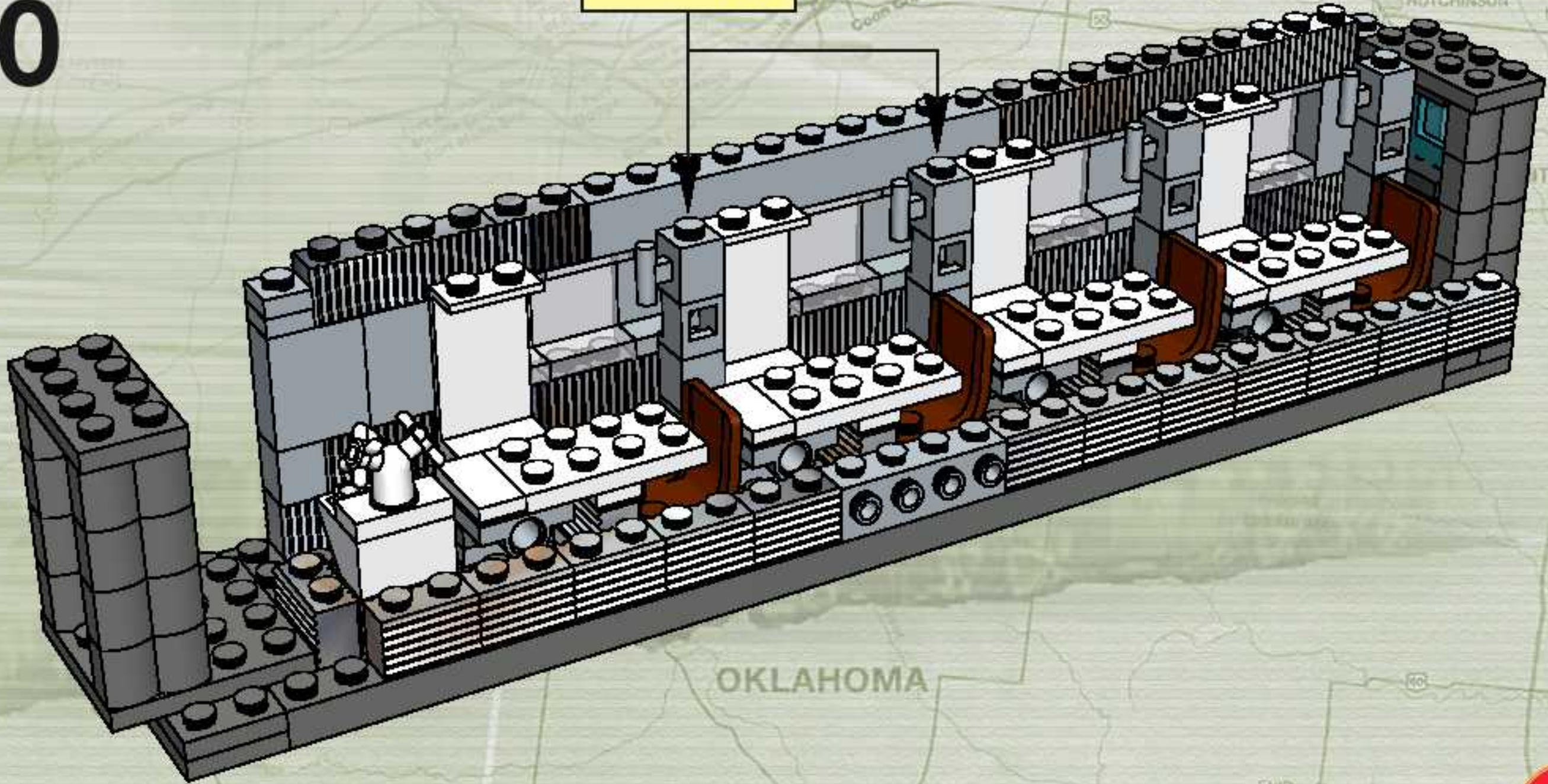


9





10



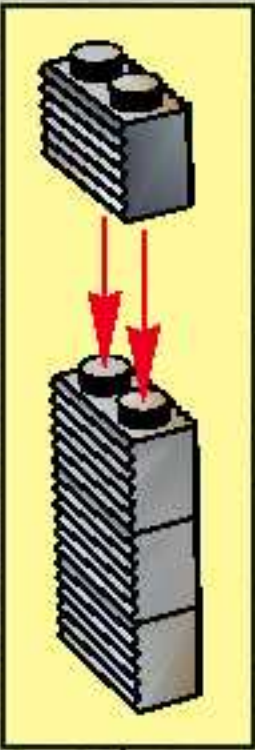
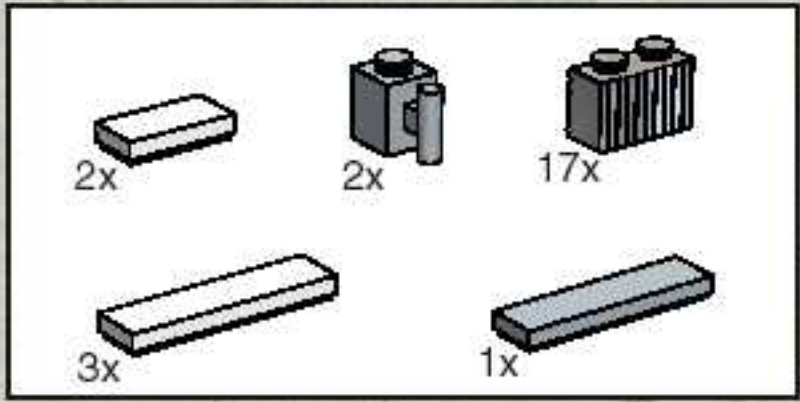
TEXAS

OKLAHOMA

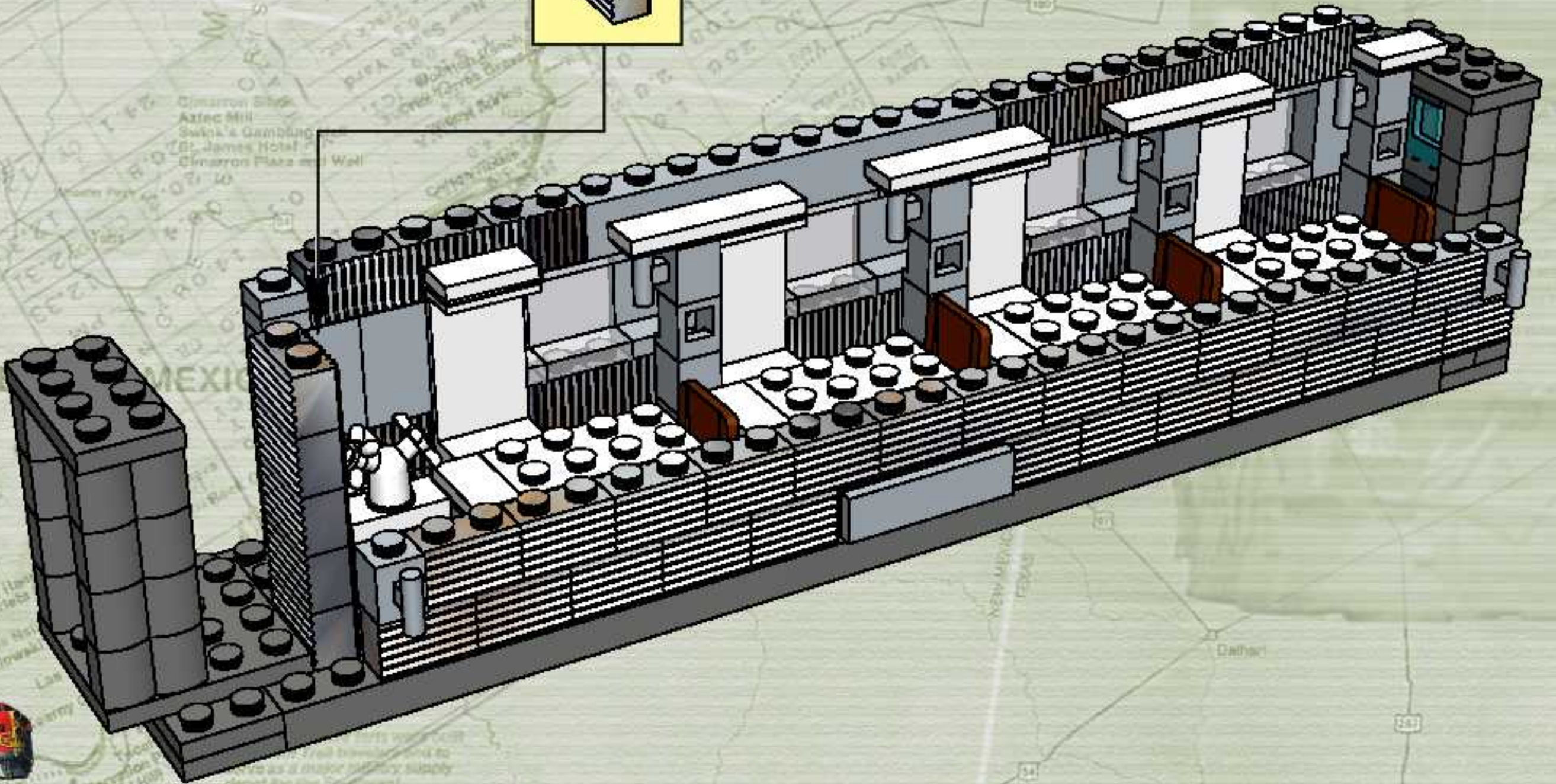
OKLAHOMA

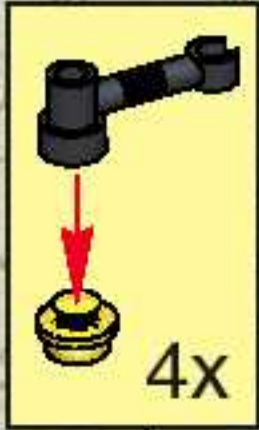
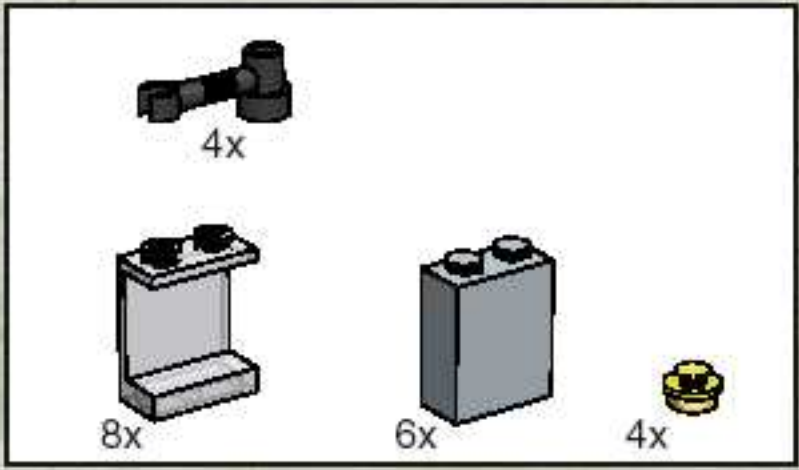
PONCA CITY

END

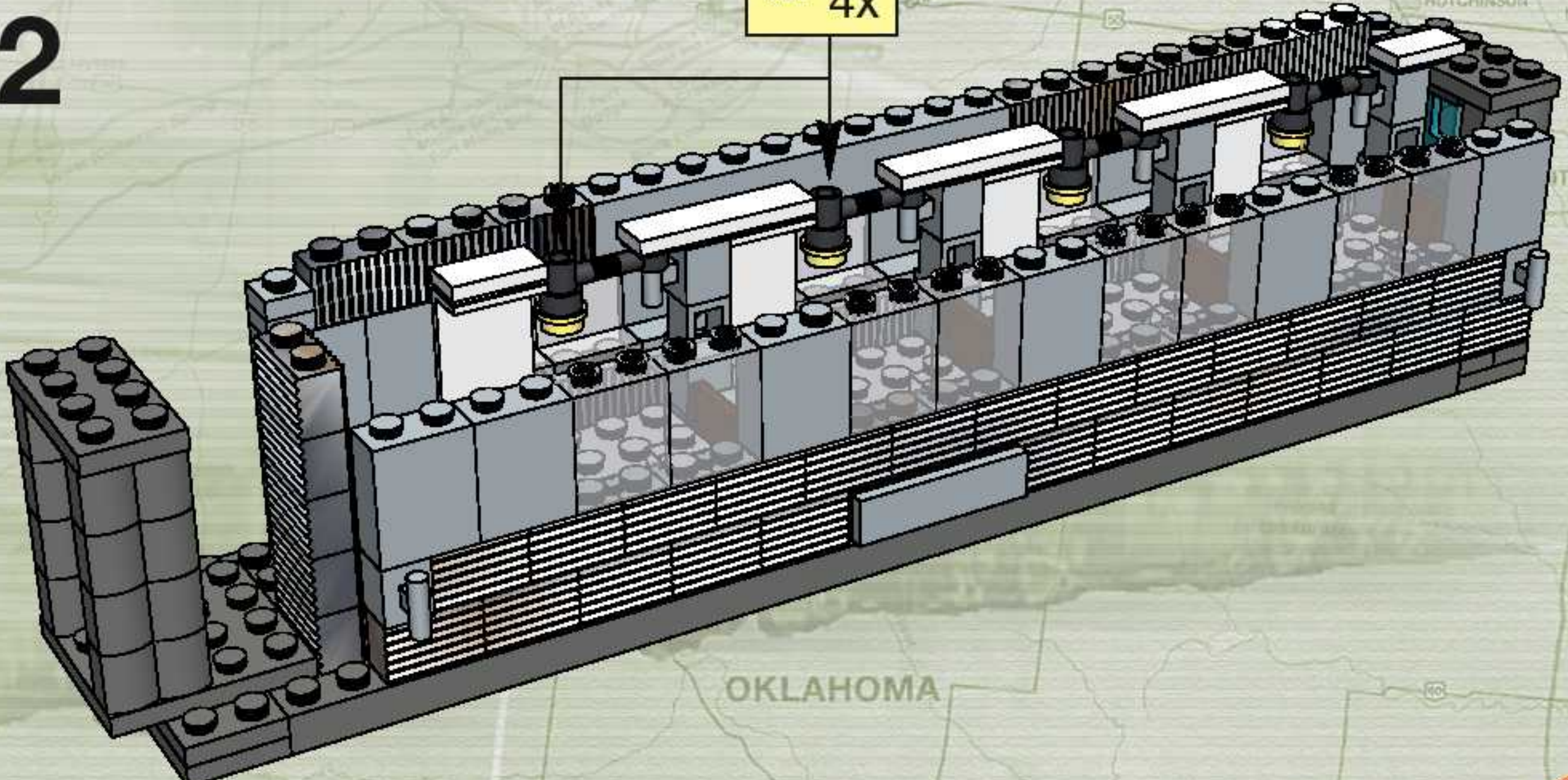


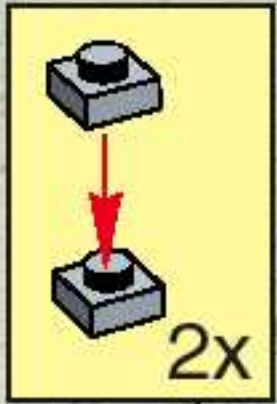
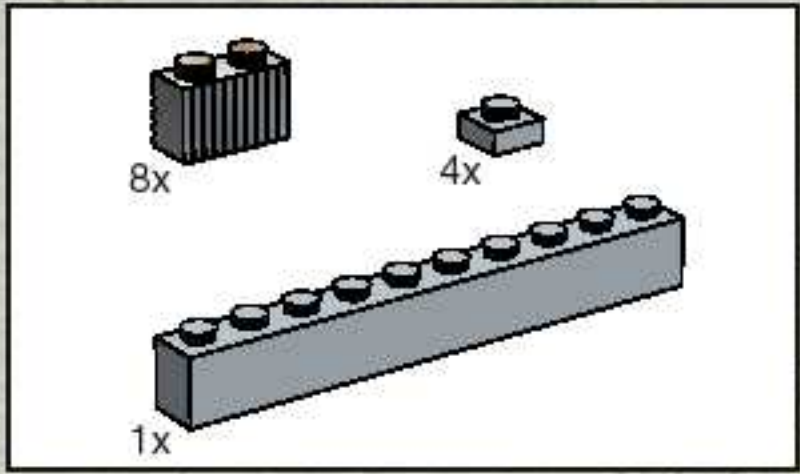
11



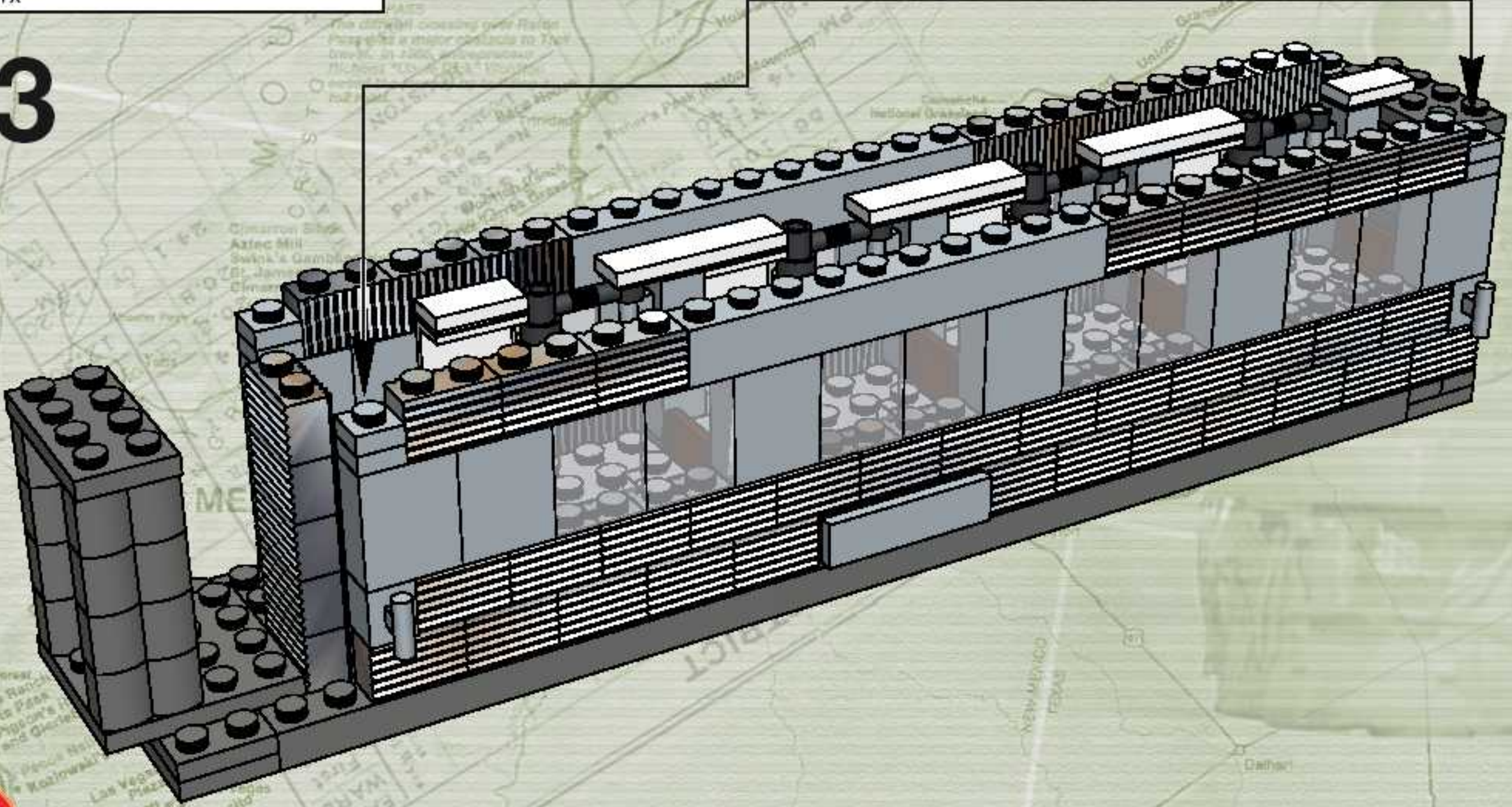


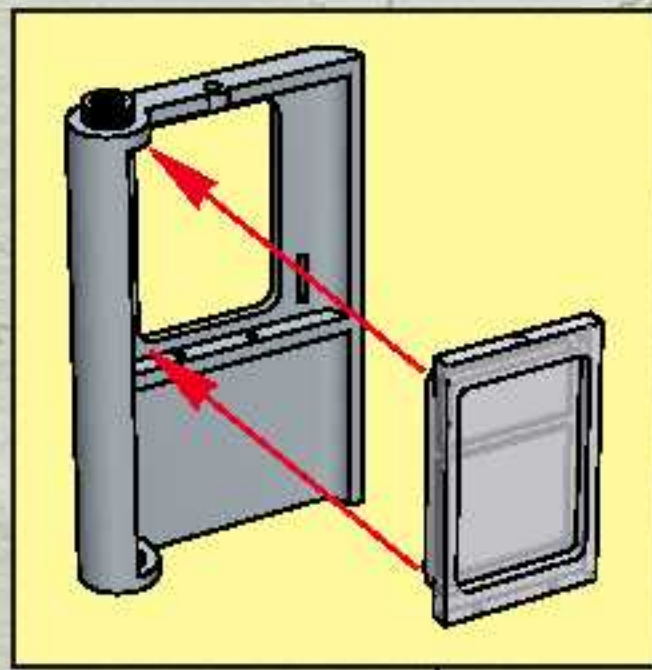
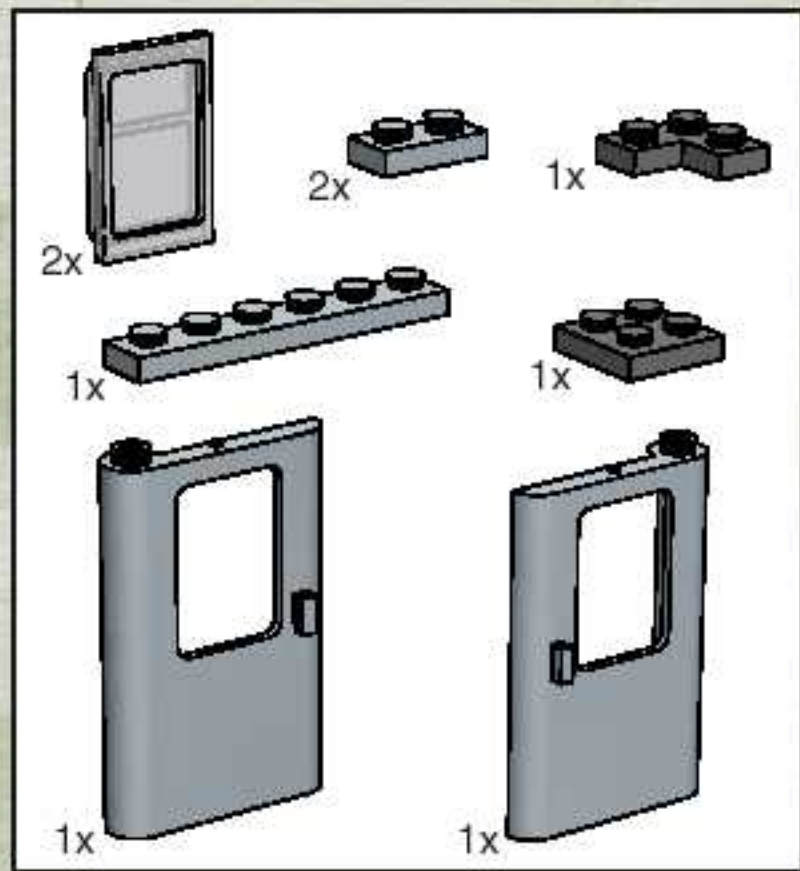
12



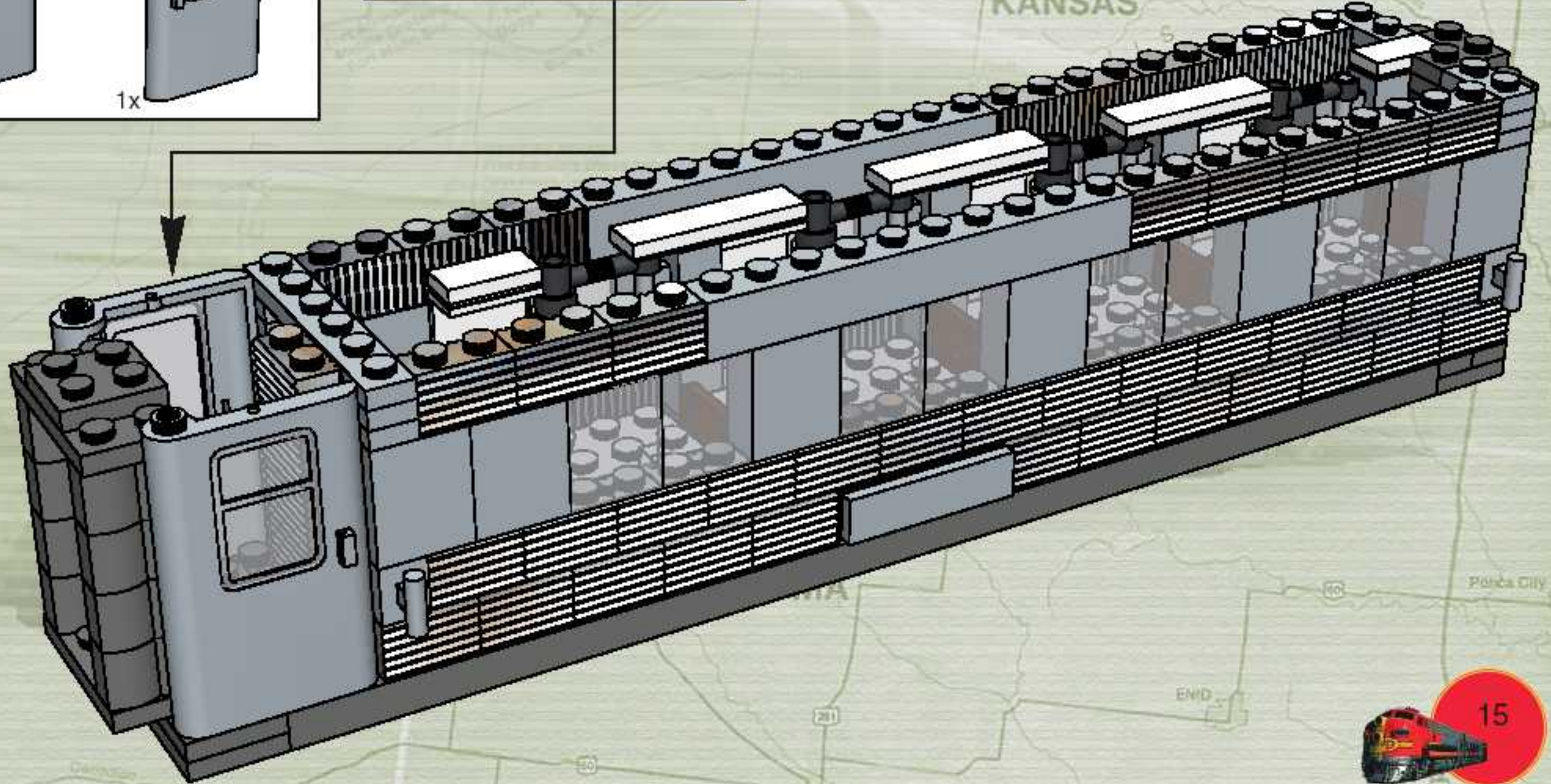


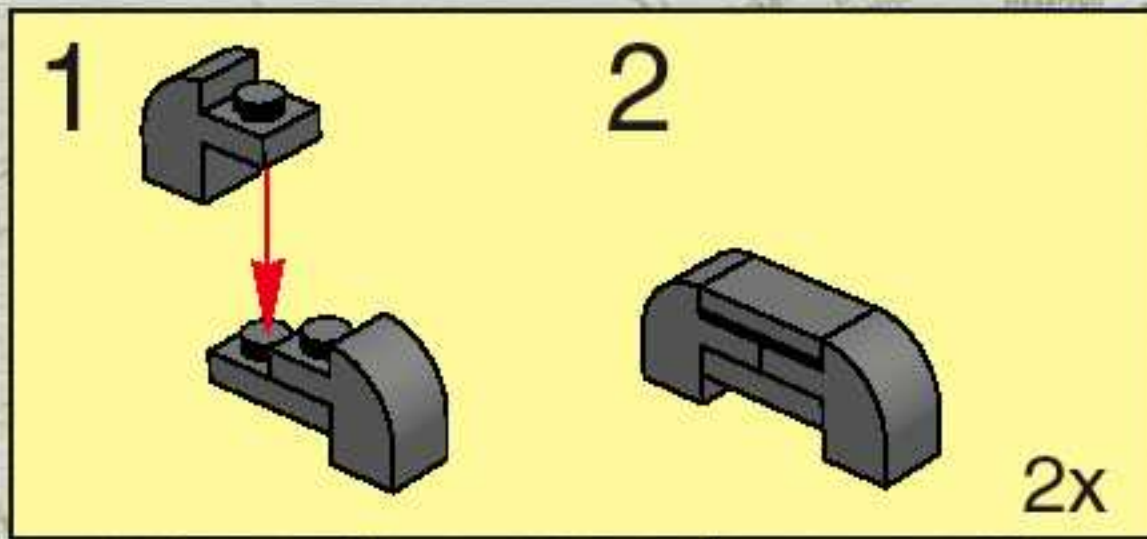
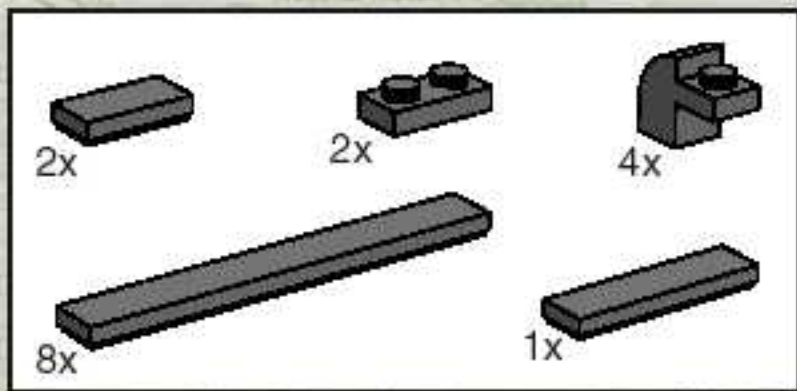
13



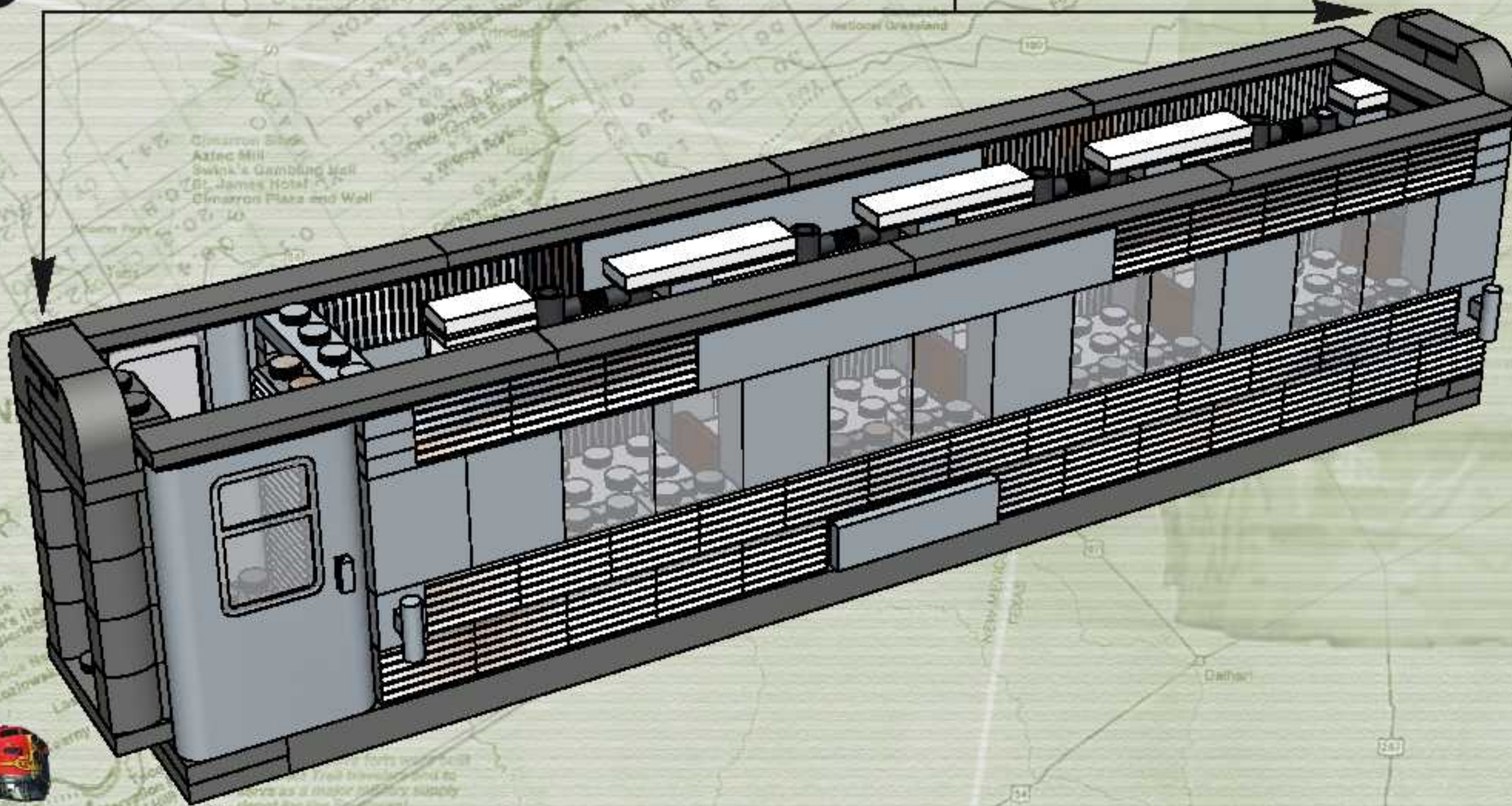


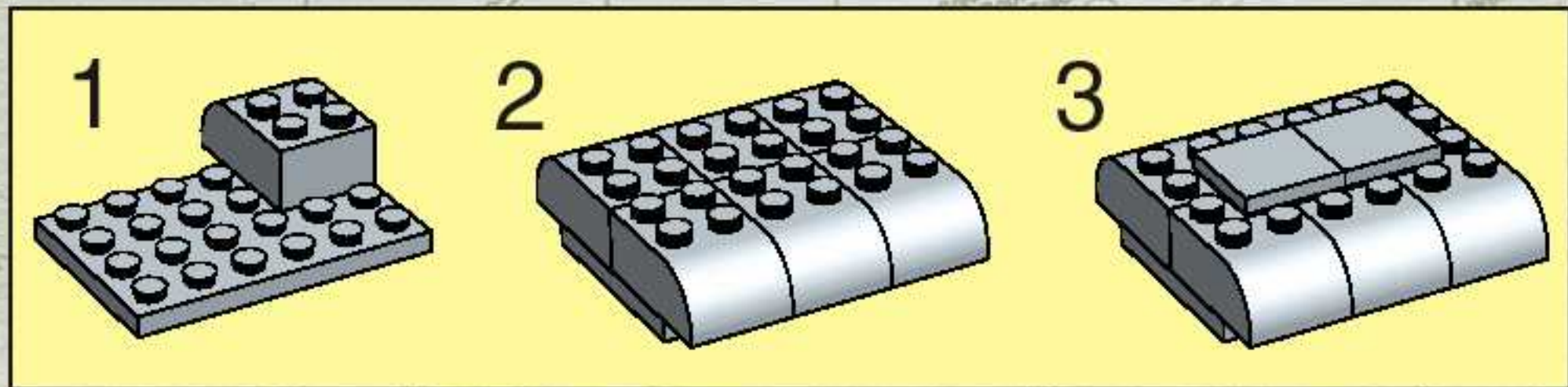
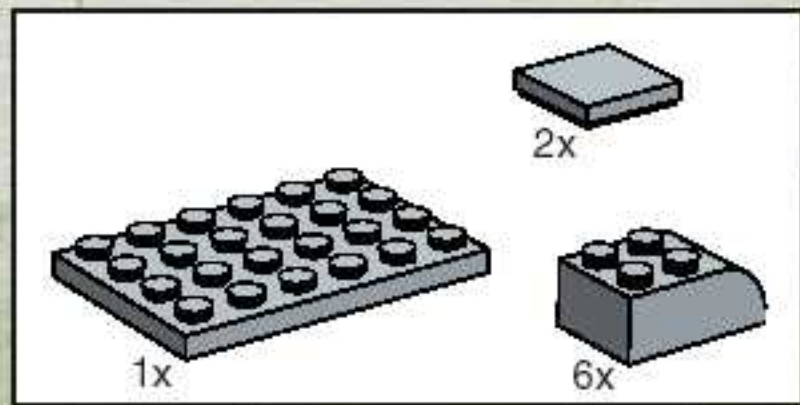
14



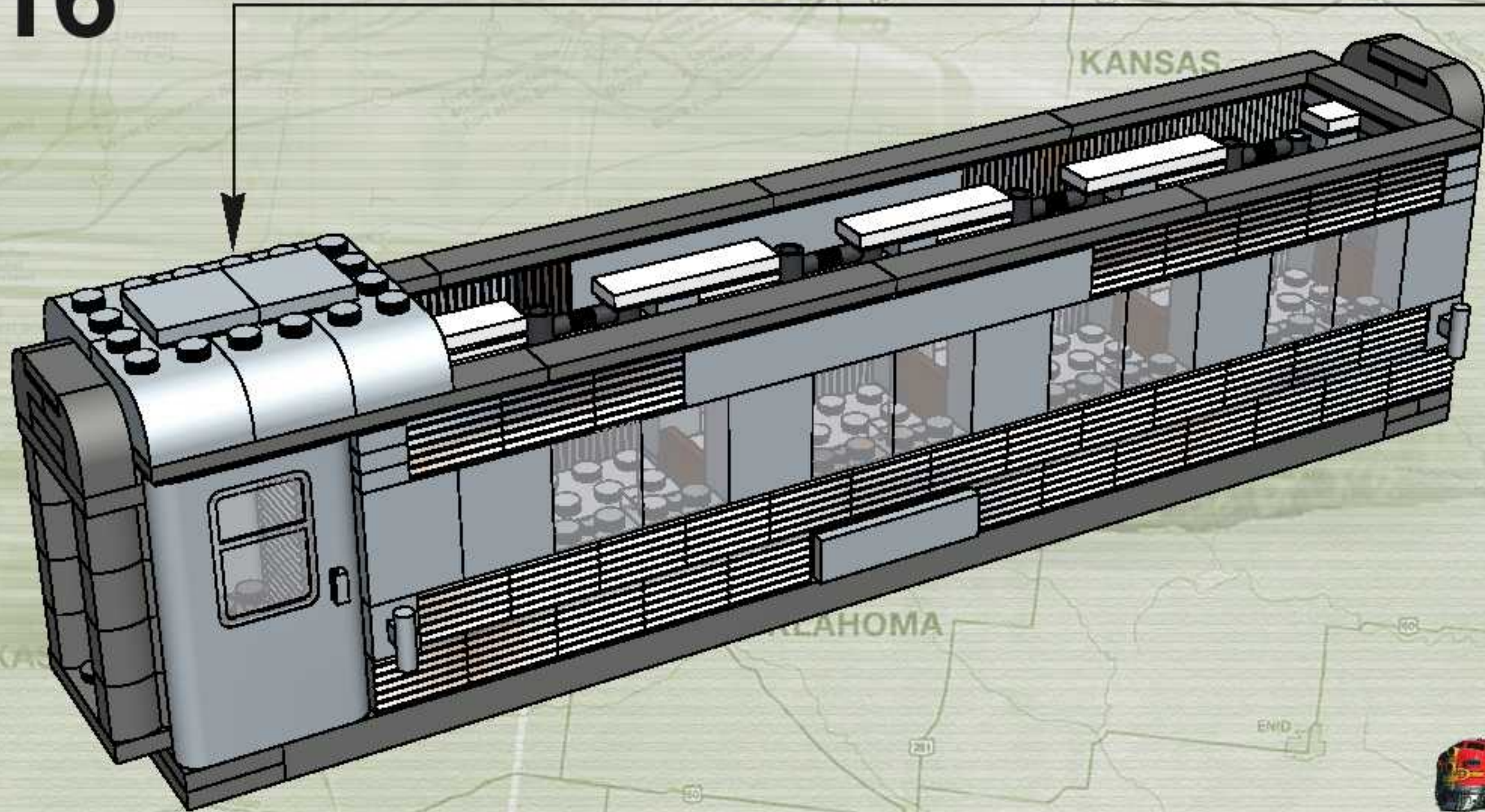


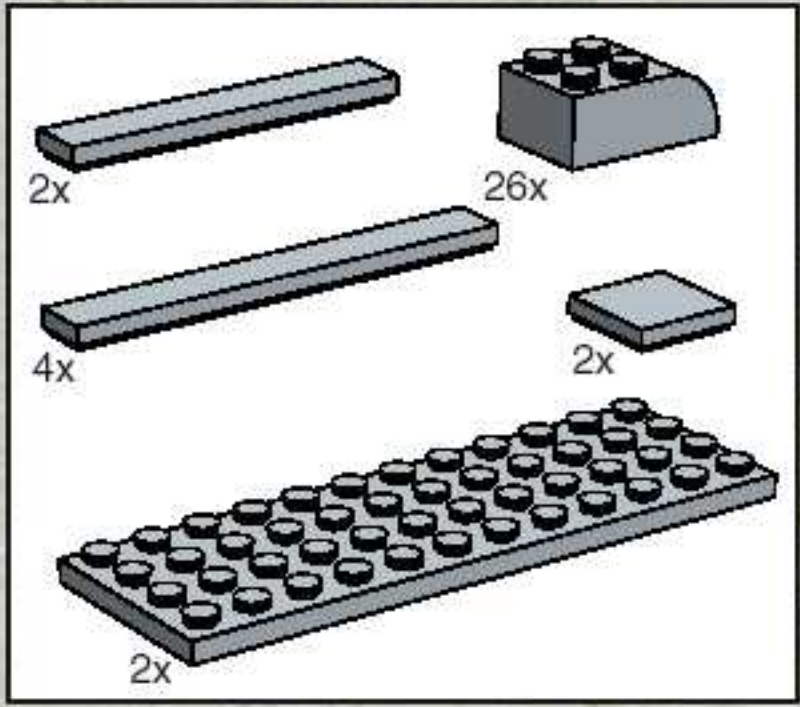
15





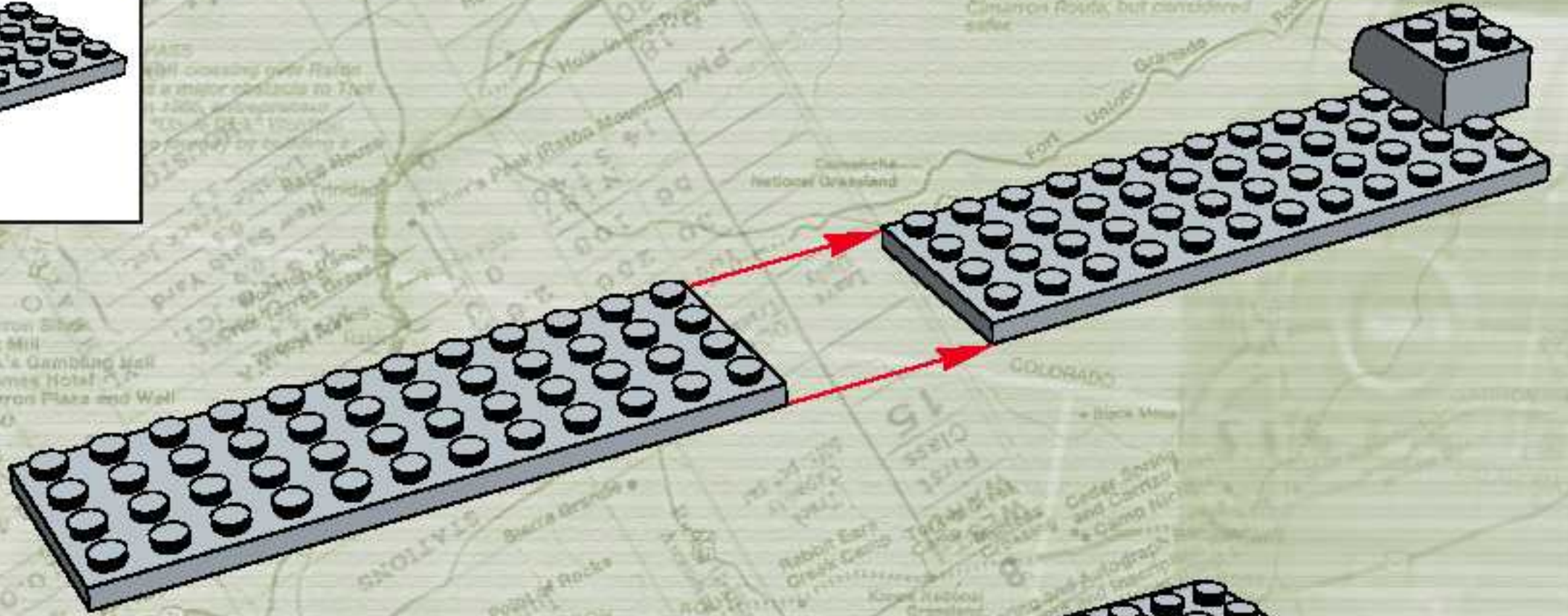
16



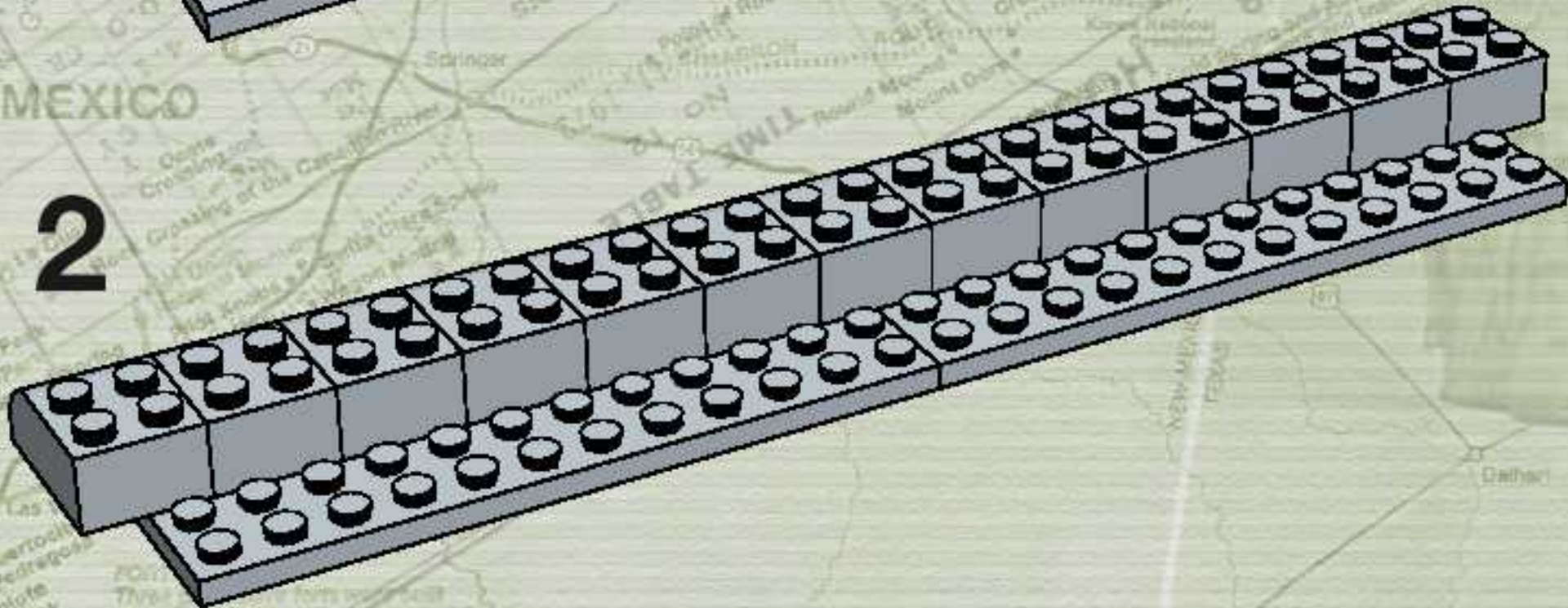


17

1



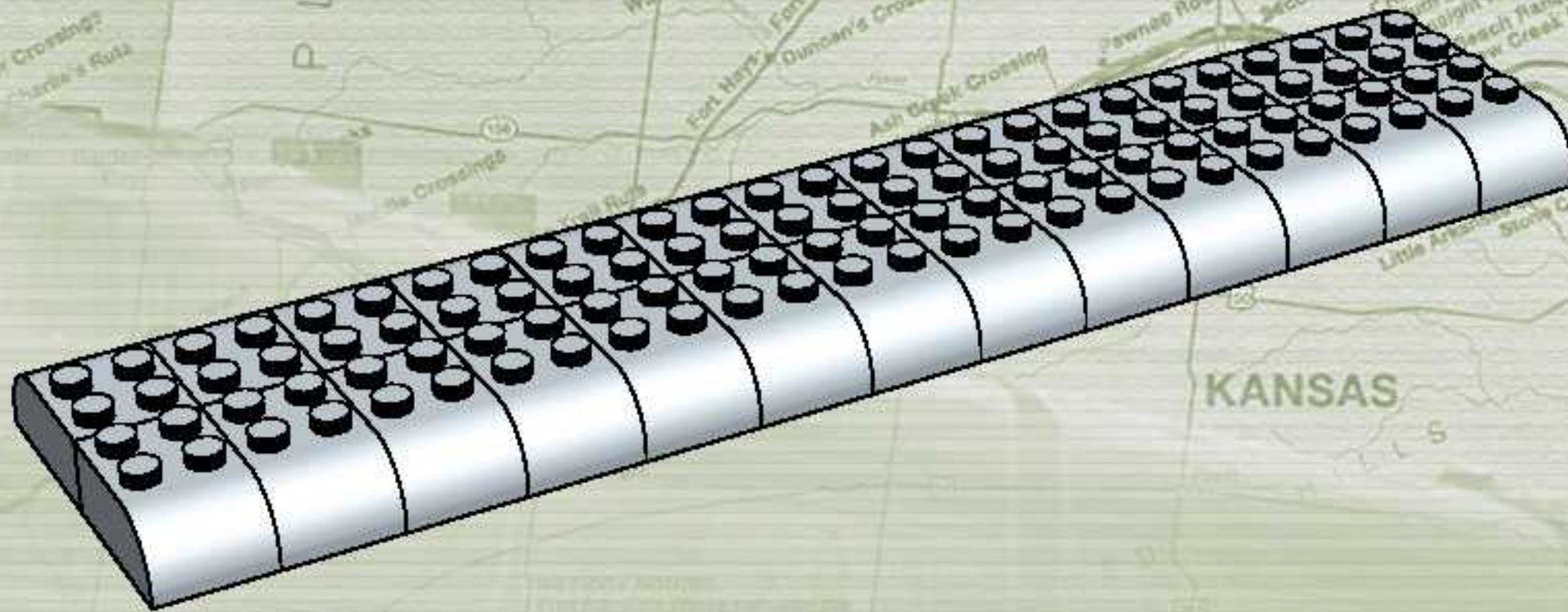
2



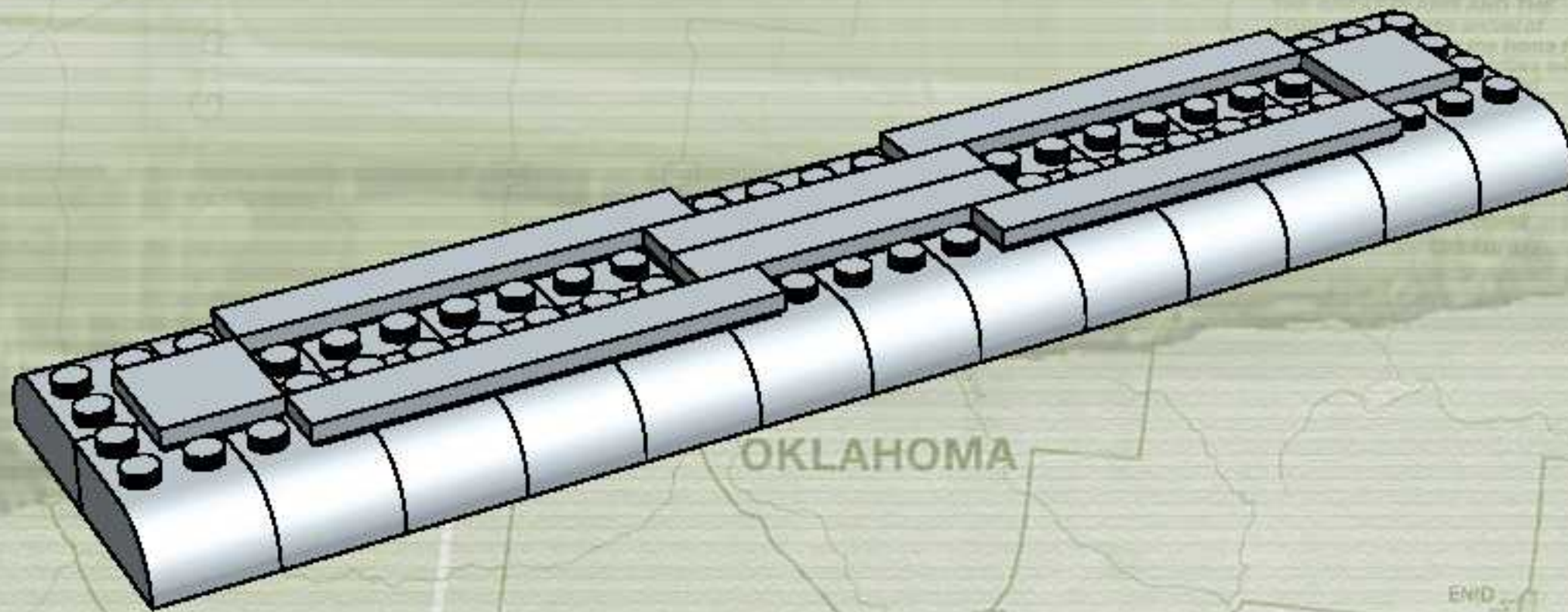
18

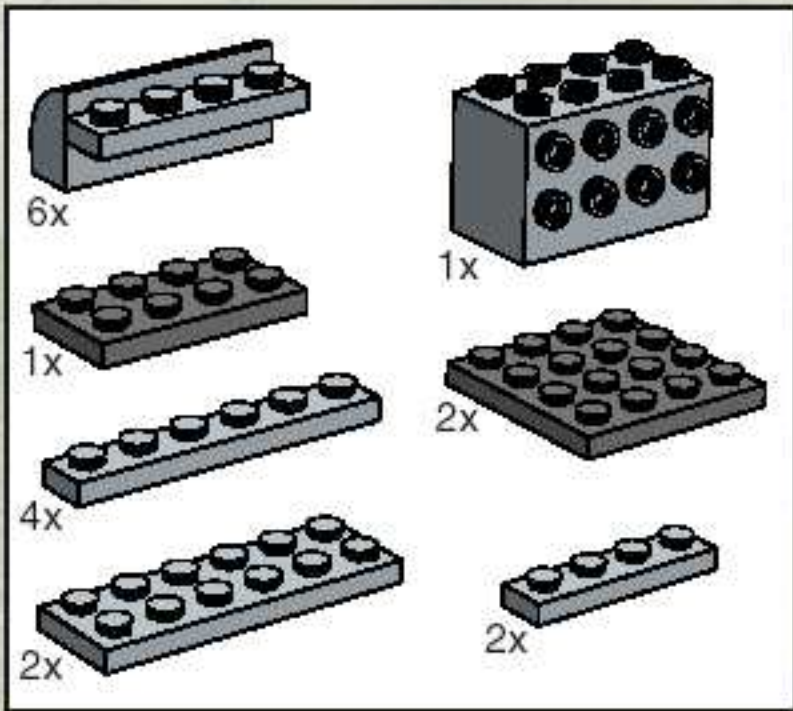
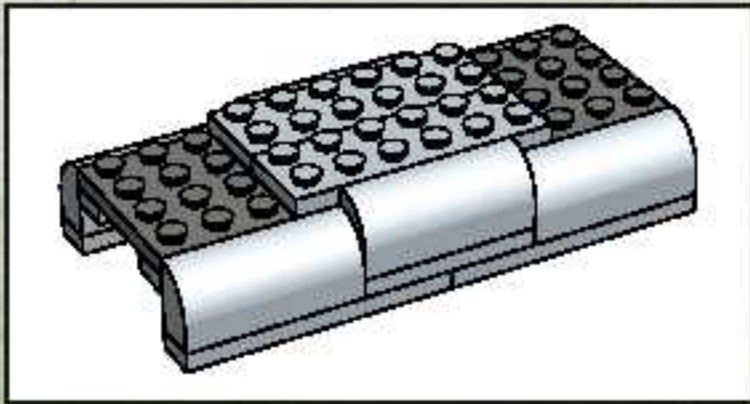


3



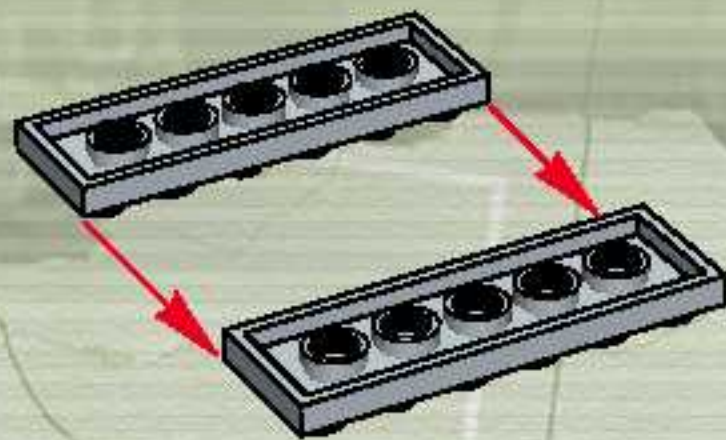
4



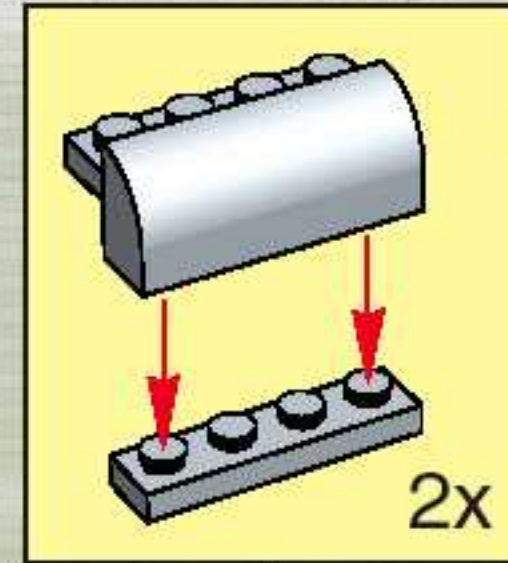
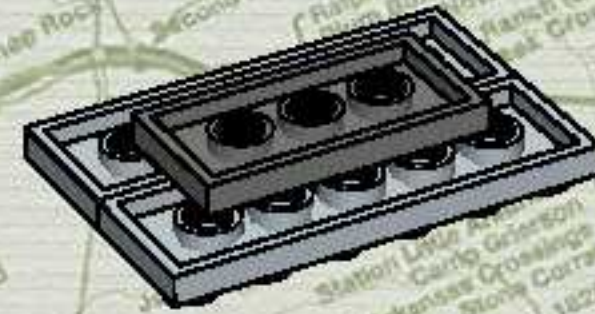


18

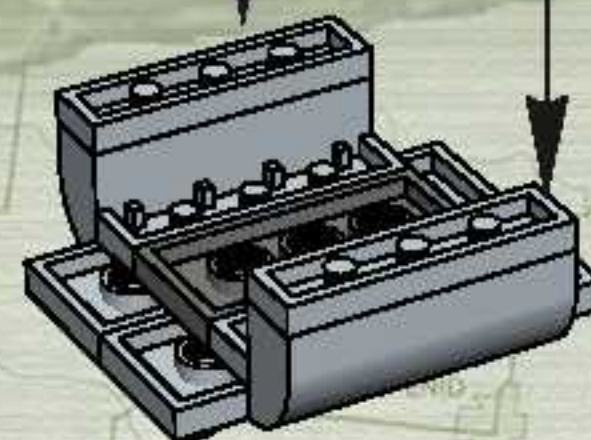
1



2

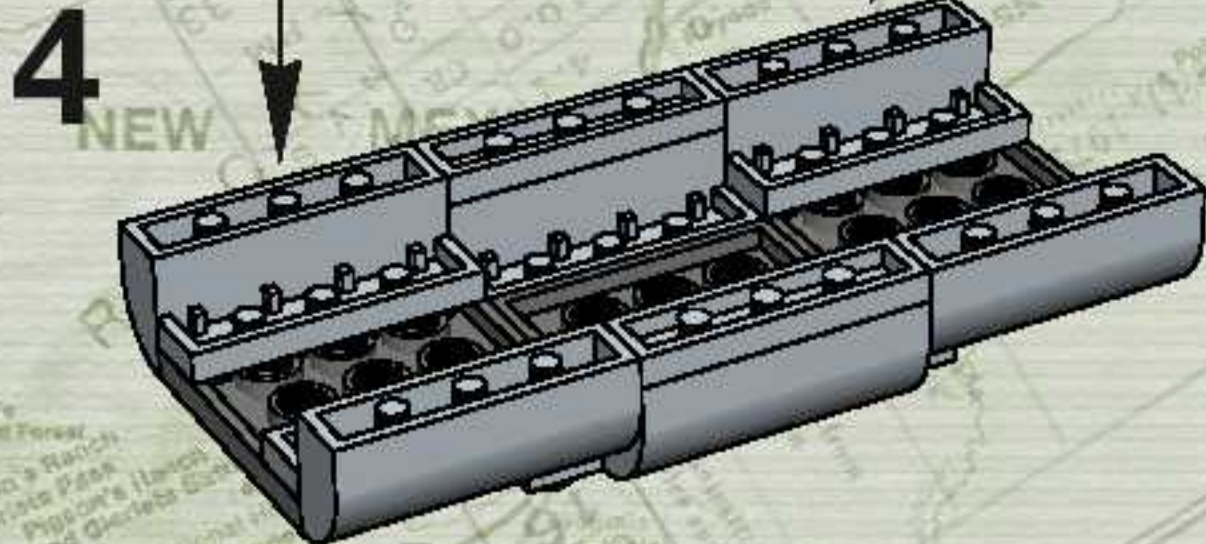
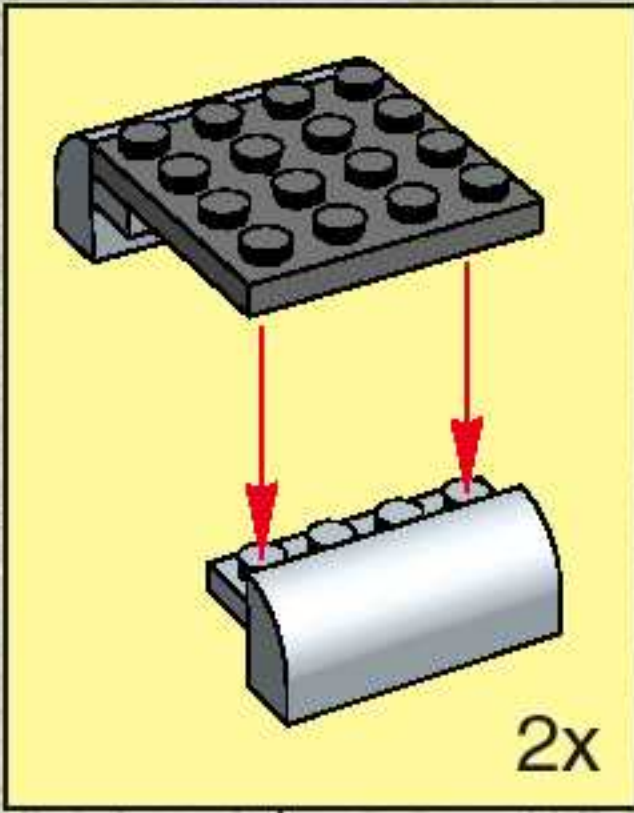


3

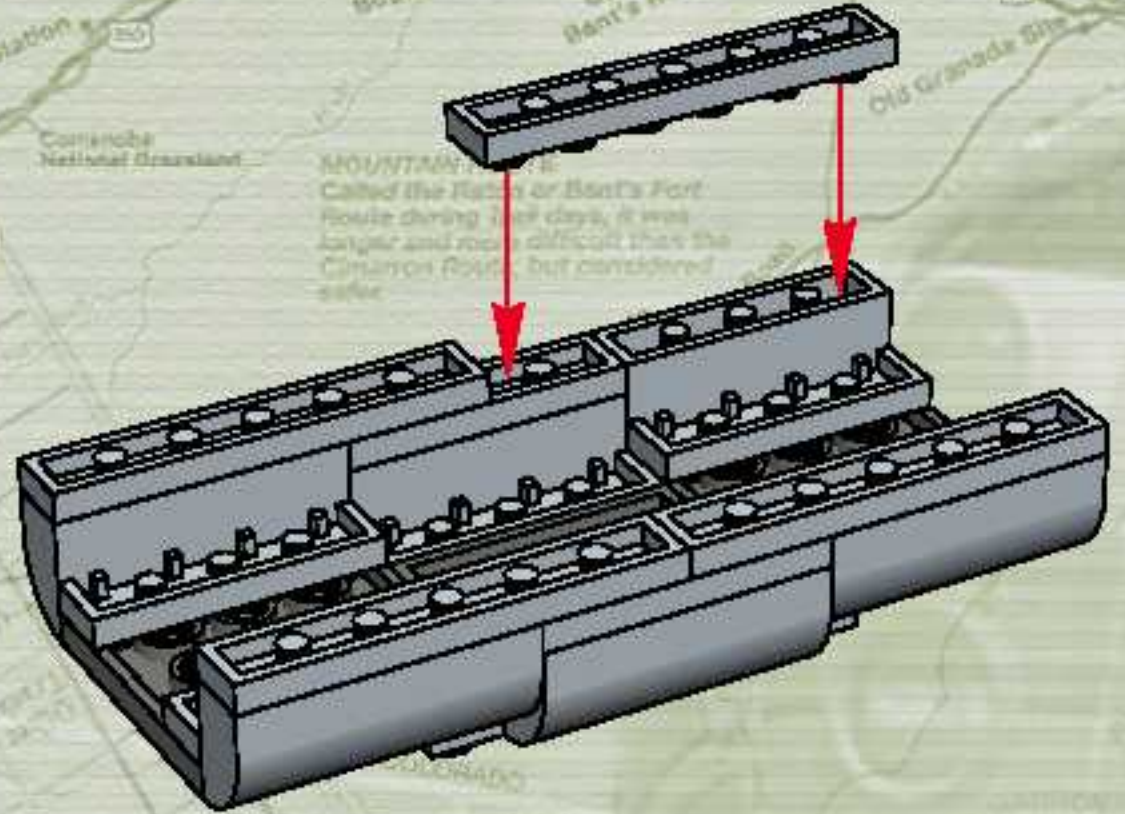


21

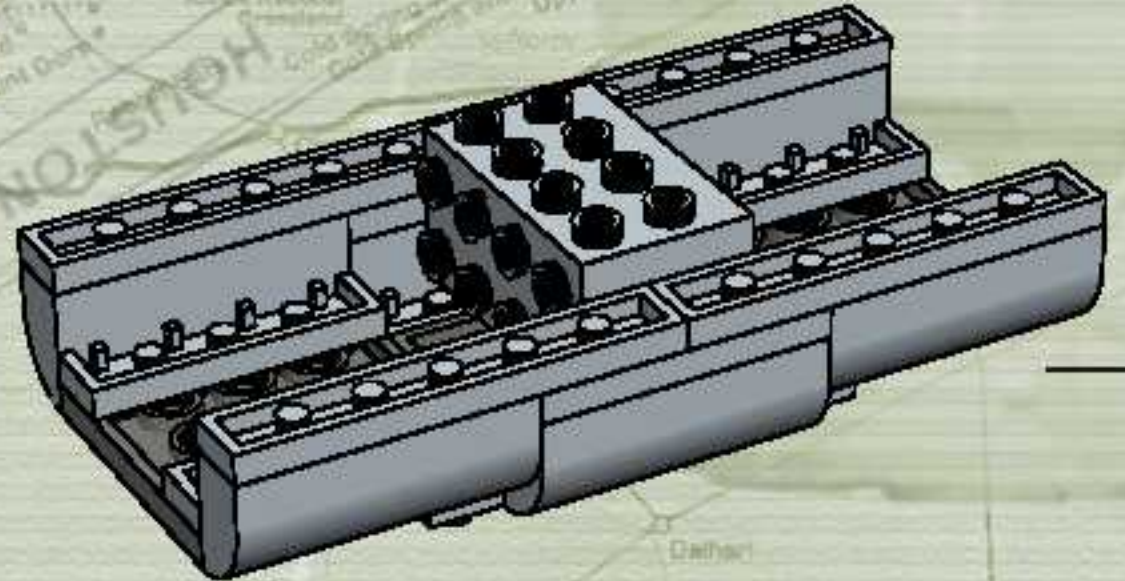




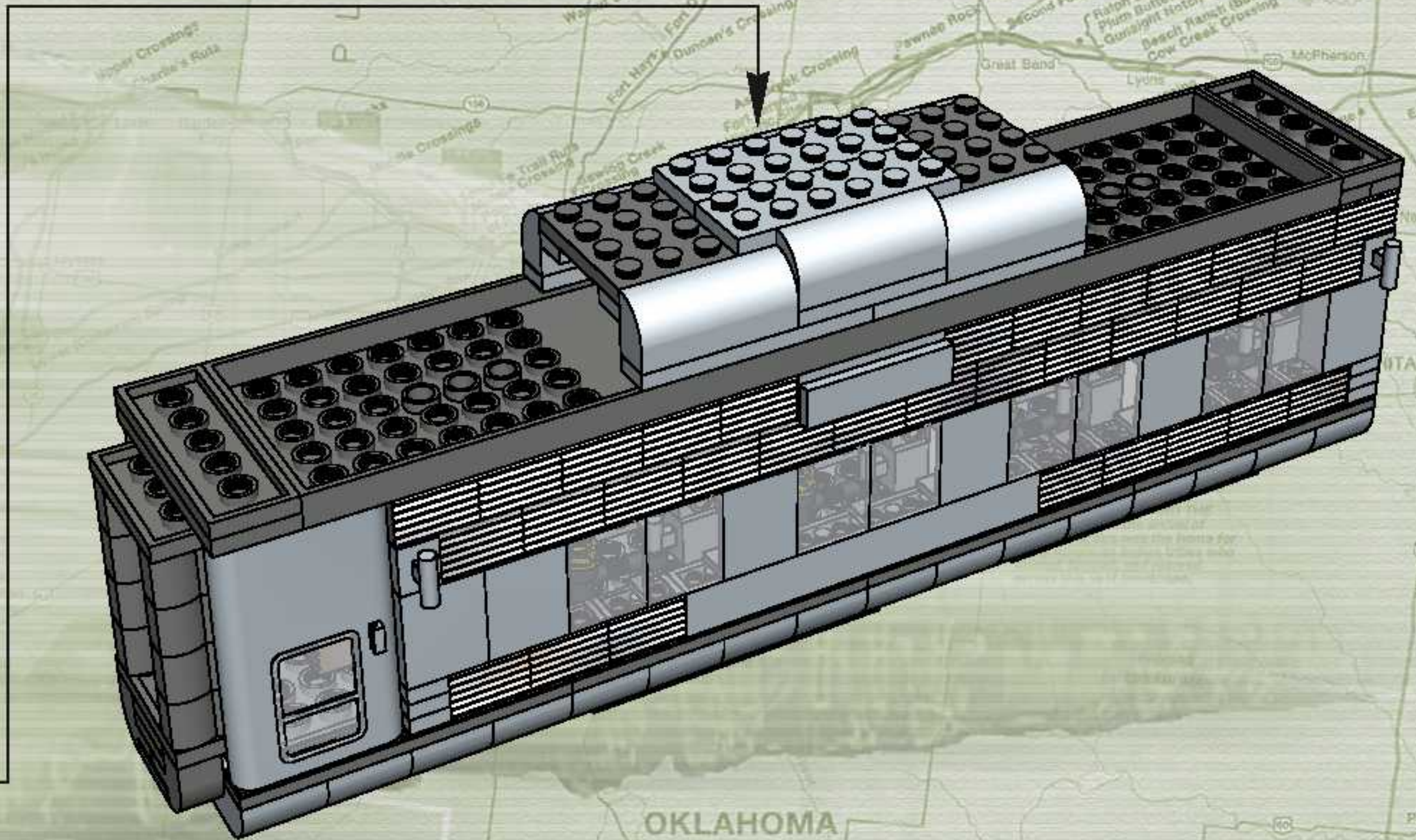
5

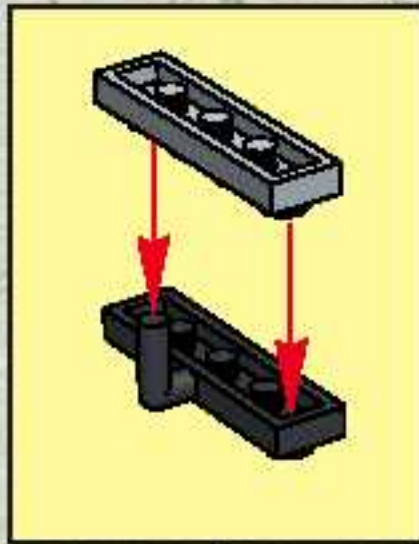


6

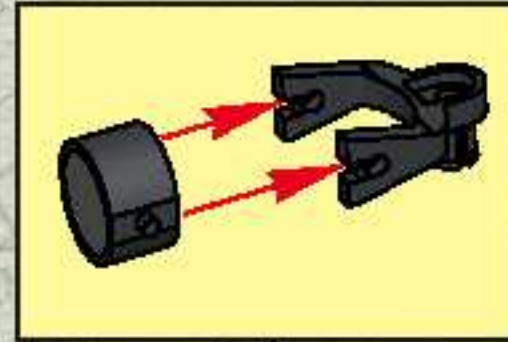
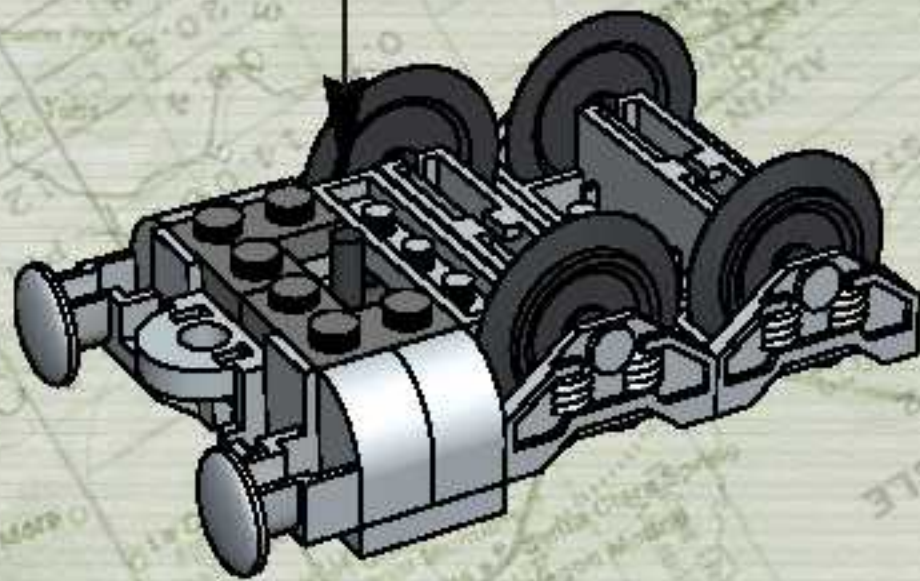


22

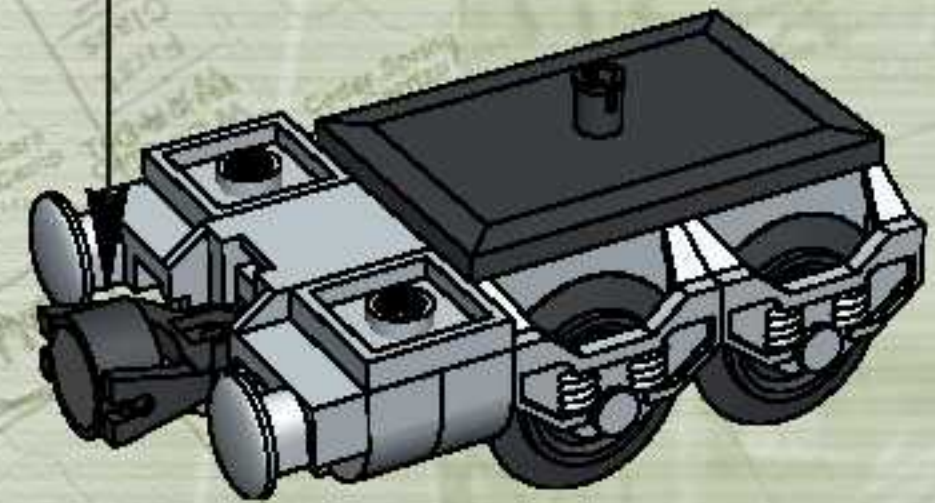




5



6

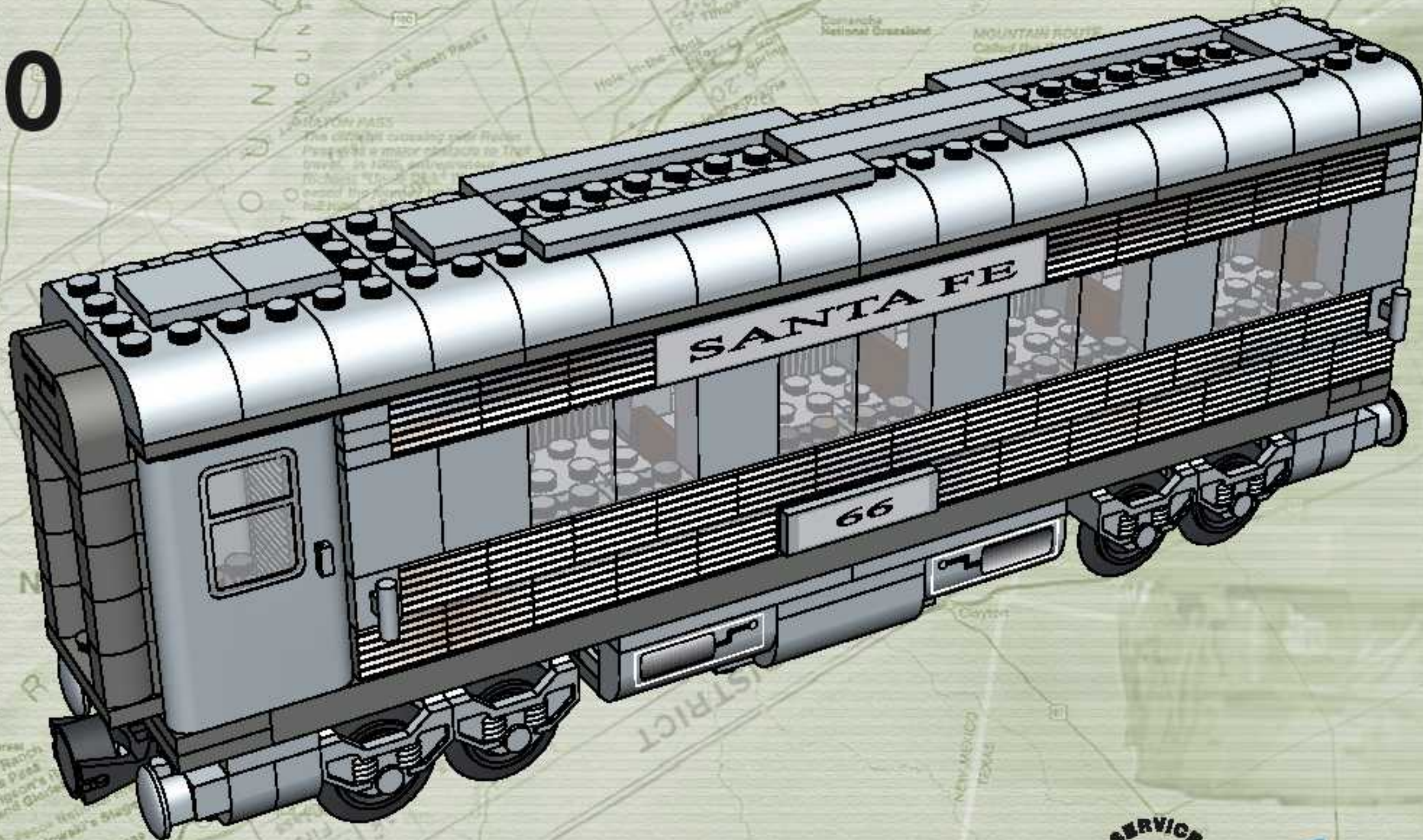


2x

26



20



©2002 The LEGO Group.

